

**WING HOLDER dx/rh/re**

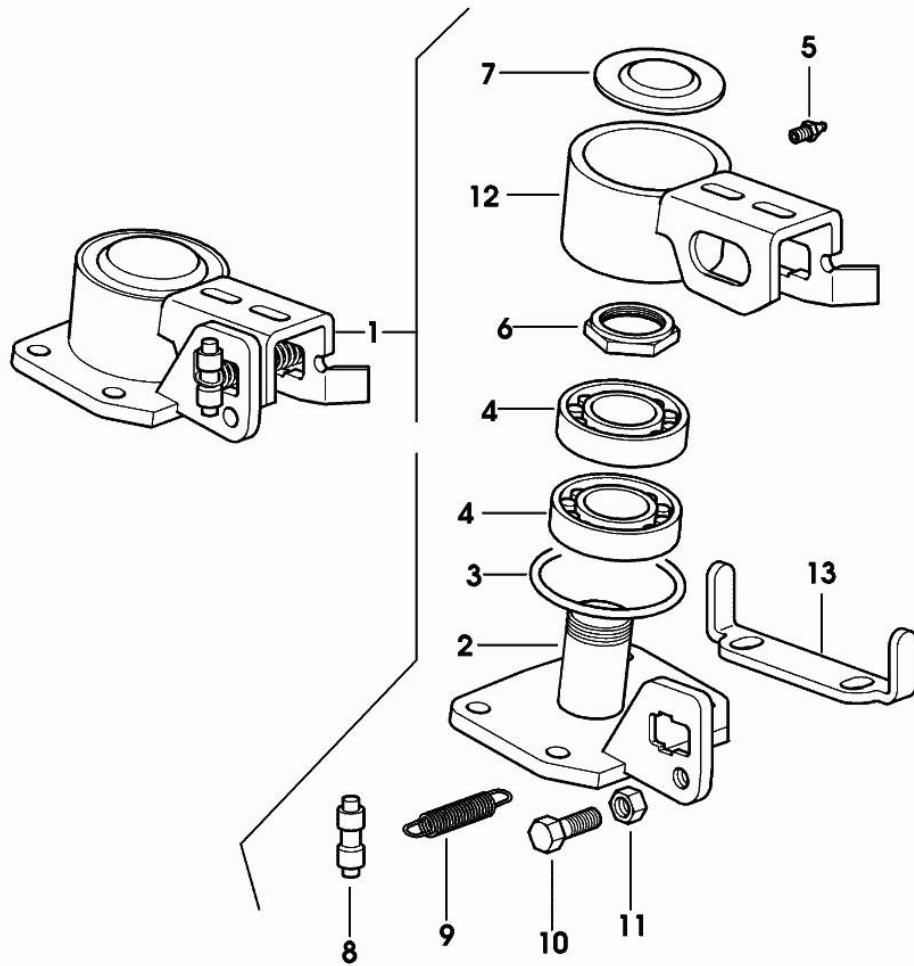


Fig.	P/n	QTY	Name
1	0.011.3452.4/10	1	support dx/rh/re
2	0.000.0000.1		cannot be supplied
3	2.1530.187.0	1	oil seal
4	2.2520.009.0	2	roller bearing 40x80x19.75
5	2.3820.105.2	1	grease gun m 10 p.1 x 7
6	2.1220.009.2	1	ring nut
7	0.011.3445.0	1	small cover
8	0.011.3446.0	2	pin
9	2.4049.212.2	1	spring
10	2.0112.413.2	1	screw m 12 p.1.75x35
11	2.1011.207.2	1	nut m 12 p.1.5
12	0.000.0000.1		cannot be supplied
13	0.012.1972.0	1	stop

0.011.3452.4/10

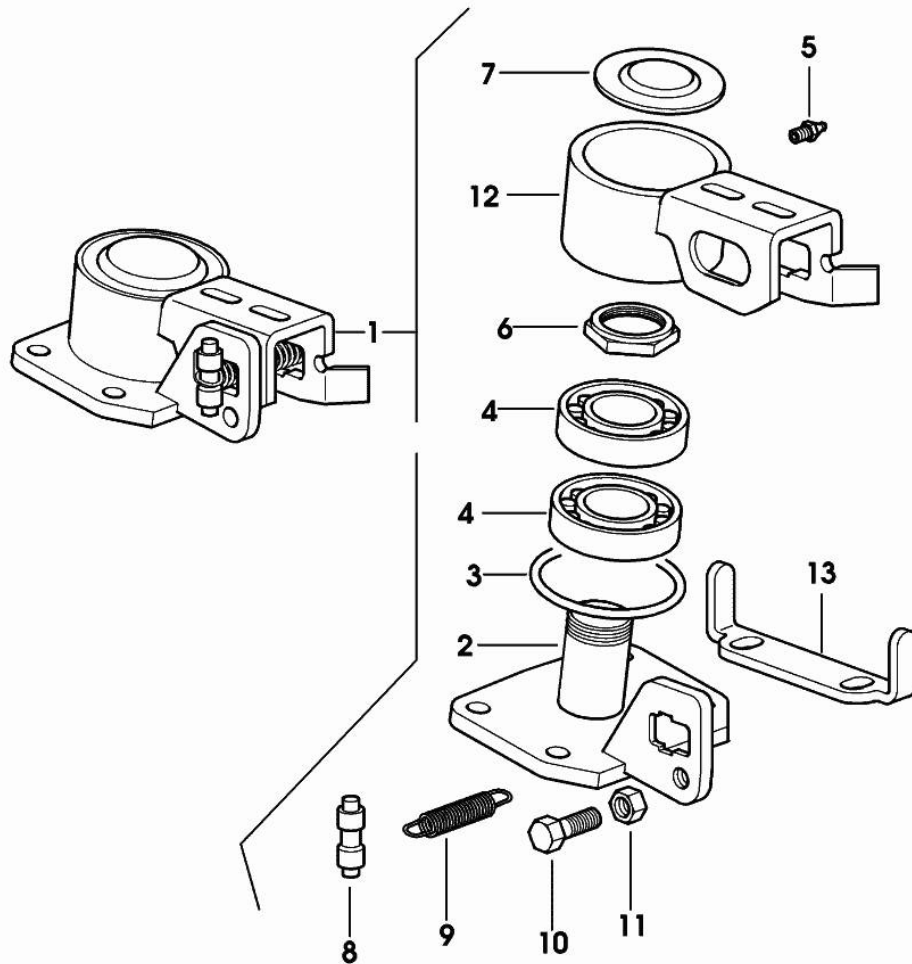
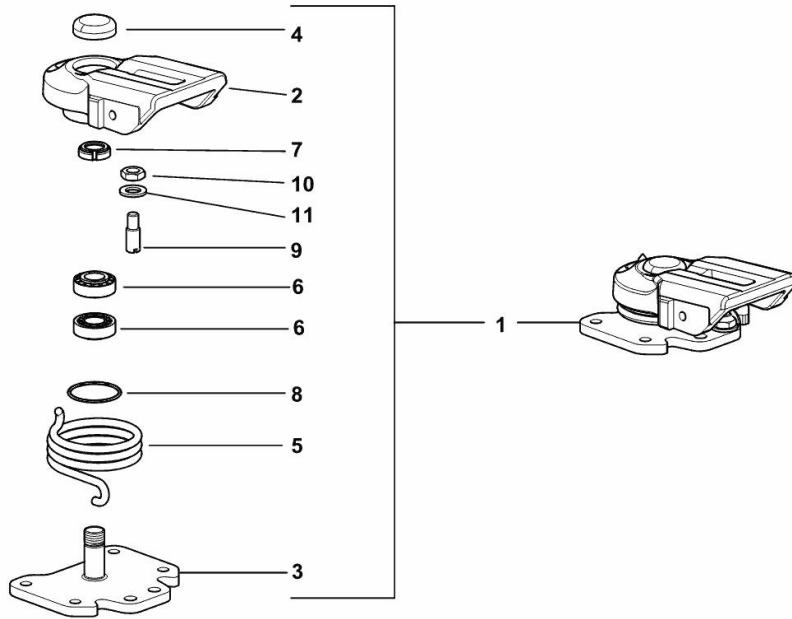
**WING HOLDER sx/lh/li**

Fig.	P/n	QTY	Name
1	0.011.3457.4/10	1	support sx/lh/li
2	0.000.0000.1		cannot be supplied
3	2.1530.187.0	1	oil seal
4	2.2520.009.0	2	roller bearing 40x80x19.75
5	2.3820.105.2	1	grease gun m 10 p.1 x 7
6	2.1220.009.2	1	ring nut
7	0.011.3445.0	1	small cover
8	0.011.3446.0	2	pin
9	2.4049.212.2	1	spring
10	2.0112.413.2	1	screw m 12 p.1.75x35
11	2.1011.207.2	1	nut m 12 p.1.5
12	0.000.0000.1		cannot be supplied
13	0.012.1972.0	1	stop

0.011.3457.4/10

**WING HOLDER sx/lh/li**

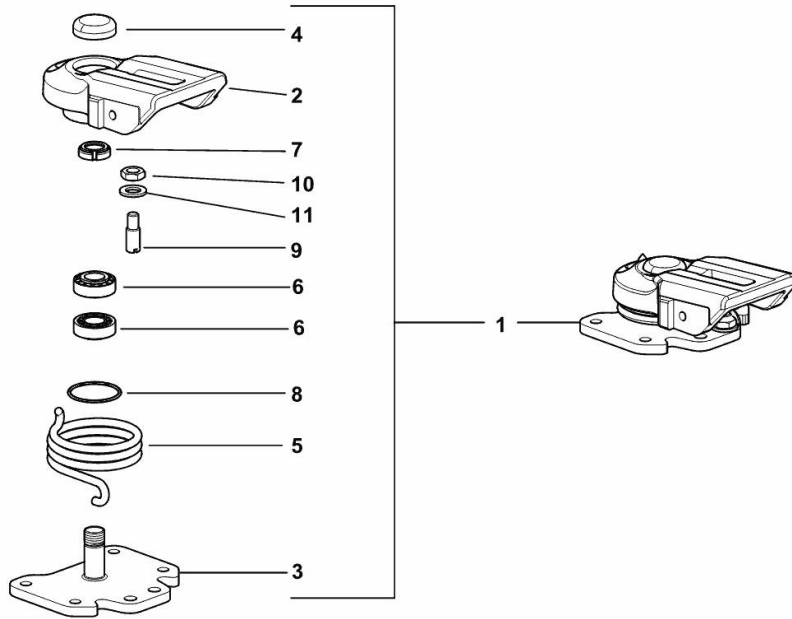
Fig.	P/n	QTY	Name
1	0.015.4232.3	1	support sx/lh/li
2	0.000.0000.1	1	cannot be supplied
3	0.000.0000.1	1	cannot be supplied
4	0.900.1404.1	1	small cover
5	0.900.1404.9	1	spring
6	0.900.1404.3	2	bearing
7	0.900.1404.4	1	ring nut
8	0.900.1404.5	1	gasket
9	0.900.1404.6	1	grub screw
10	0.900.1404.7	1	nut
11	0.900.1404.8	1	washer



0.015.4232.3

**WING HOLDER dx/rh/re**

Fig.	P/n	QTY	Name
1	0.015.4233.3	1	support dx/rh/re
2	0.000.0000.1	1	cannot be supplied
3	0.000.0000.1	1	cannot be supplied
4	0.900.1404.1	1	small cover
5	0.900.1404.2	1	spring
6	0.900.1404.3	2	bearing
7	0.900.1404.4	1	ring nut
8	0.900.1404.5	1	gasket
9	0.900.1404.6	1	grub screw
10	0.900.1404.7	1	nut
11	0.900.1404.8	1	washer



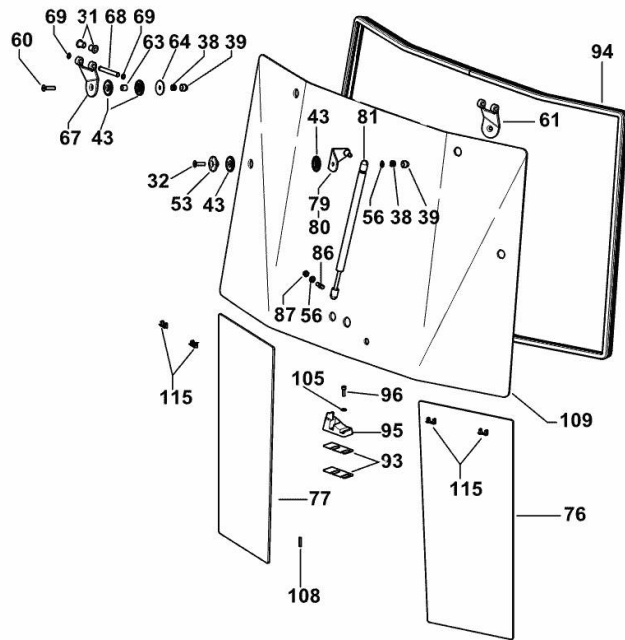
0.015.4233.3

**WINDSCREEN**

Fig.	P/n	QTY	Name
------	-----	-----	------

**Notes:**

[R3 EVO 85 2WD] [R3 EVO 85 4WD]

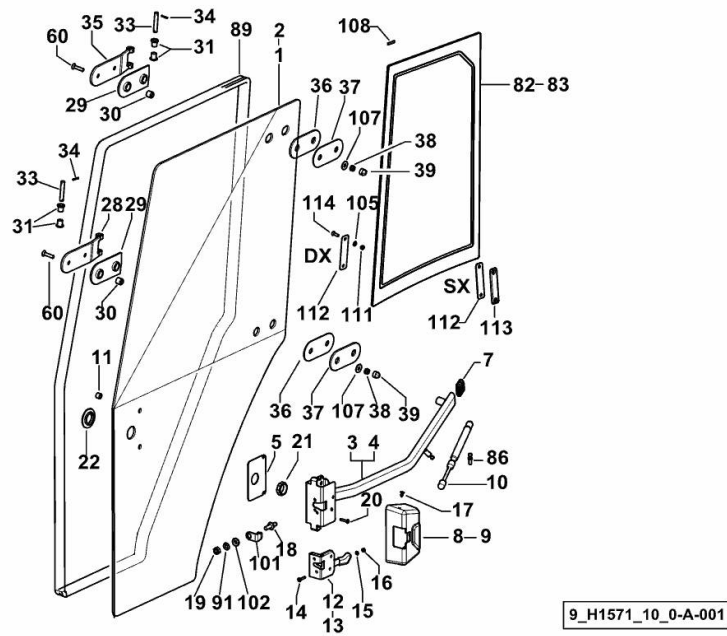


31	2.1559.147.0	16	bushing
32	2.0349.002.3	6	screw m 8 p.1.25 x 30
38	2.1120.105.2	14	self-locking nut m 8 p.1.25
39	0.163.7856.0	14	cap
43	0.009.0422.0	20	gasket
53	2.1499.093.0/10	6	washer 8.5
56	2.1310.004.2	6	flat washer 8.4x17
60	2.0349.003.3	12	screw m 8 p.1.25 x 35
61	0.015.0084.2/10	1	hinge sx/lh/li
63	2.1579.450.2	4	spacer
64	2.1599.495.2	4	washer 8.5
67	0.015.0063.2/10	1	hinge dx/rh/re
68	2.1699.428.2	4	pin 9.6 x 71.5
69	2.1410.001.1	8	circlip 10
76	0.015.0338.0/10	1	window glass
77	0.015.0339.0/10	1	window glass
79	0.010.6270.2	1	bracket dx/rh/re
80	0.010.6268.2	1	bracket sx/lh/li
81	0.010.6269.0	2	shock absorber mm 585
86	0.009.8760.0	6	ball joint
87	2.1011.105.2	2	nut m 8 p.1.25
93	0.015.0388.0/10	2	shim
94	0.015.6332.0	3.5	gasket
95	0.015.0452.0/10	1	stop
96	2.0312.106.2	2	screw m 6 p.1 x 20
105	2.1310.002.2	7	flat washer 6.4x12.5
108	0.015.0489.0	16	spacer
109	0.015.0354.0/10	1	windshield
115	0.015.4785.0	4	clip



**GLASSES AND SEALS SX/LH/LI - DX/RH/RE**

Fig.	P/n	QTY	Name
107	2.1312.004.2	6	washer 8x24x2
108	0.015.0489.0	16	spacer
111	2.1011.103.2	4	nut m 6 p.1
112	0.010.5568.0	2	gasket
113	0.015.0555.0	1	small plate
114	2.0342.205.6	4	screw m 6 p.1 x 20



**Buy Now**



Our support email:

[ebooklibonline@outlook.com](mailto:ebooklibonline@outlook.com)