

**P.T.O. - POWER TAKE OFF**

K9\_W1036\_00\_0-D-001

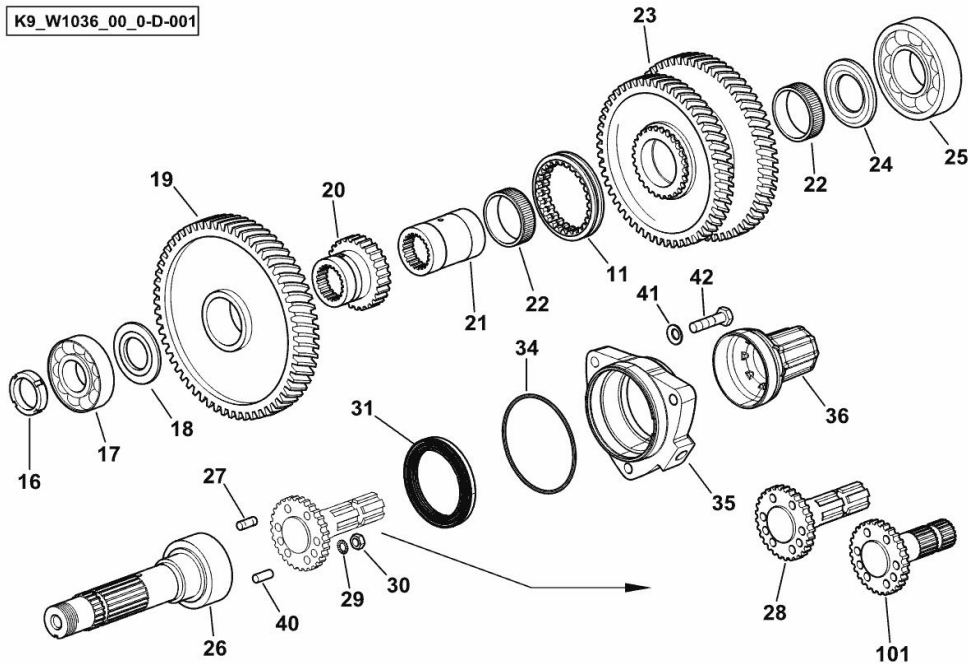


Fig.	P/n	QTY	Name
------	-----	-----	------

**Notes:**

[R6.180 T4i VRT]

11	0.224.3452.0/10	2	sleeve
16	2.1219.032.0/10	1	ring nut m 40 p.1.5
17	2.2060.012.0	1	ball bearing 40 x 90 x 23
18	0.011.0591.0	1	shoulder ring
19	0.015.0203.0	1	gear z = 64
20	0.011.0534.0	1	hub
21	0.011.0585.0	1	sleeve
22	2.2770.097.0	2	roller cage 60x68x20
23	0.015.0211.0	1	gear Z = 51/55
24	0.011.0590.0	1	shoulder ring
25	2.2060.015.0	1	ball bearing
26	0.011.0589.0/20	1	power take-off shaft
27	2.0433.155.7	6	stud bolt m 10 p.1.25 x 25
28	0.019.5756.0	1	power take-off shaft Z = 6
29	2.1470.006.2	6	lock washer 10
30	2.1012.421.7	6	nut m 10 p.1.25
31	2.1529.183.0	1	special oil seal
34	2.1530.222.0	1	oil seal 120.24x3.53
35	0.019.5750.0/10	1	cover
36	0.011.4639.0	1	guard
40	2.1651.811.0	2	cylindrical plug 10x24
41	2.1475.004.2	15	spring washer 12
42	2.0112.419.2	3	screw m 12 p.1.75 x 50
101	0.019.5752.0	1	power take-off shaft Z = 21

R6/SPARK 180 T4i VRT -> WSXU490200LL50001

Section: D0 - TRANSMISSION

Ref: D0.14.3 (1)

**PTO OUTPUT SHAFT Z = 6**

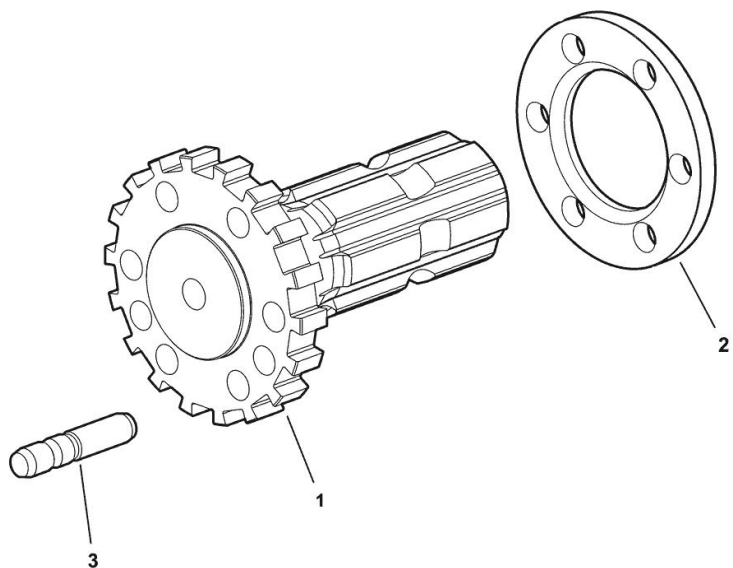
Fig.	P/n	QTY	Name
------	-----	-----	------

**Notes:**

[R6/SPARK 180 T4i VRT -> WSXU490200LL50001]

1	0.021.6024.0	1	shaft Z=6
2	0.019.6773.2	1	spacer Ø 48 / Ø 85.5 / mm 7
3	2.0433.159.7	6	stud bolt

K9\_W1036\_12\_0-A-001



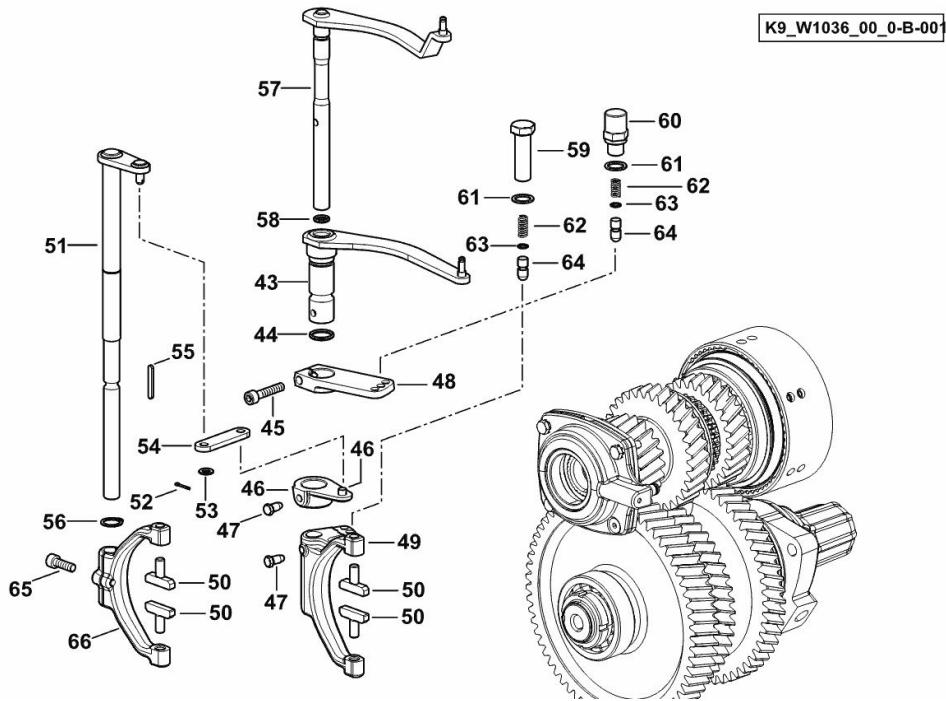
**P.T.O. - IN-CAB CONTROLS**

Fig.	P/n	QTY	Name
------	-----	-----	------

**Notes:**

[R6.180 T4i VRT]

43	0.012.9059.2	1	lever
44	2.1530.052.0	1	oil seal 20.24x2.62
45	2.0312.214.2	1	screw m 8 p.1.25 x 40
46	0.013.2960.0	1	sleeve
47	2.0399.019.1	2	screw m 8 p.1 x 16
48	0.012.9060.0	1	sleeve
49	0.012.9062.0/10	1	fork
50	0.007.7559.0	4	shoe
51	0.015.1888.3	1	lever
52	2.1690.206.2	1	split pin A2x15
53	2.1311.006.2	1	flat washer 8
54	0.012.9064.0/10	1	rod
55	2.1711.011.0	1	stick 5x3x36
56	2.1410.005.1	1	circlip 18
57	0.012.9063.2	1	shaft
58	2.1530.024.0	1	oil seal 10.78 x 2.62
59	0.011.4720.0/10	1	screw
60	0.011.4721.0/10	1	screw
61	2.1560.012.0	2	gasket 16.2 x 22
62	2.4019.622.1	2	spring 6.3 x 9.5 x 1.6 x 22.4
63	2.1423.001.7	2	shoulder ring
64	2.1699.555.0	2	connector
65	2.0312.208.2	1	screw m 8 p.1.25 x 25
66	0.012.9065.0/10	1	fork



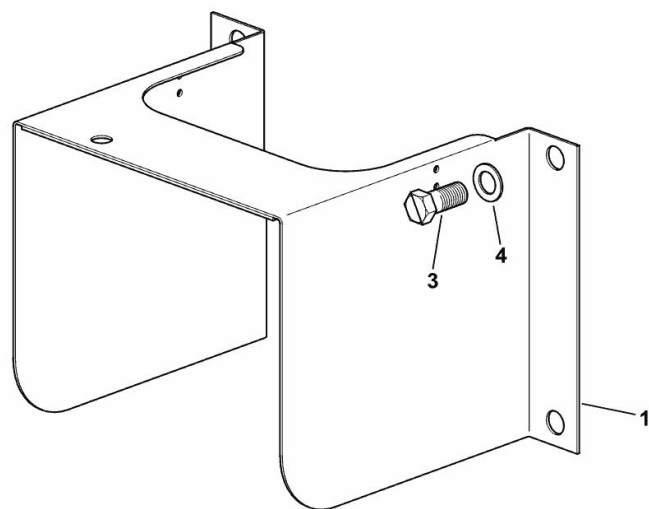
**P.T.O. SHAFT PROTECTOR REAR**

Fig.	P/n	QTY	Name
------	-----	-----	------

**Notes:**

[R6/SPARK 180 T4i VRT -> WSXU490200LL50001]

1	04450906.4/10	1	guard
3	2.0129.071.6	4	screw m 18 p.1.5x40
4	01107121	4	washer 19x34x3



K9\_94659\_82\_0-A-001

**REAR AXLE SX/LH/LI - DX/RH/RE**

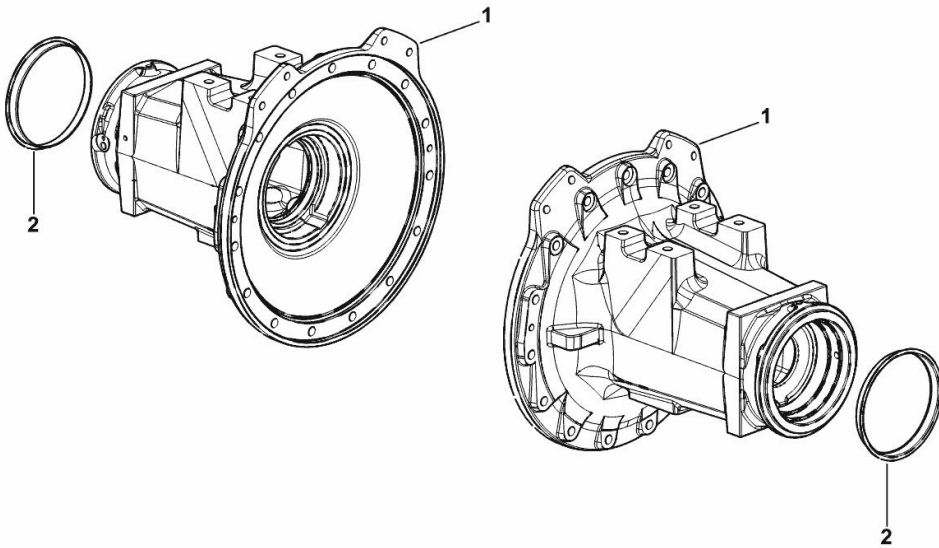
Fig.	P/n	QTY	Name
------	-----	-----	------

**Notes:**

[R6.180 T4i VRT]

1	0.015.6140.0/30	2	wheel support
2	0.016.7495.0	2	cup

K9\_J5744\_10\_0-A-001



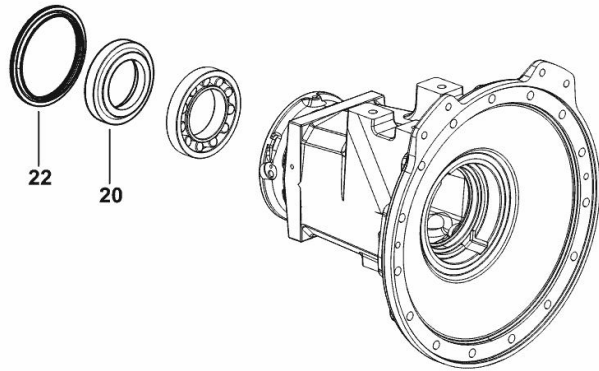
**REAR AXLE COMPLETTION SX/LH/LI - DX/RH/RE**

Fig.	P/n	QTY	Name
------	-----	-----	------

Notes:  
[R6.180 T4i VRT]

20	0.007.7633.0/20	2	spacer
22	2.1519.149.0	2	ring 140x169x15

K9\_J4247\_10\_0-B-001

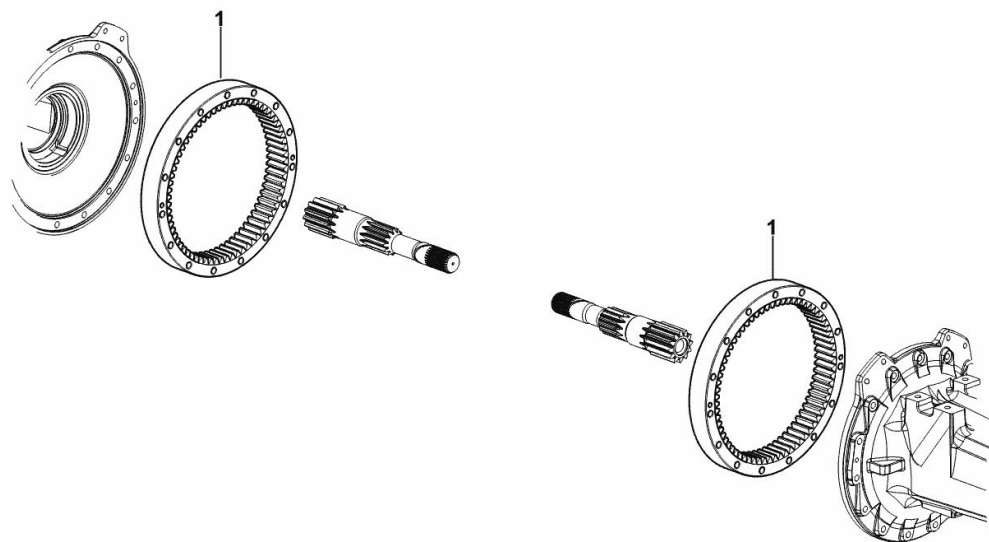


**REDUCTION GEAR CROWN WHEEL SX/LH/LI - DX/RH/RE**

Fig.	P/n	QTY	Name
------	-----	-----	------

Notes:  
[R6.180 T4i VRT]

1	0.008.5800.0/10	2	crown wheel z = 69
---	-----------------	---	--------------------



K9\_J4247\_13\_0-B-001

**Buy Now**



Our support email:

[ebooklibonline@outlook.com](mailto:ebooklibonline@outlook.com)