

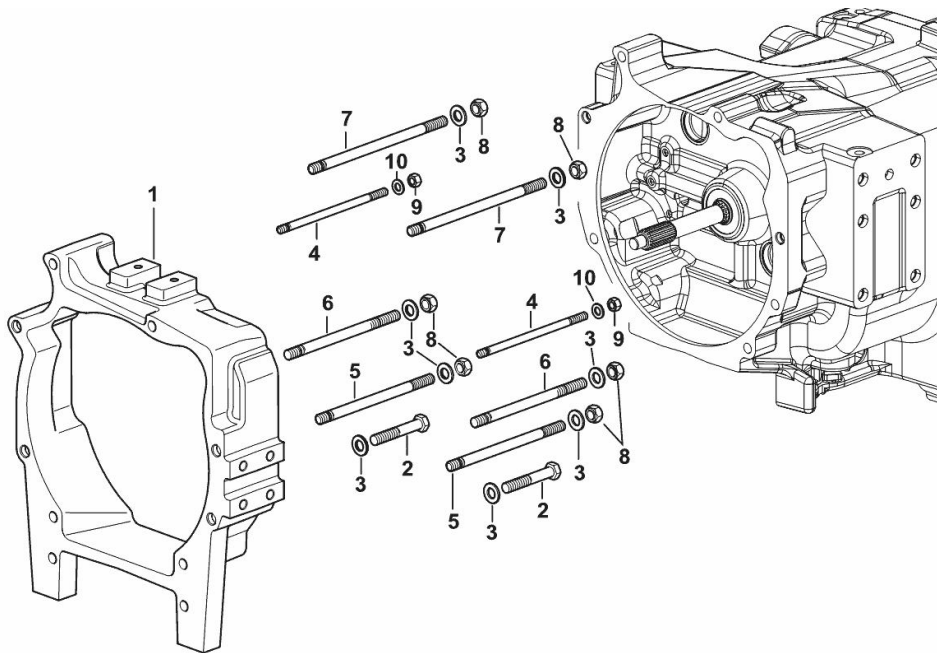
**FIXING PARTS - MOTOR - GEARS**

Fig.	P/n	QTY	Name
------	-----	-----	------

**Notes:**

[R6. 170 VRT DCR]

1	0445205/10	1	flange
2	2.0113.629.2	2	screw m 16 p.2x100
3	2.1475.106.7	8	washer 17x32
4	2.0439.281.7/10	2	stud bolt m 12 p.1.75-1.25x238
5	2.0439.282.7/10	2	stud bolt m 16 p.2-1.5x252
6	2.0439.296.7/10	2	stud bolt m 16 p.2-1.5x242
7	2.0439.283.7/10	2	stud bolt m 16 p.2-1.5x297
8	2.1012.409.7	6	nut m 16
9	2.1011.422.2	2	nut m 12 p.1.25
10	2.1475.104.7	2	washer 13 x 24



K9\_J6631\_03\_0-A-001

**REAR GEARBOX CASE**

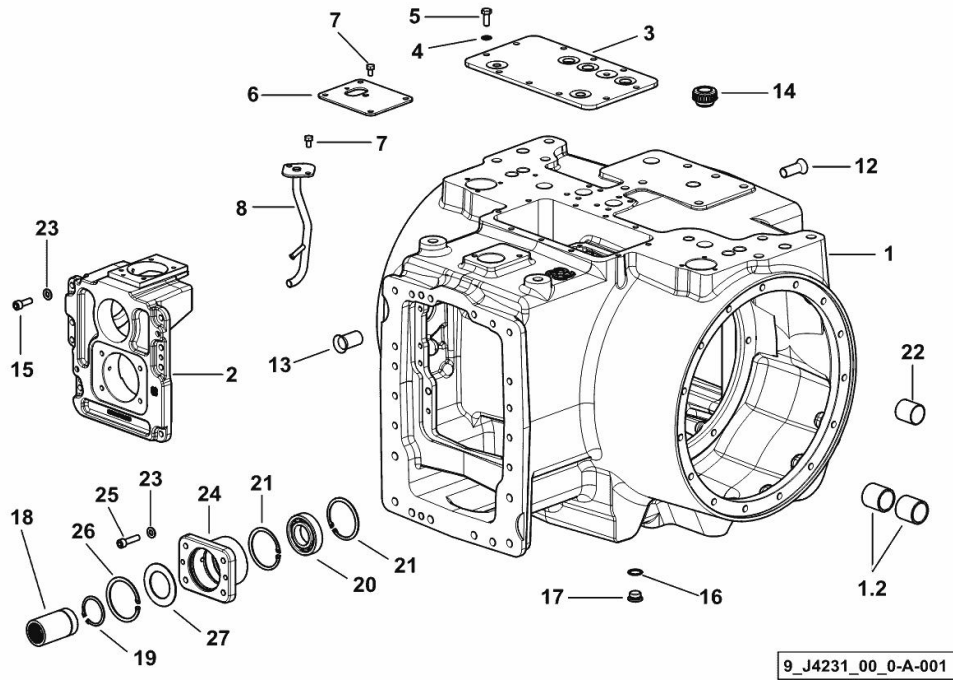


Fig.	P/n	QTY	Name
<b>Notes:</b>			
[R6. 170 VRT DCR]			
1	0.014.9711.3/30	1	gear box TO REAR DRIVING AXLE SERIAL NUMBER 5342 <--
1	0.014.9711.3/40	1	gear box FROM REAR DRIVING AXLE SERIAL NUMBER --> 5343
1.2	2.1559.418.0	4	bushing
2	0.014.9710.3/20	1	flange TO REAR DRIVING AXLE SERIAL NUMBER 5343 <--
2	0.014.9710.3/40	1	flange FROM REAR DRIVING AXLE SERIAL NUMBER --> 5344
3	0.011.8010.0/30	1	plate
4	2.1470.006.2	10	lock washer 10
5	2.0112.309.2	10	screw m 10 p.1.5 x 25
6	0.013.1945.2/10	1	plate
7	2.0112.204.2	6	screw m 8 p.1.25x14
8	0.011.8009.2/20	1	tube
12	0.012.6382.0	1	tube
13	0.012.6383.0	1	tube
14	0.041.1135.4	3	plug 1" gas
15	2.0312.310.2	8	screw m 10 p.1.5 x 30
16	2.1560.017.0	5	gasket 22.2 x 27
17	2.3199.001.2	5	plug 1/2" gas
18	0.016.0216.0	1	sleeve
19	2.1410.021.7	1	ring 52
20	2.2040.012.0	1	ball bearing iso 40 bc 02
21	2.1411.032.1	2	circlip 80
22	0.012.4202.0	2	bushing 35x39x40
23	2.1475.203.7	12	washer 10.5
24	0.015.7107.0/10	1	support
25	2.0312.314.2	4	screw m 10 p.1.5 x 40
26	2.1411.034.1	1	circlip 85
27	2.1599.908.0	1	shoulder 54x85x3

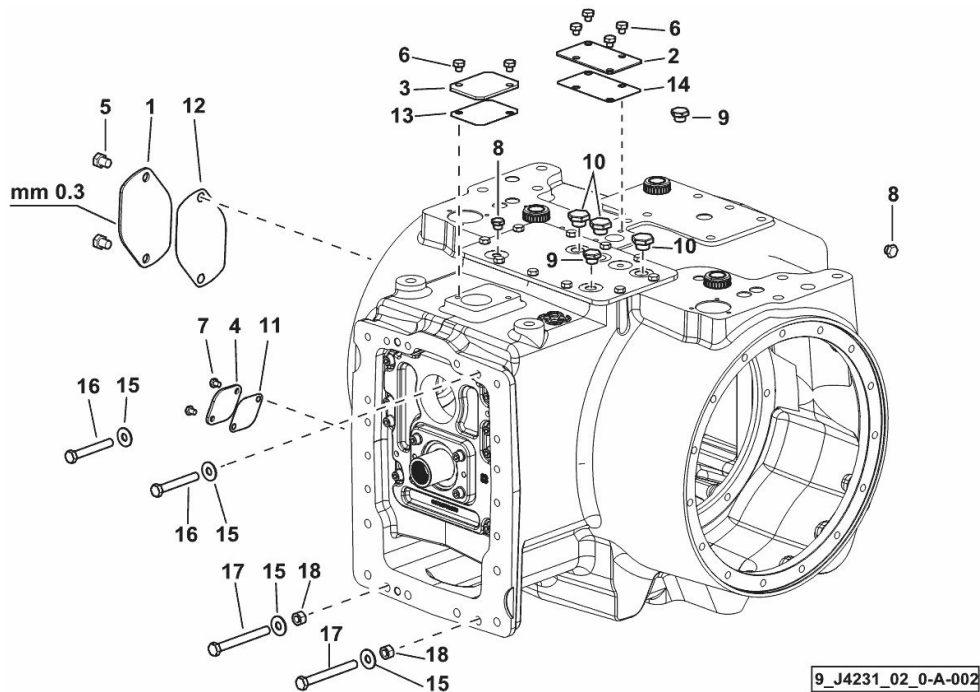
**COVERS FOR REAR GEARBOX**

Fig.	P/n	QTY	Name
------	-----	-----	------

**Notes:**

[R6. 170 VRT DCR]

1	0.011.5286.0	1	cover
2	0.011.9822.0	1	small plate
3	0.011.7692.0	1	cover
4	0.013.2028.0	1	plate mm 87
5	2.0112.502.2	2	screw m 14 p.2x10
6	2.0112.302.2	6	screw m 10 p 1.5 x 10
7	2.0112.202.2	2	screw m 8 p.1.25 x 10
8	2.3180.303.0	2	plug m 14 p.1.5
9	2.3180.305.0	2	plug m 18 p.1.5
10	2.3180.314.0	3	plug m 22 x 1.5
11	0.013.2030.0	1	gasket
12	0.015.9863.0	1	gasket
13	0.015.9864.0	1	gasket
14	0.015.9865.0	1	gasket
15	2.1599.450.0	4	shoulder ring 14.5x35x3
16	2.0112.529.2	2	screw m 14 p.2x100
17	2.0112.535.2	2	screw m 14 p.2x130
18	2.1011.108.2	2	nut m 14 p.2



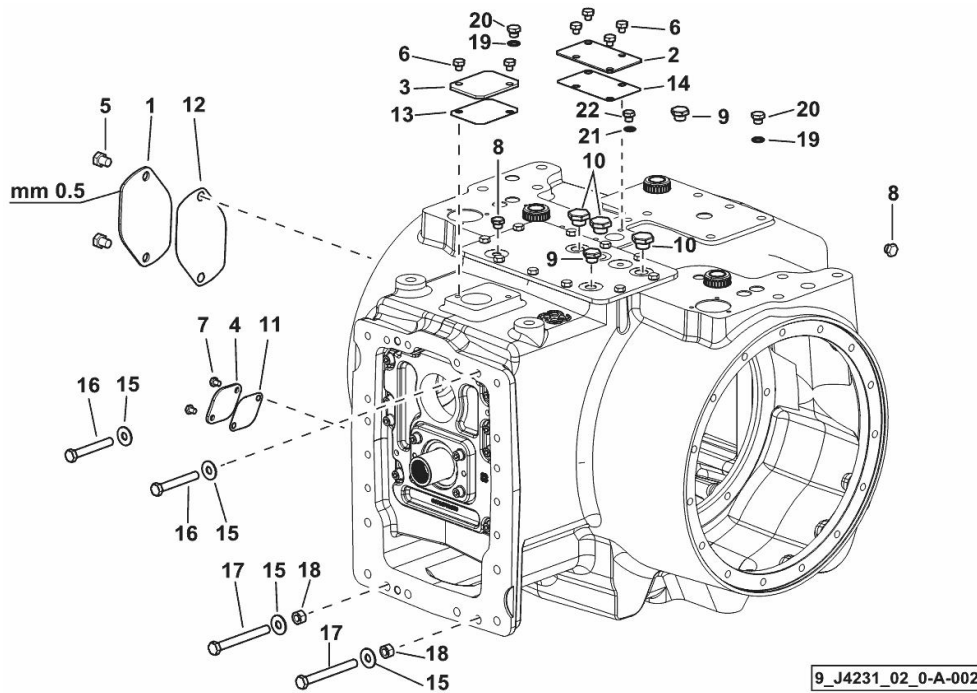
**COVERS FOR REAR GEARBOX**

Fig.	P/n	QTY	Name
------	-----	-----	------

**Notes:**

[R6. 170 VRT DCR]

1	0.011.5286.0/10	1	cover
2	0.011.9822.0	1	small plate
3	0.011.7692.0	1	cover
4	0.013.2028.0	1	plate mm 87
5	2.0112.505.2	2	screw m 14 p.2 x16
6	2.0112.302.2	6	screw m 10 p 1.5 x 10
7	2.0112.202.2	2	screw m 8 p.1.25 x 10
8	2.3180.303.0	2	plug m 14 p.1.5
9	2.3180.305.0	2	plug m 18 p.1.5
10	2.3180.314.0	3	plug m 22 x 1.5
11	0.013.2030.0	1	gasket
12	0.015.9863.0	1	gasket
13	0.015.9864.0	1	gasket
14	0.015.9865.0	1	gasket
15	2.1599.450.0	4	shoulder ring 14.5x35x3
16	2.0112.529.2	2	screw m 14 p.2x100
17	2.0112.535.2	2	screw m 14 p.2x130
18	2.1011.108.2	2	nut m 14 p.2
19	2.1560.010.0	2	gasket 14.2 x 20
20	2.3110.403.2	2	plug m 14
21	2.1560.008.0	1	gasket 12.2 x 18
22	2.3110.302.2	1	plug m 12 p.1.75 x 10



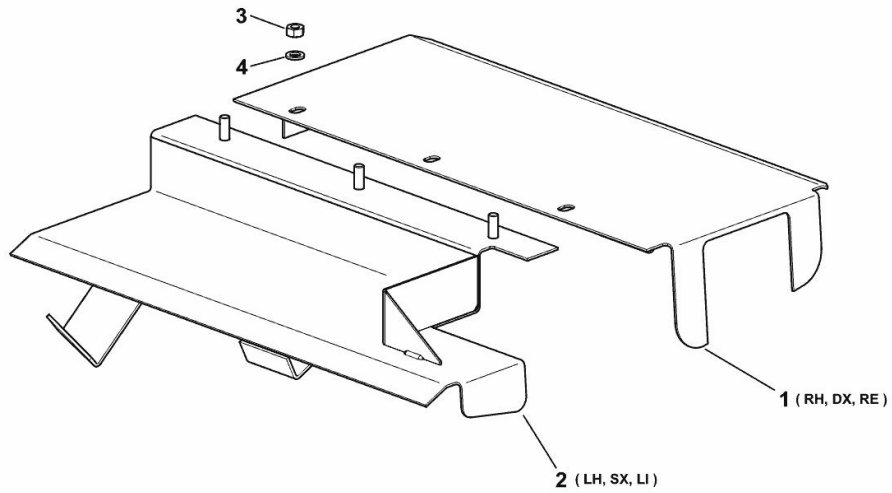
**GEARBOX OIL BULKHEADS**

Fig.	P/n	QTY	Name
------	-----	-----	------

**Notes:**

[R6. 170 VRT DCR]

1	0.015.1631.2/10	1	division dx/rh/re
2	0.015.1632.3/10	1	division sx/lh/li
3	2.1011.103.2	3	nut m 6 p.1
4	2.1470.002.2	3	lock washer 6



9\_J4231\_03\_0-A-001

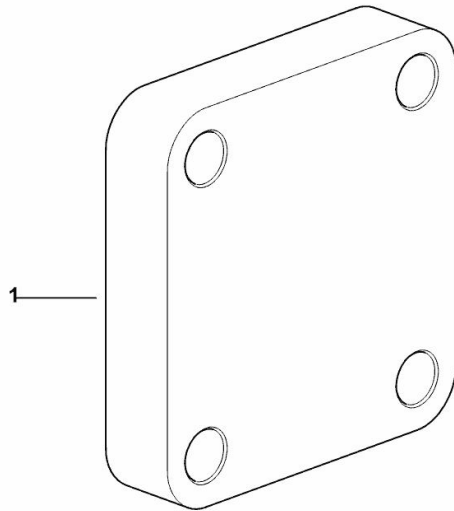
**SEPARATOR mm 35**

Fig.	P/n	QTY	Name
------	-----	-----	------

**Notes:**

- FOR MODELS WITHOUT FRONT LIFT [R6. 170 VRT DCR]

1	0.015.7283.0	1	spacer mm 35
---	--------------	---	--------------



K9\_J6356\_01\_0-A-001

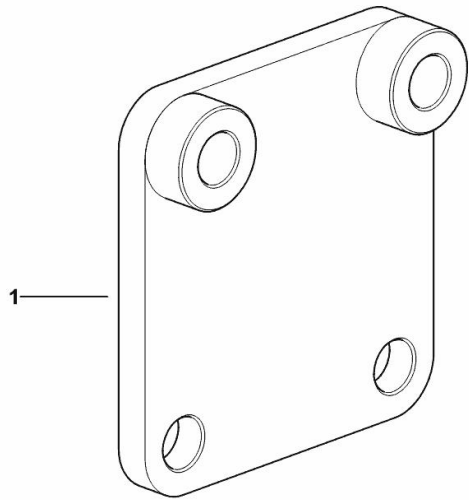
**SEPARATOR mm 15**

Fig.	P/n	QTY	Name
------	-----	-----	------

**Notes:**

- FOR MODELS WITH FRONT LIFT [R6. 170 VRT DCR]

1	0.015.7285.2	1	spacer mm 15
---	--------------	---	--------------



K9\_J6356\_02\_0-A-001

**Buy Now**



Our support email:

[ebooklibonline@outlook.com](mailto:ebooklibonline@outlook.com)