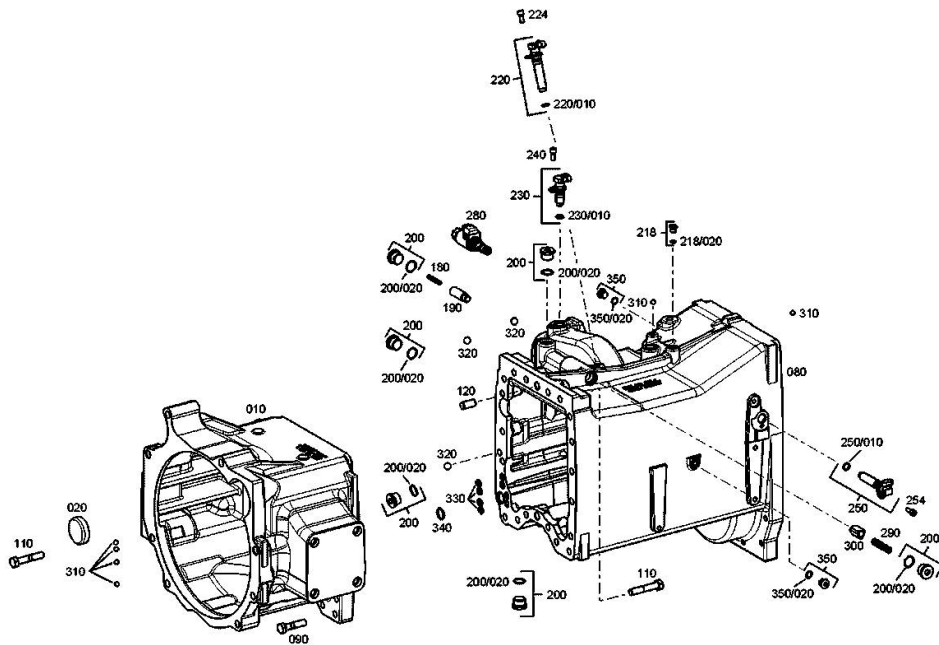


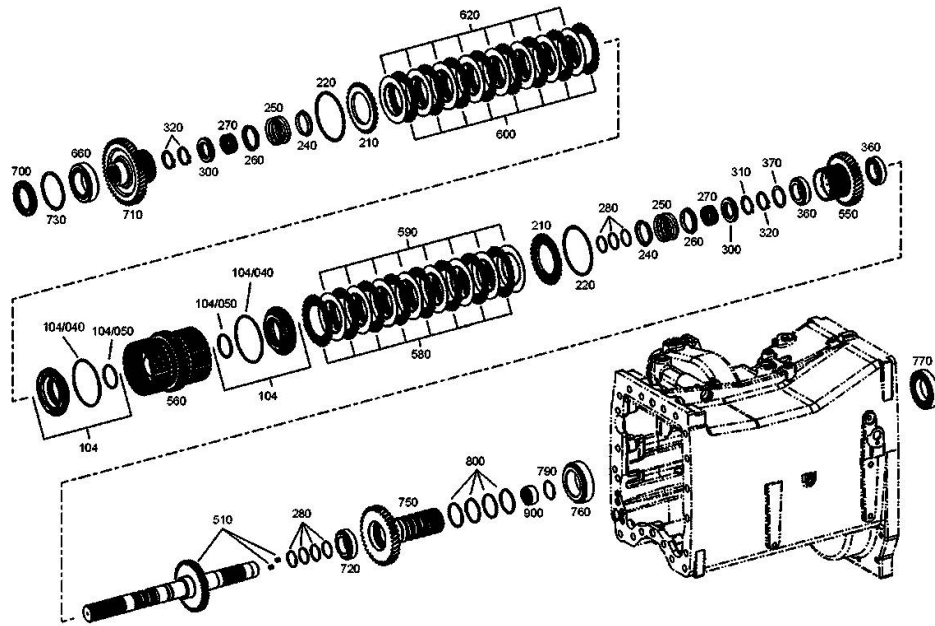
Section: D0 - TRANSMISSION
GEARBOX - 2095 011 002

| Fig. | P/n | QTY | Name |
|--------|--------------|-----|----------------------------|
| 10 | 0.900.2186.6 | 1 | box |
| 20 | 01138947 | 1 | cover |
| 80 | 0.900.2186.7 | 1 | box |
| 90 | 0.010.2887.1 | 7 | screw m 14 x 60 |
| 110 | 0.900.2186.8 | 12 | screw |
| 120 | 04416090 | 2 | cylindrical plug 16 m 6x30 |
| 180 | 04415972 | 1 | spring |
| 190 | 04415971 | 1 | small piston |
| 200 | 04434341 | 6 | plug |
| 200.20 | 04436328 | 1 | oil seal 23x2 |
| 218 | 04433215 | 1 | plug |
| 218.20 | 04415796 | 1 | oil seal 9.5x2 |
| 220 | 04438438 | 1 | position sensor L = 83,2mm |
| 220.10 | 04417747 | 1 | oil seal 15.54x2.62 |
| 224 | 04434551 | 1 | screw m 8 p.1.25 x 20 |
| 230 | 0.010.2874.2 | 1 | speed sensor |
| 230.10 | 04417747 | 1 | oil seal 15.54x2.62 |
| 240 | 04434551 | 1 | screw m 8 p.1.25 x 20 |
| 250 | 04438438 | 1 | position sensor L = 83,2mm |
| 250.10 | 04417747 | 1 | oil seal 15.54x2.62 |
| 254 | 04434551 | 1 | screw m 8 p.1.25 x 20 |
| 280 | 0.900.2094.5 | 1 | solenoid valve |
| 290 | 04415955 | 1 | spring |
| 300 | 0.900.0489.2 | 1 | cone |
| 310 | 04309268 | 6 | ball |
| 320 | 04416962 | 3 | ball |
| 330 | 01160038 | 4 | oil seal |
| 340 | 0.900.2186.9 | 1 | ring |
| 350 | 04435199 | 2 | screw |
| 350.20 | 02315162 | 1 | oil seal 13x2 |



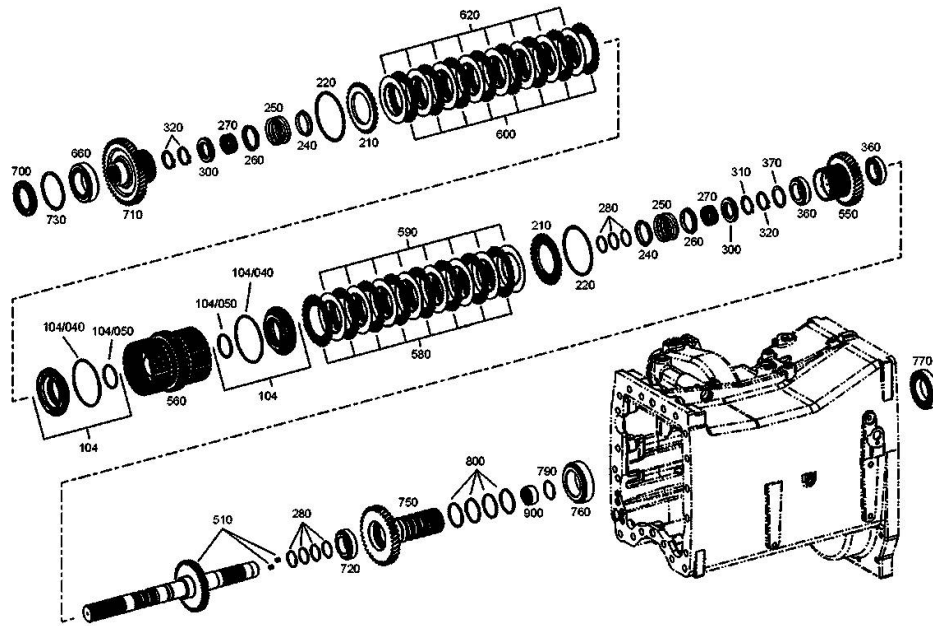
Section: D0 - TRANSMISSION
SPLITTER - 2095 011 002

| Fig. | P/n | QTY | Name |
|--------|--------------|-----|-----------------|
| 104 | 04431746 | 4 | piston |
| 104.40 | 04419762 | 1 | oil seal 104x3 |
| 104.50 | 04419763 | 1 | oil seal 50x3 |
| 210 | 04416763 | 4 | disc |
| 220 | 0.900.0801.9 | 1 | circlip A=2,75 |
| 220 | 0.900.0802.0 | 1 | circlip A=3,25 |
| 220 | 0.900.0802.1 | 1 | circlip A=2,25 |
| 220 | 04416765 | 1 | circlip A = 2.0 |
| 220 | 04416766 | 1 | circlip A = 2.5 |
| 220 | 04416767 | 1 | circlip A = 3.0 |
| 220 | 04416768 | 1 | circlip A = 3.5 |
| 240 | 04416758 | 4 | ring |
| 250 | 04416759 | 4 | spring |
| 260 | 04416954 | 4 | ring |
| 270 | 04416955 | 4 | roller cage |
| 280 | 04416956 | 10 | ring 38/35.2x2 |
| 300 | 04416957 | 4 | bearing |
| 310 | 04416951 | 2 | circlip |
| 320 | 0.010.3347.1 | 5 | circlip 38x2.5 |
| 360 | 04416950 | 4 | bearing |
| 370 | 0.010.2886.0 | 1 | washer mm 1.175 |
| 370 | 0.010.2886.1 | 1 | washer mm 1.15 |
| 370 | 0.900.2137.0 | 1 | washer mm 1.025 |
| 370 | 0.900.2137.1 | 1 | washer mm 1.075 |
| 370 | 0.900.2137.2 | 1 | washer mm 1.125 |
| 370 | 04416969 | 1 | ring mm 1.5 |
| 370 | 04417016 | 1 | washer mm 1.2 |
| 370 | 04417017 | 1 | washer mm 1.25 |
| 370 | 04417018 | 1 | washer mm 1.30 |
| 370 | 04417019 | 1 | washer mm 1.35 |
| 370 | 04417020 | 1 | washer mm 1.4 |
| 370 | 04417021 | 1 | washer mm 1.45 |
| 370 | 04417023 | 1 | washer mm 1.55 |
| 370 | 04417024 | 1 | washer mm 1.60 |
| 370 | 04417025 | 1 | washer mm 1.65 |
| 370 | 04417026 | 1 | washer mm 1.7 |
| 370 | 04417027 | 1 | washer mm 1.75 |
| 370 | 04417028 | 1 | washer mm 1.80 |
| 370 | 04417029 | 1 | shim mm 1.225 |
| 370 | 04417030 | 1 | shim mm 1.275 |
| 370 | 04417031 | 1 | shim mm 1.325 |
| 370 | 04417032 | 1 | shim mm 1.375 |
| 370 | 04417033 | 1 | shim mm 1.425 |
| 370 | 04417034 | 1 | shim mm 1.475 |



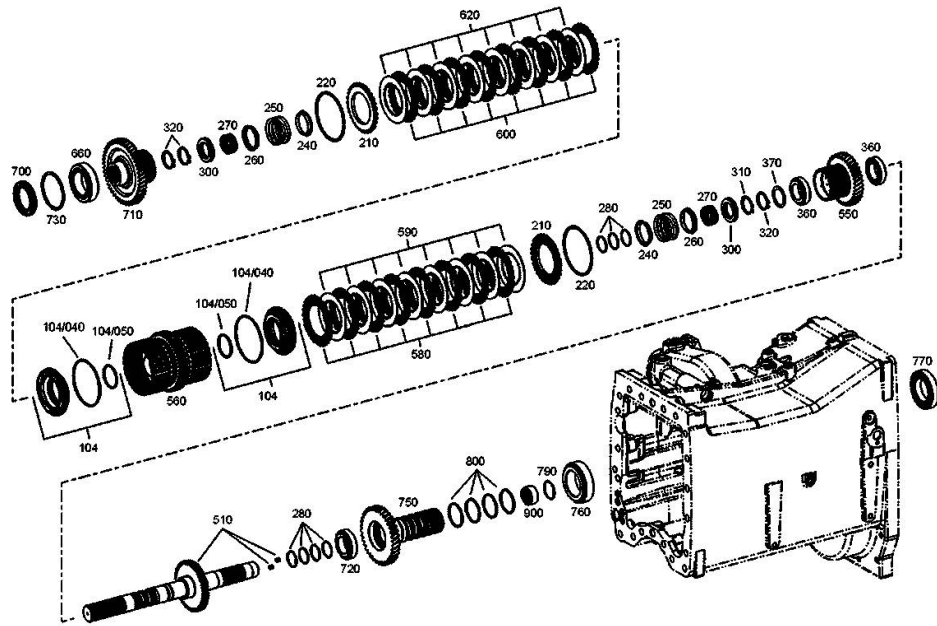
Section: D0 - TRANSMISSION
SPLITTER - 2095 011 002

| Fig. | P/n | QTY | Name |
|------|--------------|-----|--------------------|
| 370 | 04417035 | 1 | shim mm 1.525 |
| 370 | 04417036 | 1 | shim mm 1.575 |
| 370 | 04417037 | 1 | shim mm 1.625 |
| 370 | 04417038 | 1 | shim mm 1.675 |
| 370 | 04417039 | 1 | shim mm 1.725 |
| 370 | 04417040 | 1 | shim mm 1.775 |
| 510 | 0.900.2187.7 | 1 | ring |
| 550 | 0.900.0955.6 | 1 | gear wheel |
| 560 | 0.900.0954.4 | 1 | plate carrier |
| 580 | 04416760 | 8 | clutch plate AV 35 |
| 590 | 04416967 | 8 | clutch plate |
| 600 | 04416760 | 8 | clutch plate AV 35 |
| 620 | 04416967 | 8 | clutch plate |
| 660 | 0.010.3256.1 | 1 | roller bearing |
| 700 | 04416975 | 1 | oil seal |
| 710 | 0.900.0885.0 | 1 | gear z=47 |
| 720 | 04416110 | 1 | roller bearing |
| 730 | 0.900.0974.5 | 1 | shim S = 2.00 |
| 730 | 0.900.0974.6 | 1 | shim s = 2.05 |
| 730 | 0.900.0974.7 | 1 | shim s = 2.10 |
| 730 | 0.900.0974.8 | 1 | shim s = 2.15 |
| 730 | 0.900.0974.9 | 1 | shim s = 2.20 |
| 730 | 0.900.0975.0 | 1 | shim s = 2.25 |
| 730 | 0.900.0975.1 | 1 | shim s = 2.30 |
| 730 | 0.900.0975.2 | 1 | washer |
| 730 | 0.900.0975.3 | 1 | washer |
| 730 | 0.900.0975.4 | 1 | shim |
| 730 | 0.900.0975.5 | 1 | shim |
| 730 | 0.900.0975.6 | 1 | shim |
| 730 | 0.900.0975.7 | 1 | shim |
| 730 | 0.900.0975.8 | 1 | shim |
| 730 | 0.900.0975.9 | 1 | shim |
| 730 | 0.900.0976.0 | 1 | shim |
| 730 | 0.900.0976.1 | 1 | shim |
| 730 | 0.900.0978.1 | 1 | washer |
| 730 | 0.900.0978.2 | 1 | washer |
| 730 | 0.900.2188.2 | 1 | shim S=2.95 |
| 730 | 0.900.2188.3 | 1 | shim S=3,00 |
| 730 | 0.900.2188.4 | 1 | shim A=1,90 |
| 730 | 0.900.2188.5 | 1 | shim A=1,950 |
| 730 | 0.900.2188.6 | 1 | shim h=2,68 |
| 730 | 0.900.2188.7 | 1 | shim h=2,730 |
| 730 | 0.900.2188.8 | 1 | shim h=2,780 |
| 730 | 0.900.2188.9 | 1 | shim h=2,830 |

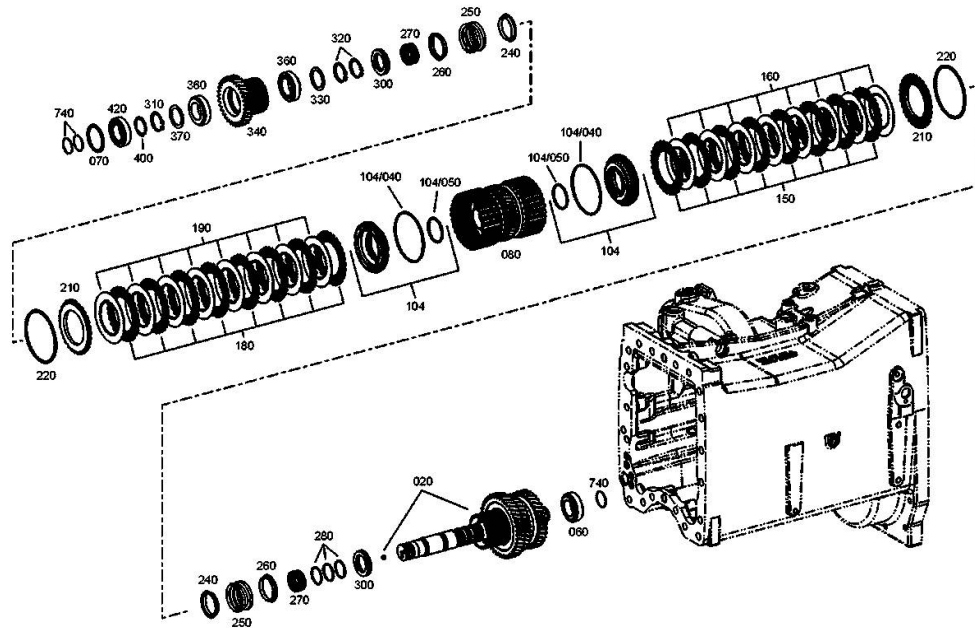


SPLITTER - 2095 011 002

| Fig. | P/n | QTY | Name |
|------|--------------|-----|--------------|
| 730 | 0.900.2189.0 | 1 | shim h=2,880 |
| 730 | 0.900.2189.1 | 1 | shim S=3.10 |
| 750 | 0.900.2187.8 | 1 | shaft |
| 760 | 0.900.2188.0 | 1 | bearing |
| 770 | 0.900.2188.1 | 1 | bearing |
| 790 | 0.900.1246.2 | 1 | circlip |
| 800 | 0.900.0293.5 | 4 | oil seal |
| 900 | 0.900.2187.9 | 1 | bush |

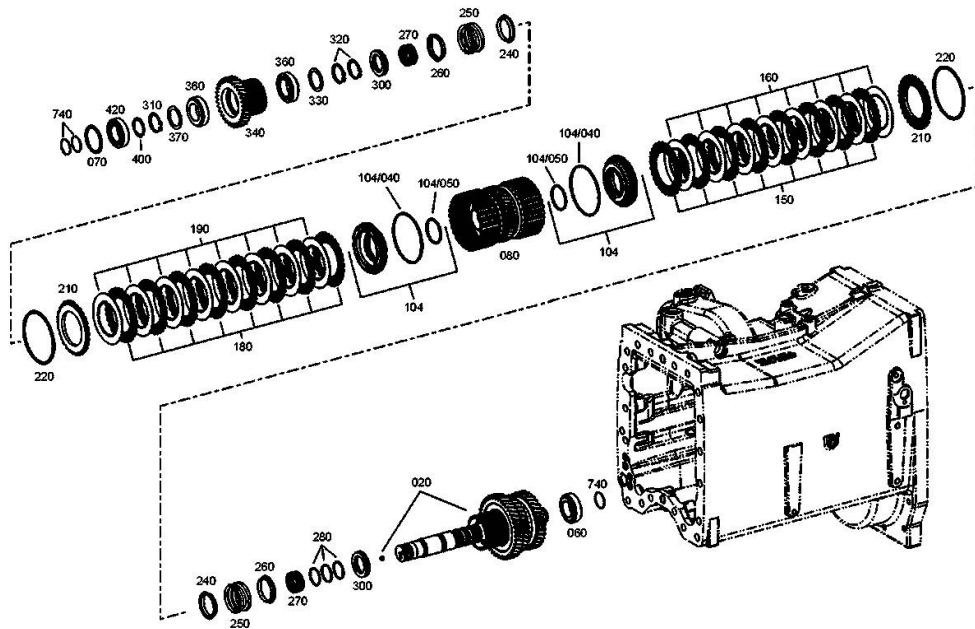


Section: D0 - TRANSMISSION
SPLITTER - 2095 011 002



| Fig. | P/n | QTY | Name |
|--------|--------------|-----|--------------------|
| 20 | 0.900.2187.6 | 1 | shaft |
| 60 | 04415988 | 1 | bearing |
| 70 | 04417051 | 1 | washer mm 2.40 |
| 70 | 04417052 | 1 | washer mm 2.45 |
| 70 | 04417053 | 1 | washer mm 2.50 |
| 70 | 04417054 | 1 | washer mm 2.55 |
| 70 | 04417055 | 1 | washer mm 2.60 |
| 70 | 04424430 | 1 | washer mm 2.65 |
| 70 | 04424431 | 1 | washer mm 2.70 |
| 80 | 0.900.0954.5 | 1 | carrier |
| 104 | 04431746 | 4 | piston |
| 104.40 | 04419762 | 1 | oil seal 104x3 |
| 104.50 | 04419763 | 1 | oil seal 50x3 |
| 150 | 04416760 | 8 | clutch plate AV 35 |
| 160 | 04416967 | 8 | clutch plate |
| 180 | 04416760 | 8 | clutch plate AV 35 |
| 190 | 04416967 | 8 | clutch plate |
| 210 | 04416763 | 4 | disc |
| 220 | 0.900.0801.9 | 1 | circlip A=2,75 |
| 220 | 0.900.0802.0 | 1 | circlip A=3,25 |
| 220 | 0.900.0802.1 | 1 | circlip A=2,25 |
| 220 | 04416765 | 1 | circlip A = 2.0 |
| 220 | 04416766 | 1 | circlip A = 2.5 |
| 220 | 04416767 | 1 | circlip A = 3.0 |
| 220 | 04416768 | 1 | circlip A = 3.5 |
| 240 | 04416758 | 4 | ring |
| 250 | 04416759 | 4 | spring |
| 260 | 04416954 | 4 | ring |
| 270 | 04416955 | 4 | roller cage |
| 280 | 04416956 | 10 | ring 38/35.2x2 |
| 300 | 04416957 | 4 | bearing |
| 310 | 04416951 | 2 | circlip |
| 320 | 0.010.3347.1 | 5 | circlip 38x2.5 |
| 330 | 04416969 | 1 | ring mm 1.5 |
| 340 | 0.900.0955.5 | 1 | gear |
| 360 | 04416950 | 4 | bearing |
| 370 | 0.010.2886.0 | 1 | washer mm 1.175 |
| 370 | 0.010.2886.1 | 1 | washer mm 1.15 |
| 370 | 0.900.2137.0 | 1 | washer mm 1.025 |
| 370 | 0.900.2137.1 | 1 | washer mm 1.075 |
| 370 | 0.900.2137.2 | 1 | washer mm 1.125 |
| 370 | 04416969 | 1 | ring mm 1.5 |
| 370 | 04417016 | 1 | washer mm 1.2 |
| 370 | 04417017 | 1 | washer mm 1.25 |

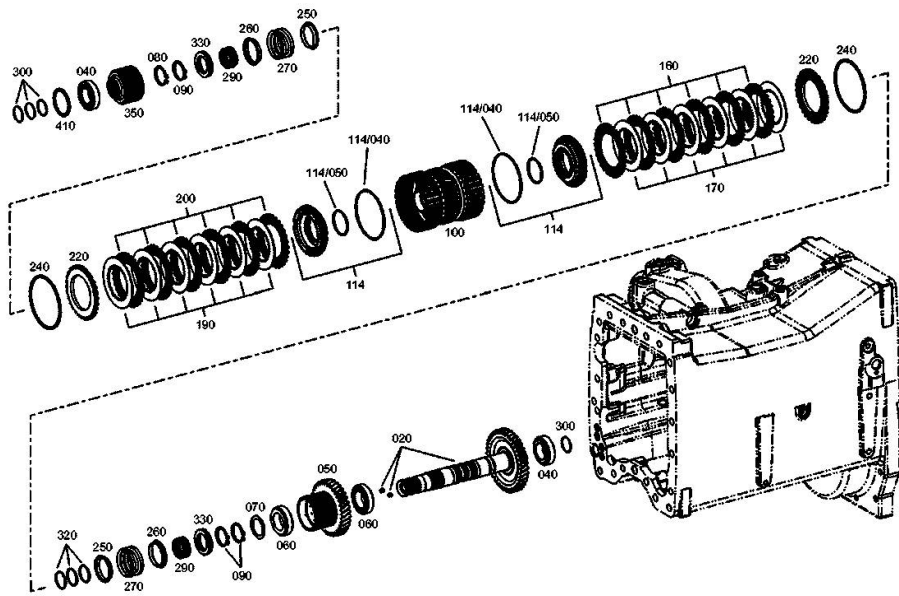
Section: D0 - TRANSMISSION
SPLITTER - 2095 011 002



| Fig. | P/n | QTY | Name |
|------|----------|-----|----------------|
| 370 | 04417018 | 1 | washer mm 1.30 |
| 370 | 04417019 | 1 | washer mm 1.35 |
| 370 | 04417020 | 1 | washer mm 1.4 |
| 370 | 04417021 | 1 | washer mm 1.45 |
| 370 | 04417023 | 1 | washer mm 1.55 |
| 370 | 04417024 | 1 | washer mm 1.60 |
| 370 | 04417025 | 1 | washer mm 1.65 |
| 370 | 04417026 | 1 | washer mm 1.7 |
| 370 | 04417027 | 1 | washer mm 1.75 |
| 370 | 04417028 | 1 | washer mm 1.80 |
| 370 | 04417029 | 1 | shim mm 1.225 |
| 370 | 04417030 | 1 | shim mm 1.275 |
| 370 | 04417031 | 1 | shim mm 1.325 |
| 370 | 04417032 | 1 | shim mm 1.375 |
| 370 | 04417033 | 1 | shim mm 1.425 |
| 370 | 04417034 | 1 | shim mm 1.475 |
| 370 | 04417035 | 1 | shim mm 1.525 |
| 370 | 04417036 | 1 | shim mm 1.575 |
| 370 | 04417037 | 1 | shim mm 1.625 |
| 370 | 04417038 | 1 | shim mm 1.675 |
| 370 | 04417039 | 1 | shim mm 1.725 |
| 370 | 04417040 | 1 | shim mm 1.775 |
| 400 | 04416762 | 1 | disc |
| 420 | 04415988 | 1 | bearing |
| 740 | 04415761 | 3 | ring 35x2 |

POWER SHIFT - 2095 011 002

| Fig. | P/n | QTY | Name |
|--------|--------------|-----|--------------------|
| 20 | 0.900.2187.2 | 1 | shaft |
| 40 | 04415988 | 2 | bearing |
| 50 | 0.900.0955.6 | 1 | gear wheel |
| 60 | 04416950 | 2 | bearing |
| 70 | 0.010.2886.0 | 1 | washer mm 1.175 |
| 70 | 0.010.2886.1 | 1 | washer mm 1.15 |
| 70 | 0.900.2137.0 | 1 | washer mm 1.025 |
| 70 | 0.900.2137.1 | 1 | washer mm 1.075 |
| 70 | 0.900.2137.2 | 1 | washer mm 1.125 |
| 70 | 04416969 | 1 | ring mm 1.5 |
| 70 | 04417016 | 1 | washer mm 1.2 |
| 70 | 04417017 | 1 | washer mm 1.25 |
| 70 | 04417018 | 1 | washer mm 1.30 |
| 70 | 04417019 | 1 | washer mm 1.35 |
| 70 | 04417020 | 1 | washer mm 1.4 |
| 70 | 04417021 | 1 | washer mm 1.45 |
| 70 | 04417023 | 1 | washer mm 1.55 |
| 70 | 04417024 | 1 | washer mm 1.60 |
| 70 | 04417025 | 1 | washer mm 1.65 |
| 70 | 04417026 | 1 | washer mm 1.7 |
| 70 | 04417027 | 1 | washer mm 1.75 |
| 70 | 04417028 | 1 | washer mm 1.80 |
| 70 | 04417029 | 1 | shim mm 1.225 |
| 70 | 04417030 | 1 | shim mm 1.275 |
| 70 | 04417031 | 1 | shim mm 1.325 |
| 70 | 04417032 | 1 | shim mm 1.375 |
| 70 | 04417033 | 1 | shim mm 1.425 |
| 70 | 04417034 | 1 | shim mm 1.475 |
| 70 | 04417035 | 1 | shim mm 1.525 |
| 70 | 04417036 | 1 | shim mm 1.575 |
| 70 | 04417037 | 1 | shim mm 1.625 |
| 70 | 04417038 | 1 | shim mm 1.675 |
| 70 | 04417039 | 1 | shim mm 1.725 |
| 70 | 04417040 | 1 | shim mm 1.775 |
| 80 | 04416951 | 1 | circlip |
| 90 | 0.010.3347.1 | 3 | circlip 38x2.5 |
| 100 | 0.900.0954.3 | 1 | support |
| 114 | 04431746 | 2 | piston |
| 114.40 | 04419762 | 1 | oil seal 104x3 |
| 114.50 | 04419763 | 1 | oil seal 50x3 |
| 160 | 04416760 | 8 | clutch plate AV 35 |
| 170 | 04416967 | 8 | clutch plate |
| 190 | 04416967 | 8 | clutch plate |
| 200 | 04416760 | 8 | clutch plate AV 35 |



Buy Now



Our support email:

ebooklibonline@outlook.com