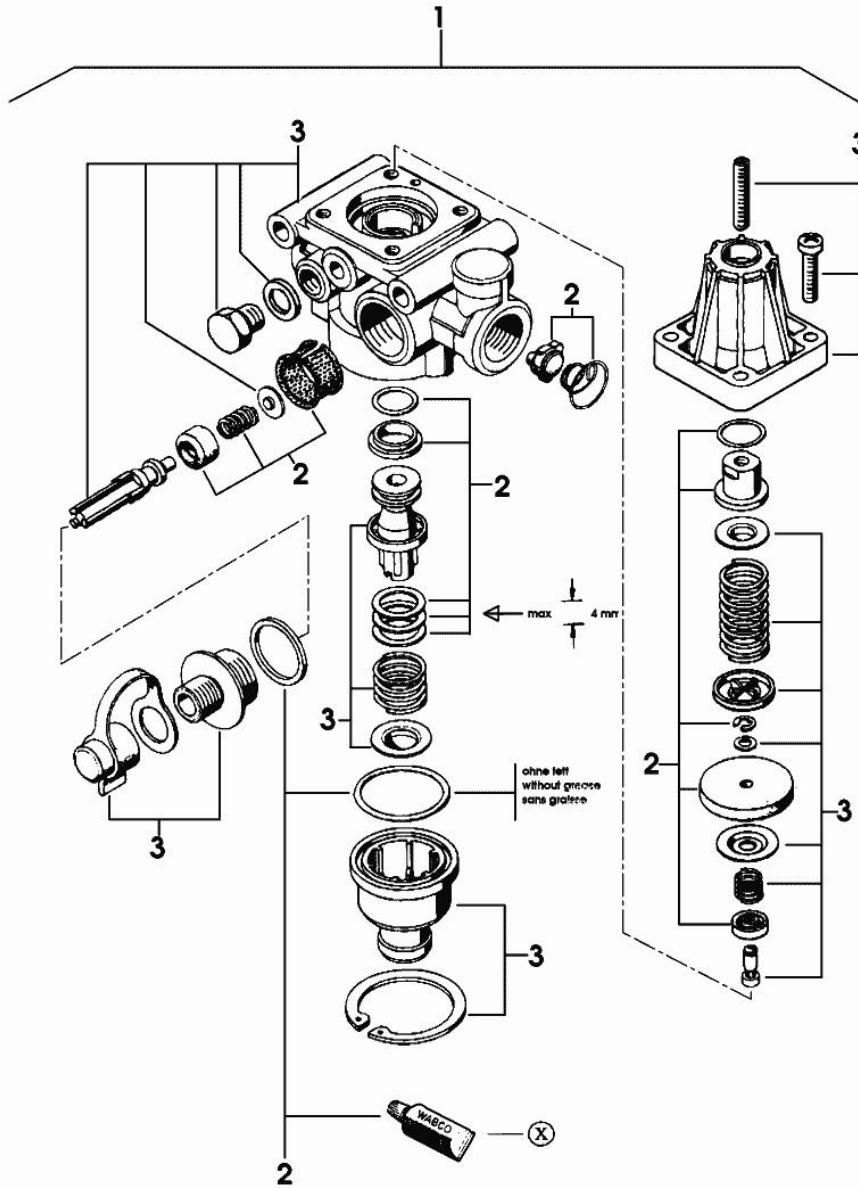


**PRESSURE REGULATOR**

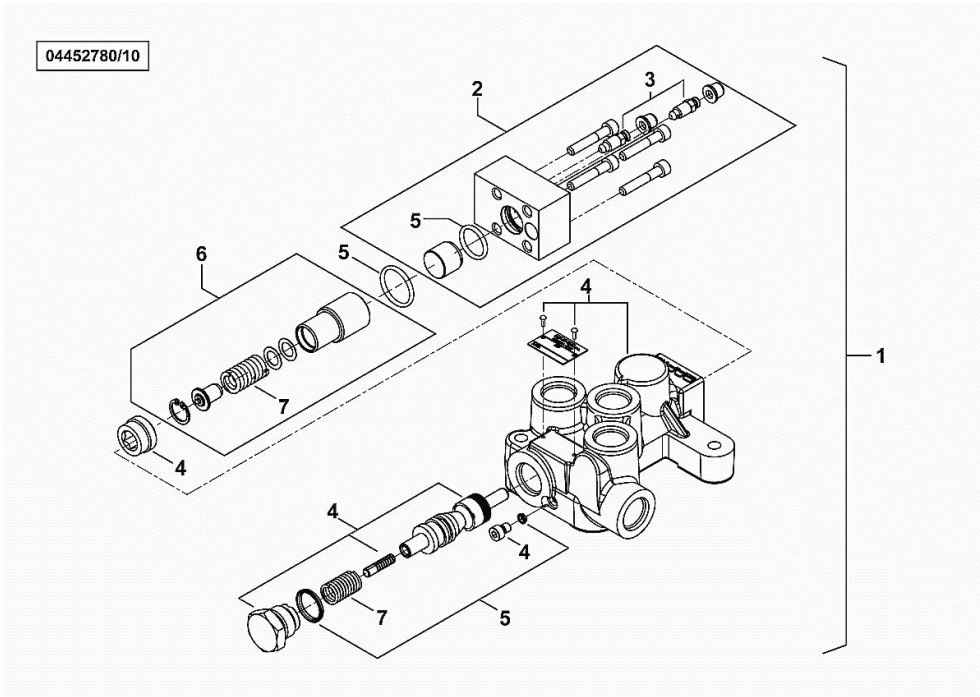
Fig.	P/n	QTY	Name
1	04434820	1	regulator
2	0.010.2844.1	1	repair set
3	0.000.0000.1		cannot be supplied



04434820

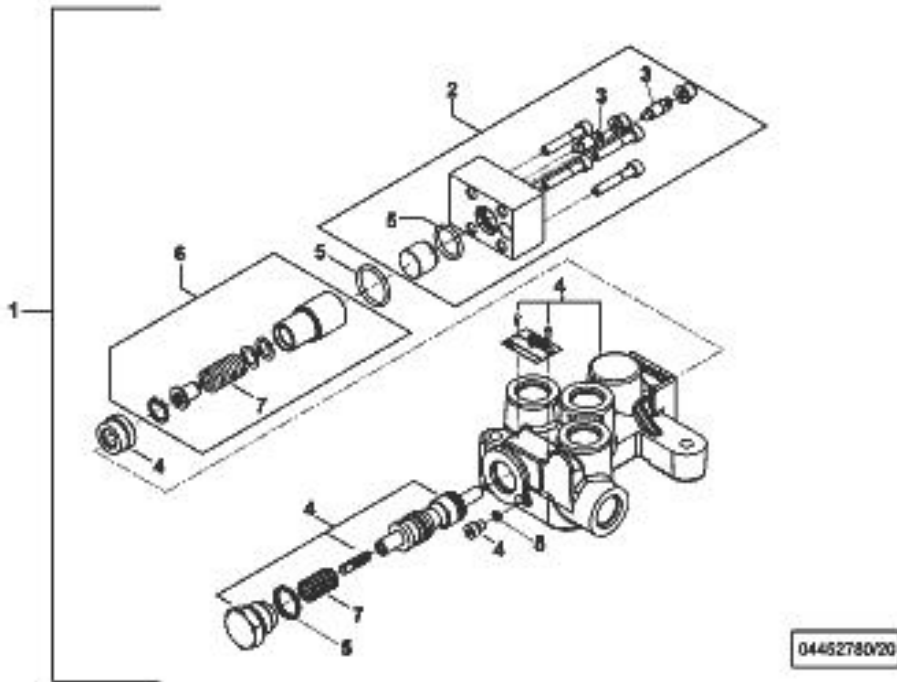
**TRAILER BRAKE VALVE**

Fig.	P/n	QTY	Name
1	04452780/10	1	valve
2	0.900.0064.8	1	small block
3	0.900.0064.3	2	screw
4	0.000.0000.1		cannot be supplied
5	0.010.3494.1	1	seal ring kit
6	0.900.0064.9	1	accessories
7	0.900.0040.2	1	spring - KIT



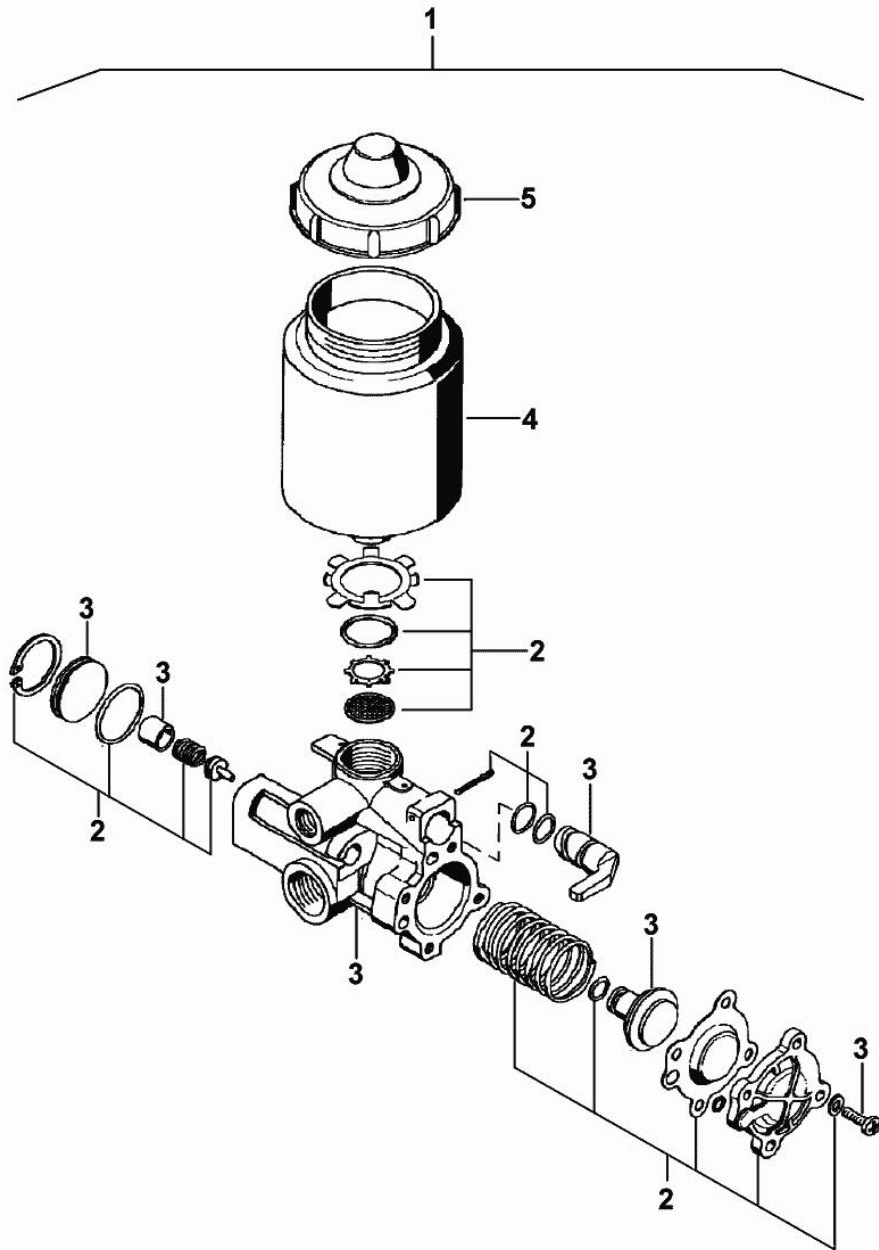
**TRAILER BRAKE VALVE**

Fig.	P/n	QTY	Name
1	04452780/20	1	valve
2	0.900.1977.9	1	small block
3	0.900.0064.3	2	screw
4	0.000.0000.1		cannot be supplied
5	0.010.3494.1	1	seal ring kit
6	0.900.1978.0	1	accessories
7	0.900.0040.2	1	spring - KIT



**PUMP-COMPONENTS**

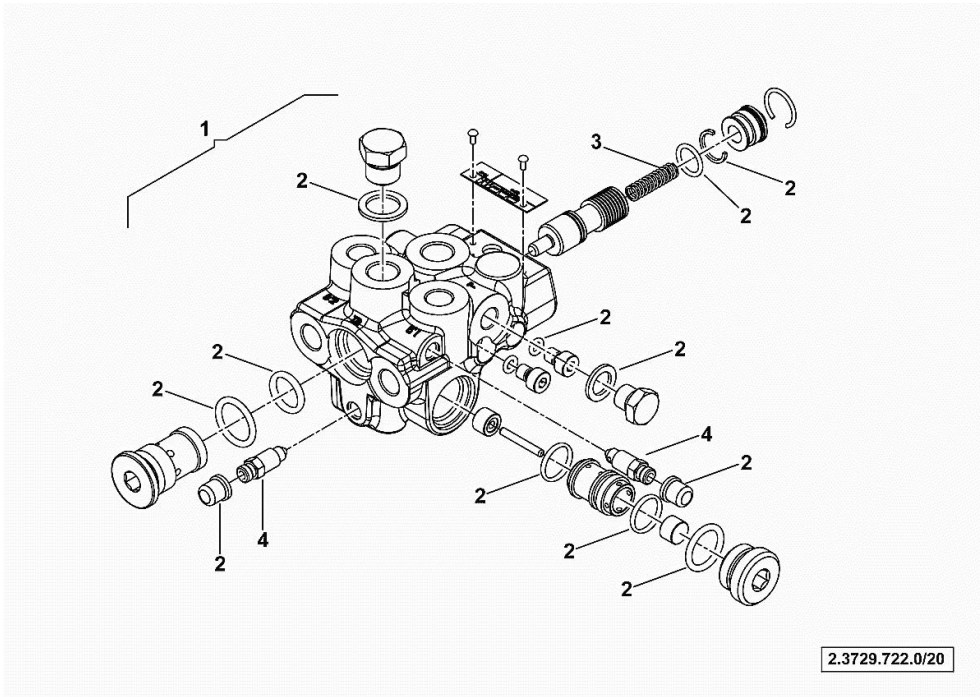
Fig.	P/n	QTY	Name
1	04453936	1	pump
2	0.900.0387.0	1	spare parts kit
3	0.000.0000.1		cannot be supplied
4	0.900.0782.9	1	tank
5	0.900.0783.0	1	plug



04453936

**BRAKES CONTROL VALVE**

Fig.	P/n	QTY	Name
1	2.3729.722.0/20	1	valve
2	0.900.1263.3	1	gasket set
3	0.900.1263.4	1	spring
4	0.900.0064.3	2	screw



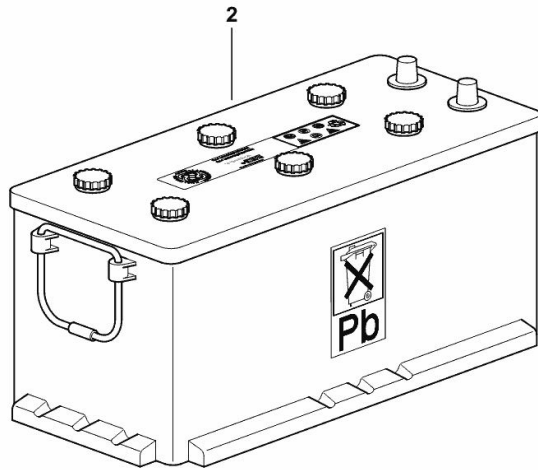
**BATTERY 12V 150Ah 660A**

Fig.	P/n	QTY	Name
------	-----	-----	------

**Notes:**

[R6.130 DCR -> 10010 -> 30000]

2	2.9559.046.0	1	battery 12V 150Ah 660A
---	--------------	---	------------------------



K9\_52684\_10\_0-A-001

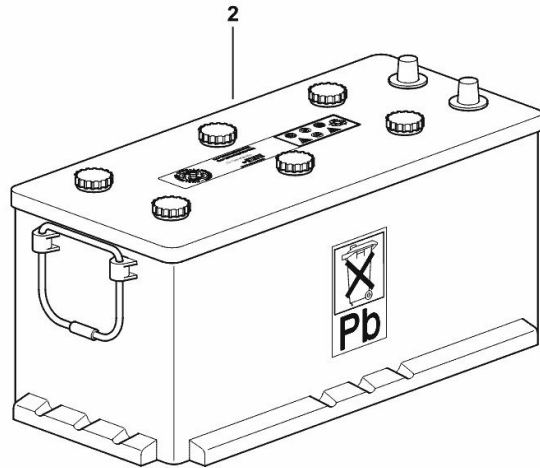
**BATTERY 12V 180Ah 800A**

Fig.	P/n	QTY	Name
------	-----	-----	------

Notes:

[R6.130 DCR -> 10010 -> 30000]

2	2.9559.047.0	1	battery 12V 180Ah 800A
---	--------------	---	------------------------



K9\_40584\_07\_0-A-001

**Buy Now**



Our support email:

[ebooklibonline@outlook.com](mailto:ebooklibonline@outlook.com)