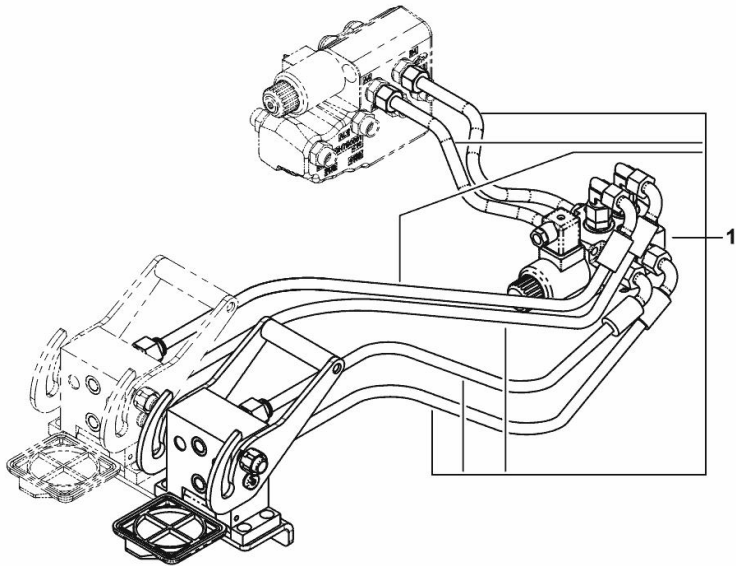


HYDROFIX HYDRAULIC COUPLER 3+4

Fig.	P/n	QTY	Name
------	-----	-----	------

Notes:
[R6.140 DCR 4V]

1	0.017.1134.4	1	spool valve
---	--------------	---	-------------



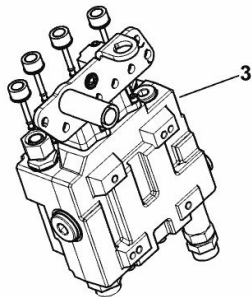
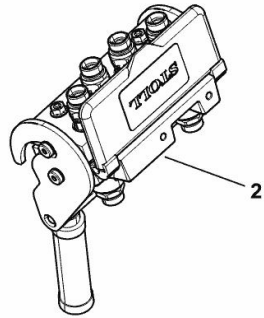
K9_L1698_53_0-A-001

DISTRIBUTOR

Fig.	P/n	QTY	Name
------	-----	-----	------

Notes:
[R6.140 DCR 4V]

2	0.014.8188.4	1	spool valve
3	0.016.7470.4	1	spool valve



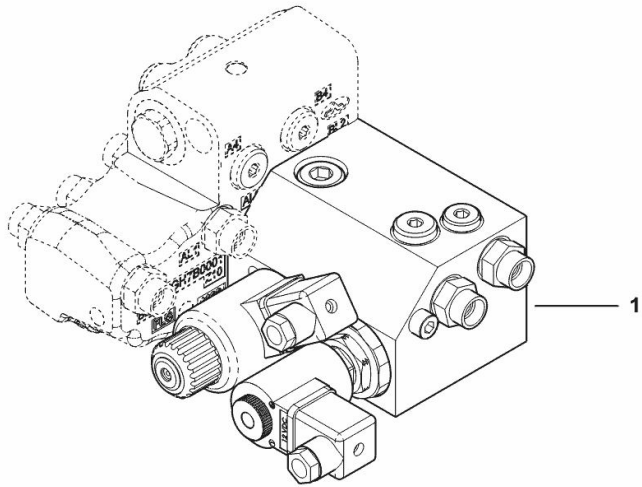
K9_J6598_00_0-B-001

CONTROL VALVE WITH "+" FUNCTION

Fig.	P/n	QTY	Name
------	-----	-----	------

Notes:
[R6.140 DCR 4V]

1	0.017.0791.4	1	spool valve
---	--------------	---	-------------



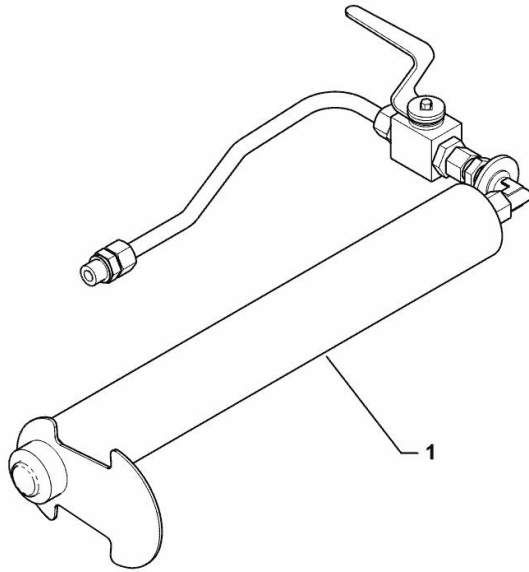
K9_L1698_23_0-A-001

COMFORT DRIVE WITH MECHANICAL CONTROL

Fig.	P/n	QTY	Name
------	-----	-----	------

Notes:
[R6.140 DCR 4V]

1	0.017.1112.4	1	accumulator
---	--------------	---	-------------



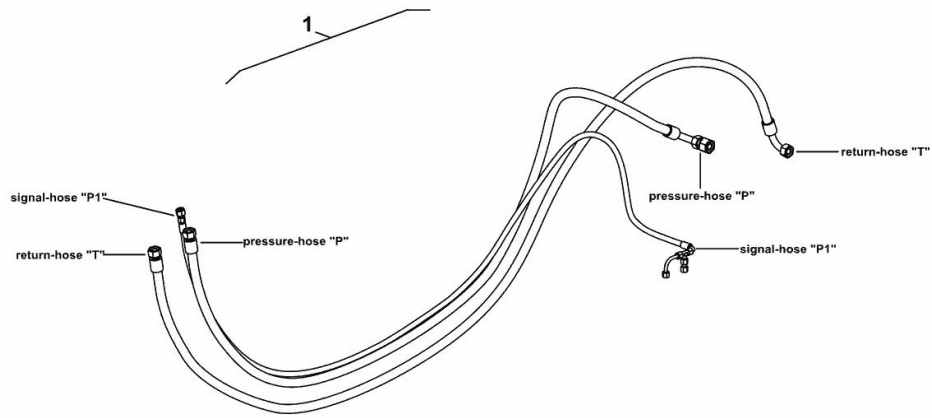
K9_L1698_44_0-A-001

Section: P0 - FRONT LOADER
PIPING LOAD SENSING

Fig.	P/n	QTY	Name
------	-----	-----	------

Notes:
[R6.140 DCR 4V]

1	0.016.7013.4	1	spare parts kit
---	--------------	---	-----------------



K9_J6598_03_0-A-001

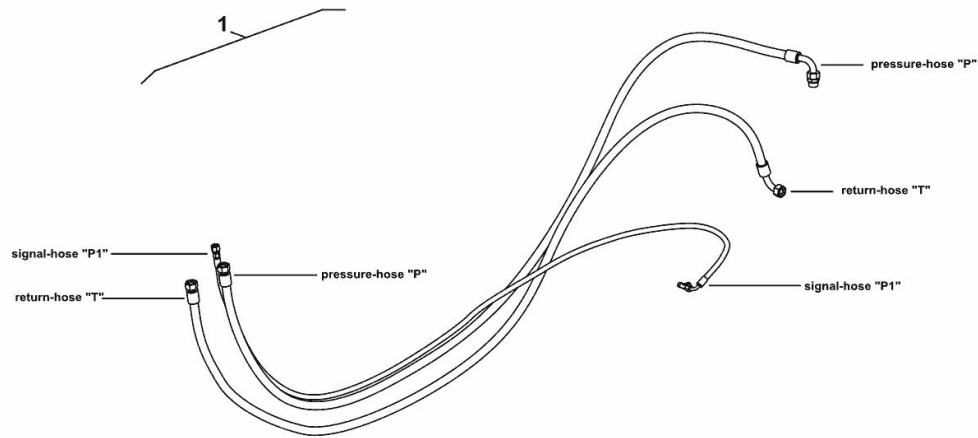
PIPING OPEN CENTER

Fig.	P/n	QTY	Name
------	-----	-----	------

Notes:

WITHOUT SUSPENDED AXLE [R6.140 DCR 4V]

1	0.016.7011.4	1	spare parts kit
---	--------------	---	-----------------



K9_J6598_01_0-A-001

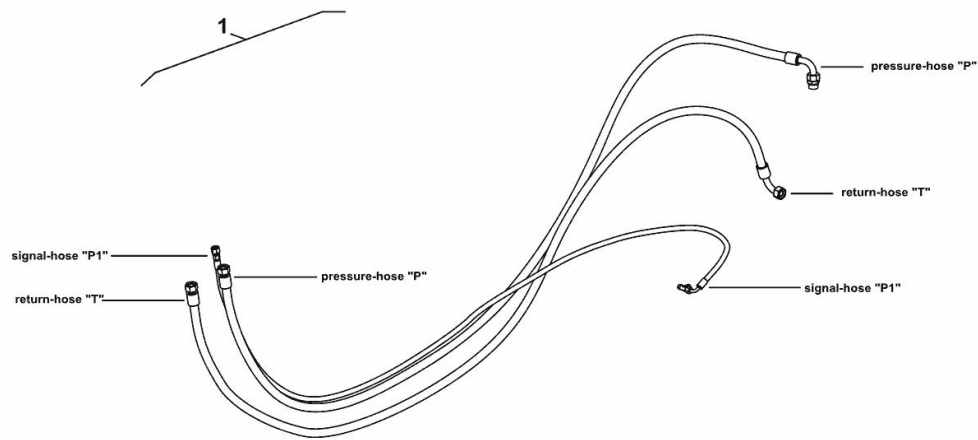
PIPING OPEN CENTER

Fig.	P/n	QTY	Name
------	-----	-----	------

Notes:

- WITH SUSPENDE AXLE [R6.140 DCR 4V]

1	0.016.7012.4	1	spare parts kit
---	--------------	---	-----------------



K9_J6598_02_0-A-001

Buy Now



Our support email:

ebooklibonline@outlook.com