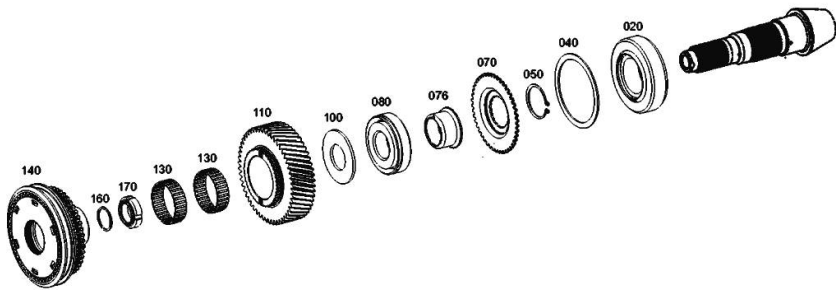


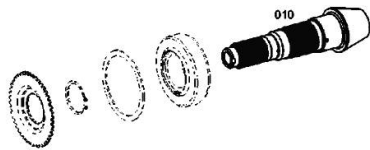
**BEVEL WHEEL GEAR - 2095 011 002**

Fig.	P/n	QTY	Name
160	04416566	1	shim mm 1.85
160	04416568	1	shim mm 1.95
160	04416569	1	shim mm 2.00
160	04416570	1	shim mm 2.05
160	04416571	1	shim mm 2.10
160	04416572	1	shim mm 2.15
160	04416574	1	shim mm 2.25
160	04416576	1	shim mm 2.35
160	04416577	1	shim mm 2.40
160	04416578	1	shim mm 2.45
160	04416579	1	shim mm 2.50
170	04416391	1	nut



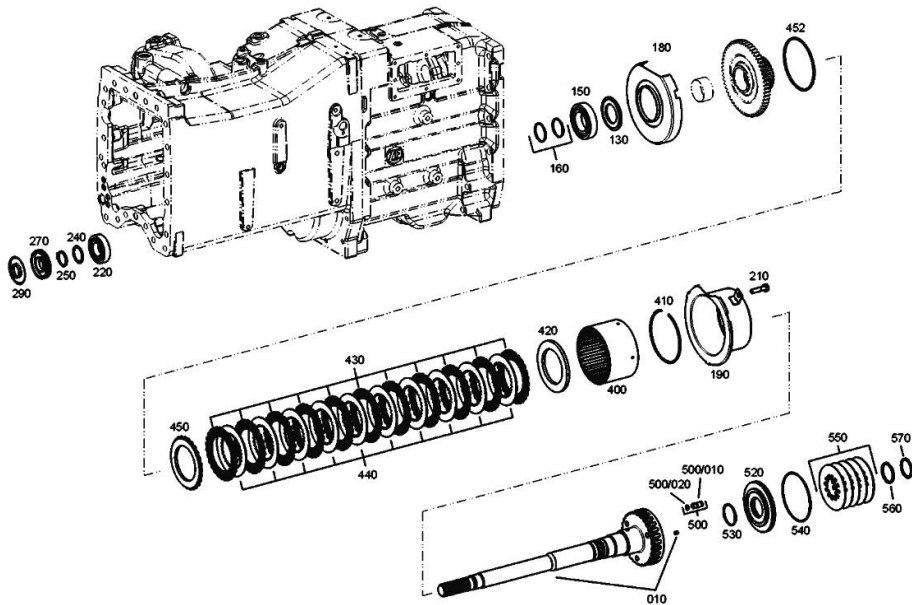
**BEVEL WHEEL GEAR - 2095 011 002**

Fig.	P/n	QTY	Name
10	0.900.1409.3	1	pinion Z = 10



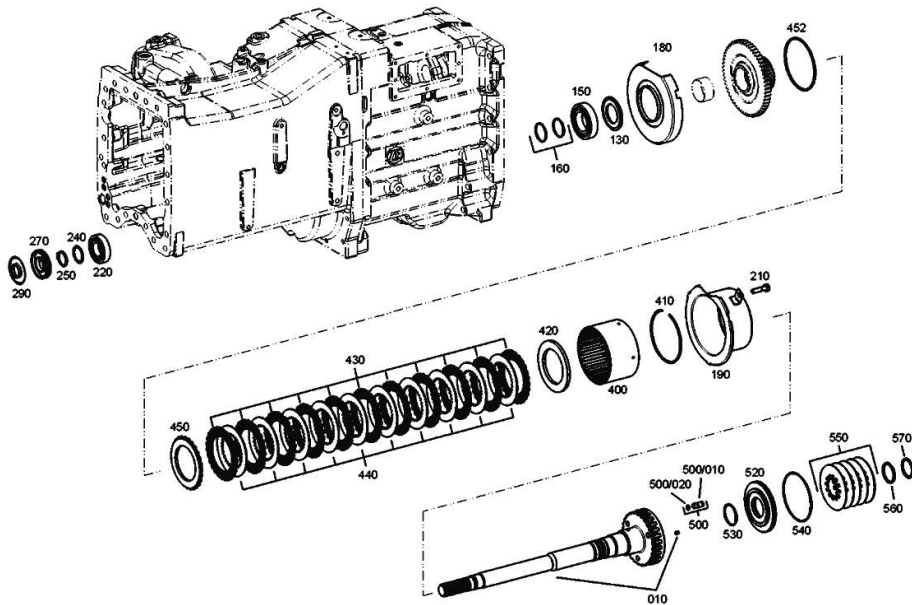
**FRONT TRANSMISSION - 2095 011 002**

Fig.	P/n	QTY	Name
10	0.900.2184.4	1	shaft
130	04416402	1	shim
150	0.010.3422.0	1	ball bearing
160	04416404	2	ring 48x2.5
180	04416405	1	division
190	04416406	1	division
210	04434553	1	screw m 10 x 40
220	04436319	1	ball bearing
240	0.010.3368.1	1	washer mm 2.20
240	0.010.3368.2	1	washer mm 2.40
240	0.010.3392.0	1	washer mm 1.10
240	0.010.3392.1	1	shim mm 1.20
240	0.010.3392.2	1	washer mm 1.30
240	0.010.3393.0	1	washer mm 1.40
240	0.010.3393.1	1	washer mm 1.50
240	0.010.3393.2	1	washer mm 1.60
240	0.010.3394.0	1	washer mm 1.70
240	0.010.3394.1	1	washer mm 1.80
240	0.010.3394.2	1	washer mm 2.00
240	0.900.2184.5	1	washer
240	04416581	1	shim mm 1.90
240	04416582	1	shim mm 2.10
240	04416583	1	shim mm 2.30
240	04416584	1	shim mm 2.50
240	04416585	1	shim mm 2.70
240	04416586	1	shim mm 2.90
240	04416587	1	shim mm 3.10
250	01273026	1	circlip 35x2.5
270	04416409	1	ring
290	04416410	1	plate
400	0.900.1537.6	1	plate carrier
410	0.900.0985.1	1	circlip
420	0.010.2875.2	1	shim mm 7.3
420	04416588	1	shim mm 5.5
420	04416589	1	shim mm 5.7
420	04416590	1	shim mm 5.9
420	04416591	1	shim mm 6.1
420	04416592	1	shim mm 6.3
420	04416593	1	shim mm 6.5
420	04416594	1	shim mm 6.7
420	04416595	1	shim mm 6.9
420	04416596	1	shim mm 7.1
420	04416597	1	shim mm 7.5
420	04416599	1	shim mm 7.7



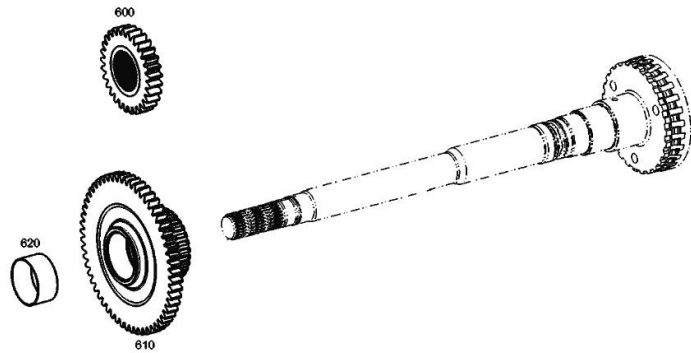
**FRONT TRANSMISSION - 2095 011 002**

Fig.	P/n	QTY	Name
420	04416600	1	shim mm 7.9
420	04416601	1	shim mm 8.1
420	04416602	1	shim mm 8.3
420	04416603	1	shim mm 8.5
420	04416604	1	shim mm 8.7
430	0.900.1498.0	1	disc
440	04416413	1	disc mm 2.0
450	04416414	1	washer
452	04415933	1	circlip mm 2.5
500	0.010.3437.2	1	pin
500.10	04416415	1	pin
500.20	04416416	1	oil seal 7x2.5
520	0.900.2184.6	1	piston
530	04419763	1	oil seal 50x3
540	0.900.0480.9	1	ring
550	0.900.2184.7	5	spring
560	04416420	1	shoulder ring
570	0.010.2863.2	1	circlip 45x2.5



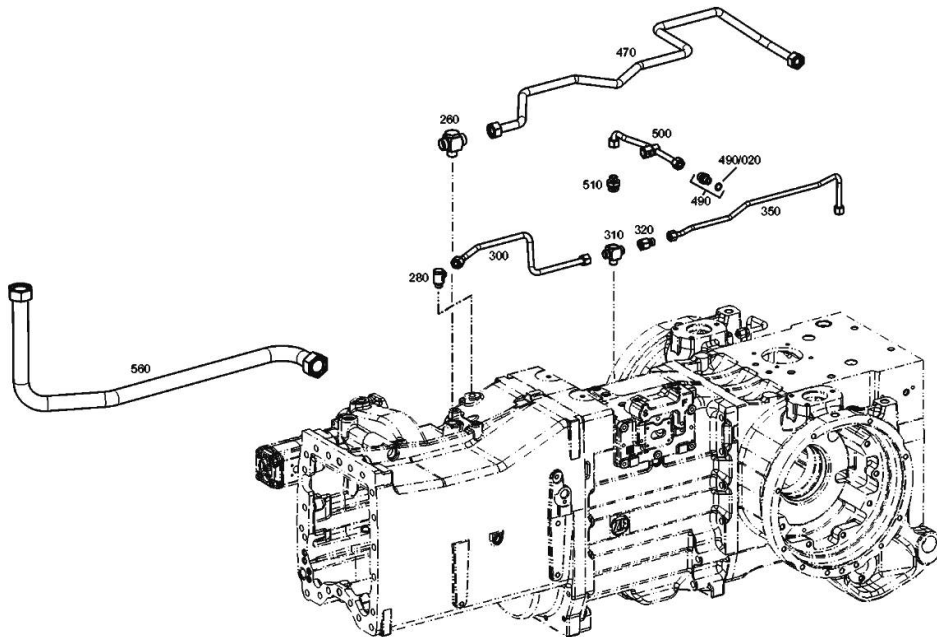
**FRONT TRANSMISSION - 2095 011 002**

Fig.	P/n	QTY	Name
600	04423288	1	gear Z = 29
610	0.900.0294.1	1	gear
620	0.010.3340.1	1	bush



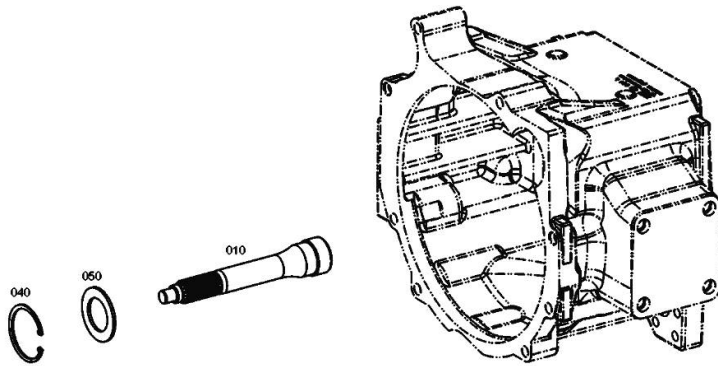
Section: D0 - TRANSMISSION  
**OIL SUPPLY - 2095 011 002**

Fig.	P/n	QTY	Name
260	04416647	1	screw
280	0.900.1362.6	1	straight union
300	0.900.2184.8	1	tube
310	04416428	1	screw
320	04417781	1	reduction
350	0.900.2184.9	1	tube
470	0.900.2185.0	1	tube
490	0.900.2185.1	1	pipe union
490.20	02315162	1	oil seal 13x2
500	0.900.2185.2	1	tube
510	0.010.3805.0	1	vent
560	0.900.2185.3	1	tube



**GEARBOX INPUT SHAFT - 2095 011 002**

Fig.	P/n	QTY	Name
10	0.900.2185.4	1	shaft
40	0.010.2883.2	1	circlip 85x3
50	04415635	1	washer



**Buy Now**



Our support email:

[ebooklibonline@outlook.com](mailto:ebooklibonline@outlook.com)