

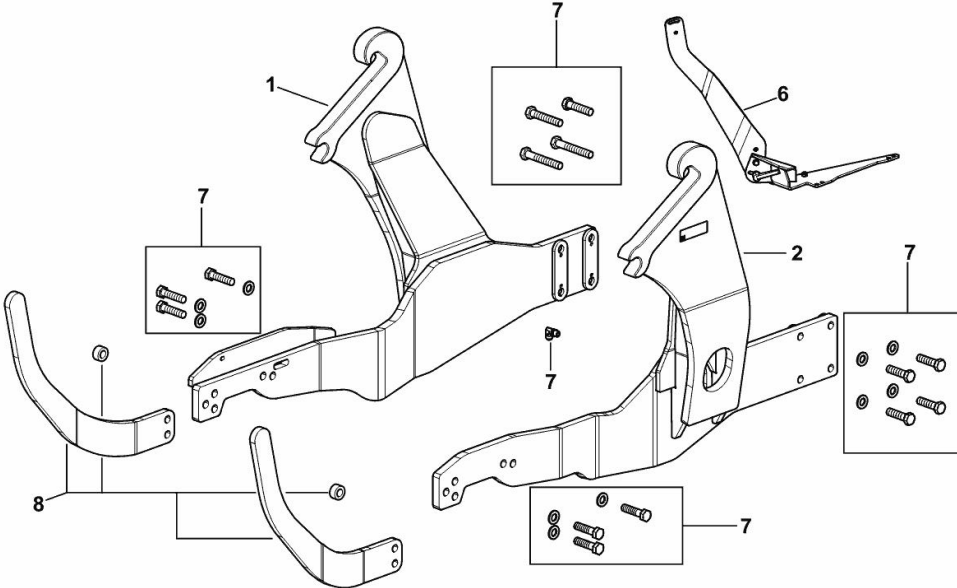
**FIXED FRAME**

Fig.	P/n	QTY	Name
------	-----	-----	------

Notes:  
 [R6.160 DCR -> 20001]

1	0.016.7448.3/10	1	bracket dx/rh/re
2	0.016.7447.3	1	bracket sx/lh/li
6	0.016.7452.4/10	1	bracket
7	0.016.7449.4/10	1	spare parts kit
8	04454367.4/10	1	spare parts kit

9\_J7398\_00\_0-A-001

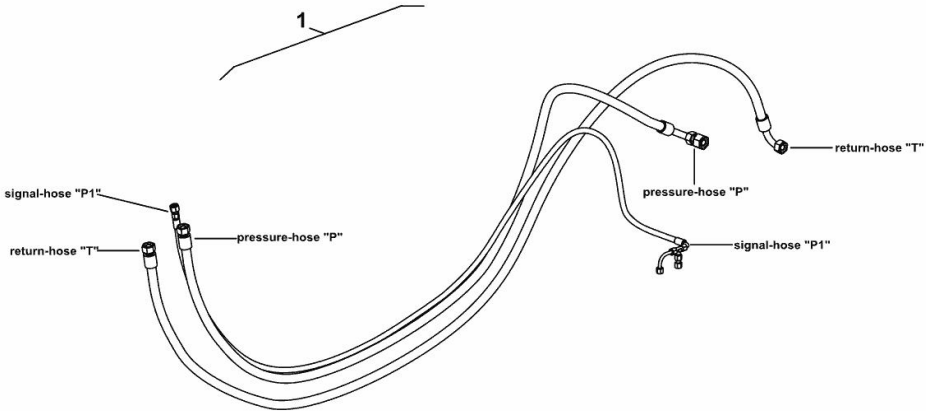


Section: P0 - FRONT LOADER  
**PIPING LOAD SENSING**

Fig.	P/n	QTY	Name
------	-----	-----	------

Notes:  
[R6.160 DCR -> 20001]

1	0.016.7013.4	1	spare parts kit
---	--------------	---	-----------------



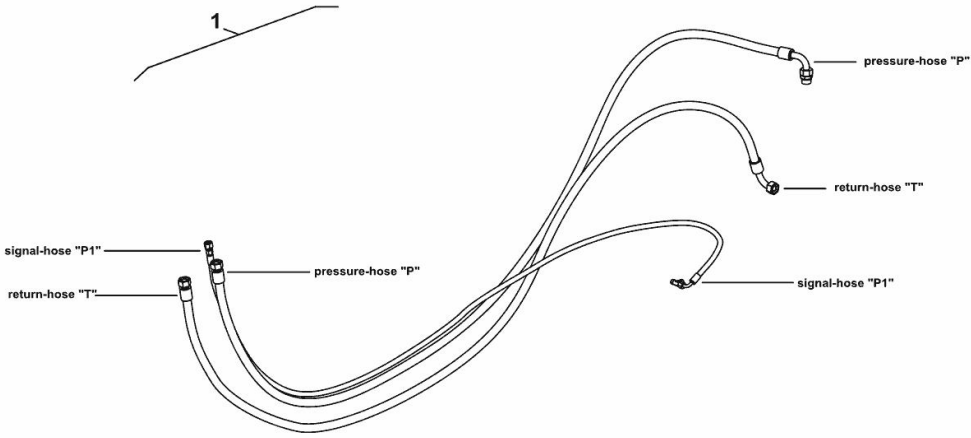
9\_J6598\_03\_0-A-001

Section: P0 - FRONT LOADER  
**PIPING OPEN CENTER**

Fig.	P/n	QTY	Name
------	-----	-----	------

Notes:  
WITHOUT SUSPENDED AXLE [R6.160 DCR -> 20001]

1	0.016.7011.4	1	spare parts kit
---	--------------	---	-----------------



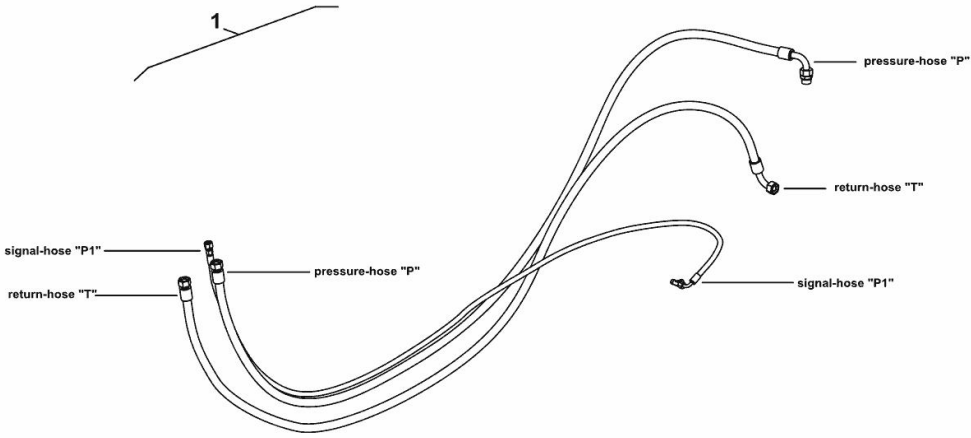
9\_J6598\_01\_0-A-001

Section: P0 - FRONT LOADER  
**PIPING OPEN CENTER**

Fig.	P/n	QTY	Name
------	-----	-----	------

Notes:  
- WITH SUSPENDED AXLE [R6.160 DCR -> 20001]

1	0.016.7012.4	1	spare parts kit
---	--------------	---	-----------------



9\_J6598\_02\_0-A-001

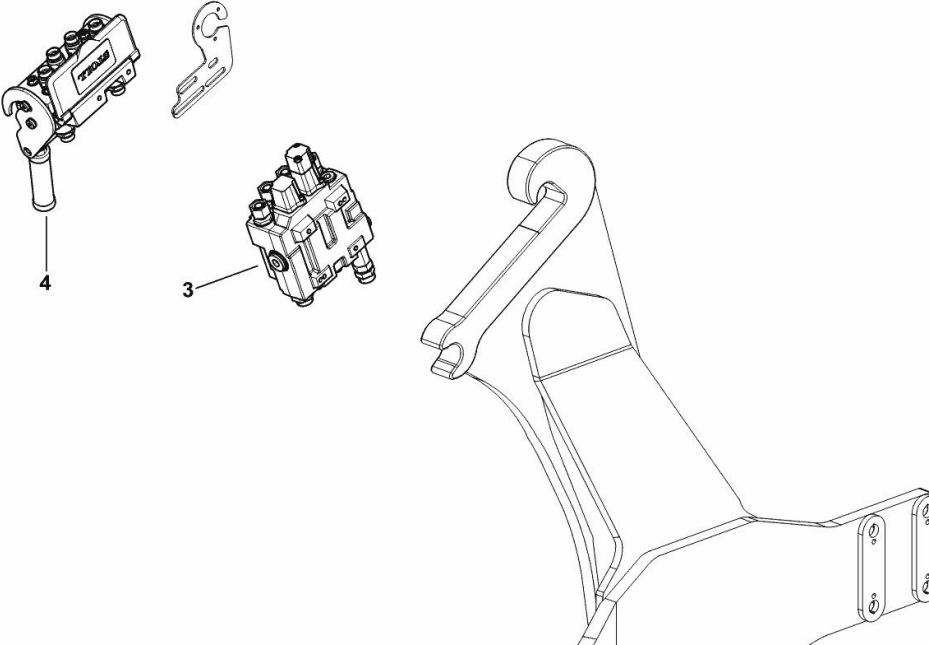
**DISTRIBUTOR**

Fig.	P/n	QTY	Name
------	-----	-----	------

Notes:  
[R6.160 DCR -> 20001]

3	0.018.7189.4	1	spool valve
4	0.014.8188.4	1	spool valve

9\_J7398\_00\_0-B-001

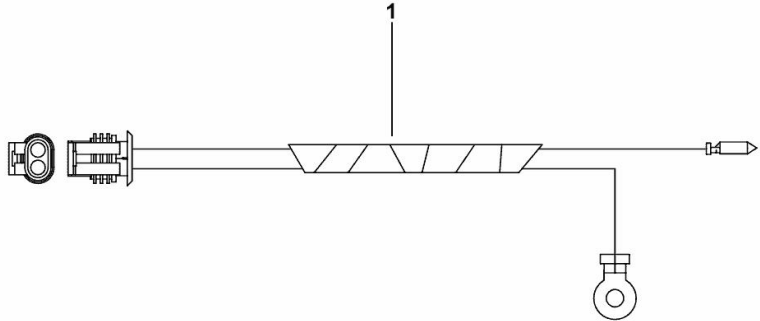


**PROVISION FOR FRONT LOADER**

Fig.	P/n	QTY	Name
------	-----	-----	------

Notes:  
[R6.160 DCR -> 20001]

1	0.014.5159.4	1	electric cable
---	--------------	---	----------------



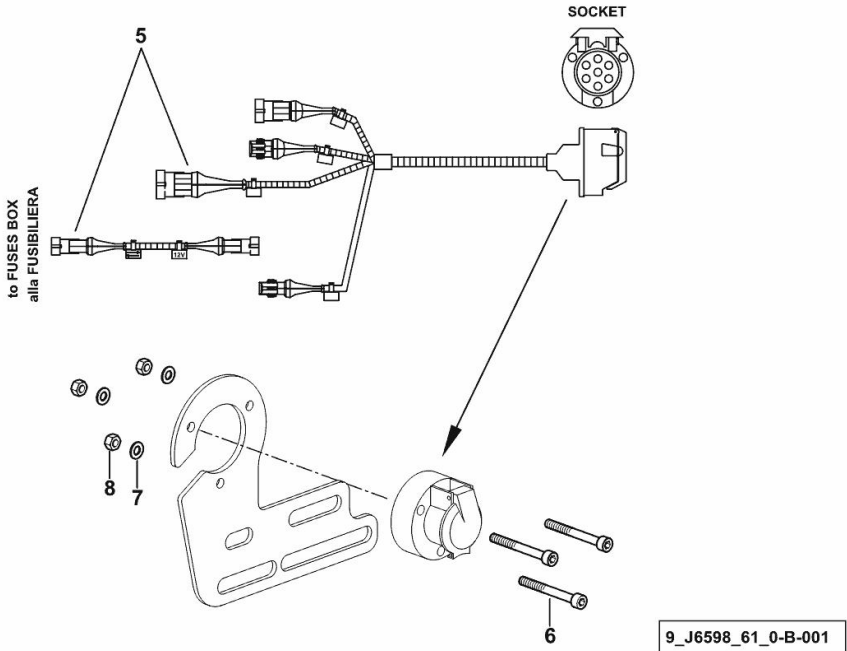
9\_B2084\_55\_0-A-001

**FRONT LOADER ELECTRICAL SYSTEM**

Fig.	P/n	QTY	Name
------	-----	-----	------

Notes:  
 [R6.160 DCR -> 20001]

5	0.014.4810.4	1	electrical system ☞ 0.014.4810.4
6	2.0312.015.2	3	screw m 5 p.0.8x45
7	2.1310.001.2	3	flat washer 5.3 x 10
8	2.1011.102.2	3	nut m 5 p.0.7



**Buy Now**



Our support email:

[ebooklibonline@outlook.com](mailto:ebooklibonline@outlook.com)