

ACCESSORIES

Fig.	P/n	QTY	Name
------	-----	-----	------

Notes:

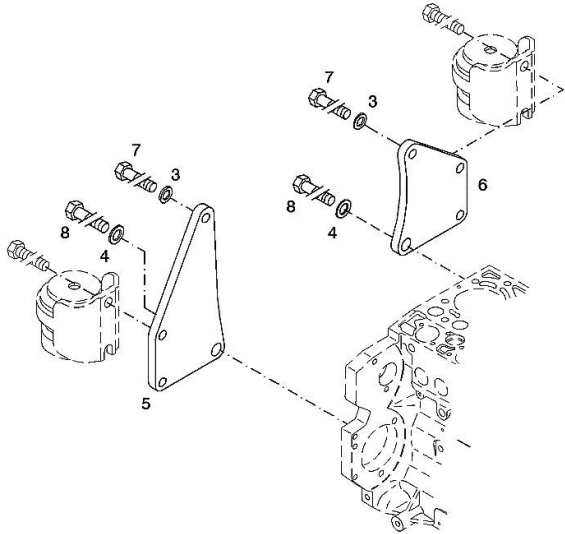
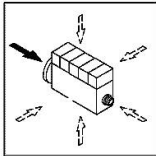
[R6.160 T4i Hi-Profile]

Engine serial number:

11240969 11252850 11252851 11252852 11283794 11283795 11283796 11292073 11292074 22000041 22000183 22000184 22000431

3	01182016	2	disc H 2308 -13X24X3-ZNAL-A
4	01181400	2	washer H 2308 -18X25X1,5-A4C
5	04206926	1	plate dx/rh/re
6	04206927	1	plate sx/lh/li
7	01148137	2	screw - UP TO MONTH OF ASSEMBLY (A) - FROM MONTH OF ASSEMBLY SEE POS. (B) A = 06.2009 B = POS. 950 DIN 931 -M12X75-10.9-ZNAL-A
8	01148037	2	screw UP TO MONTH OF ASSEMBLY (A) - FROM MONTH OF ASSEMBLY SEE POS. (B) A = 06.2009 B = POS. 951 ISO 4014 -M16X75-10.9-OELGESCHW
950	01149017	2	screw - FROM MONTH OF ASSEMBLY SEE POS. (B) - UP TO MONTH OF ASSEMBLY (A) FROM MONTH OF ASSEMBLY A = 07.2009 B = 7 DIN 34800 -BM12X75-10.9-ZNAL-A
951	01180235	2	screw - FROM MONTH OF ASSEMBLY SEE POS. (B) - UP TO MONTH OF ASSEMBLY (A) FROM MONTH OF ASSEMBLY A = 07.2009 B= Pos.8 H 2032 -HBM16X75-10.9-GESCHW

003 ©

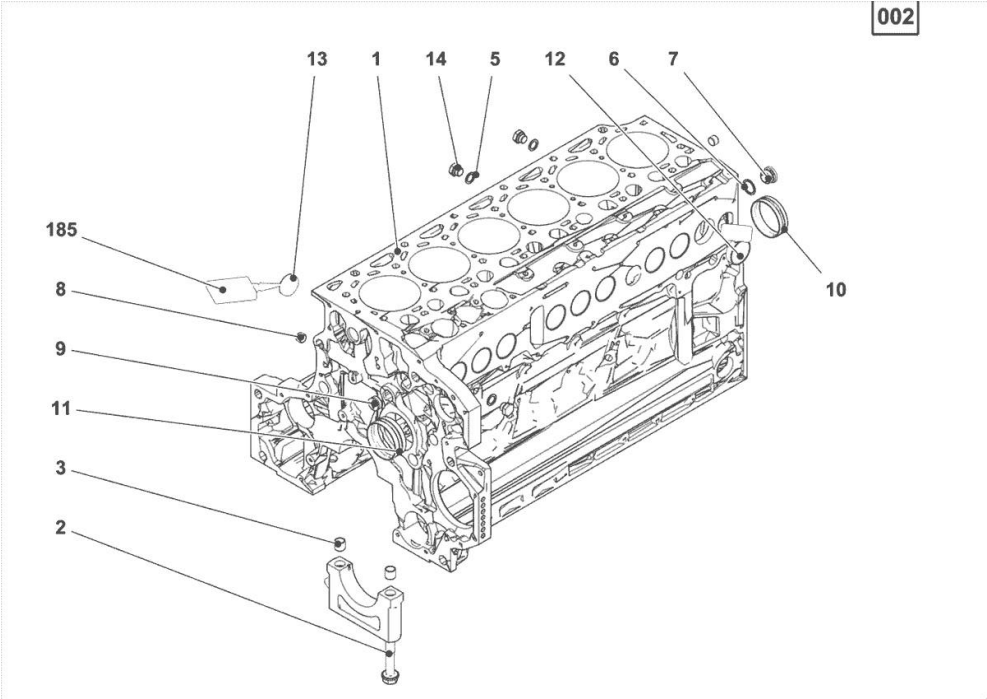


Section: B0 - ENGINE
KURBELGEHAEUSE

Fig.	P/n	QTY	Name
------	-----	-----	------

Notes:
[R6.160 T4i Hi-Profile]

Engine serial number:
22000041 22000183 22000184



185	01319910	1	guard
1	04505233	1	crankcase MIT POS.... (2,3,5-14)
2	04254240	14	screw 50 Nm , 90° , 90°
3	04160764	14	bushing
5	01148836	2	oil seal DIN 7603 -D14X20-CU-VERZINNT
6	01148863	1	rubber plug DIN 7603 -D22X27-CU-VERZINNT
7	04292706	1	plug 80 Nm
8	01182031	2	screw 35 Nm H 2812 -906-M14X1,5-ST-A3C-LOCTITE506
9	04226536	1	bottom 30 Nm
10	04251884	6	plug
11	04507765	1	bushing
12	01148032	9	cover DIN 443 -A45-ZNPHR
13	01148031	6	plug DIN 443 -A36-ZNPHR
14	01100940	2	screw 35 Nm DIN 7604 -AM14X1,5-ST-A4C

ACCESSORIES

Fig.	P/n	QTY	Name
------	-----	-----	------

Notes:

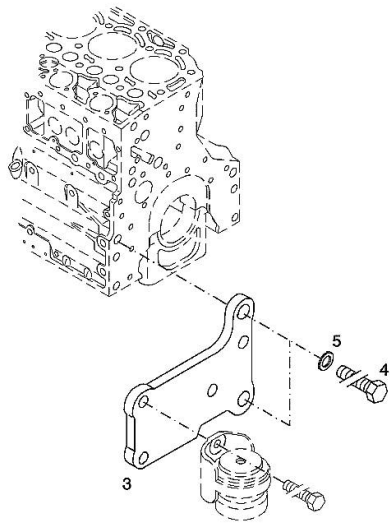
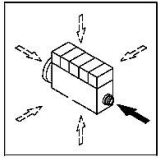
[R6.160 T4i Hi-Profile]

Engine serial number:

11283794 11283795 11283796 11292073 11292074

3	04288660	1	support
4	01148261	2	screw ISO 4017 -M16X40-10.9-ZNAL-A
5	01181400	2	washer H 2308 -18X25X1,5-A4C

003 ©



Section: B0 - ENGINE

OIL FILLER NECK

Fig.	P/n	QTY	Name
------	-----	-----	------

Notes:

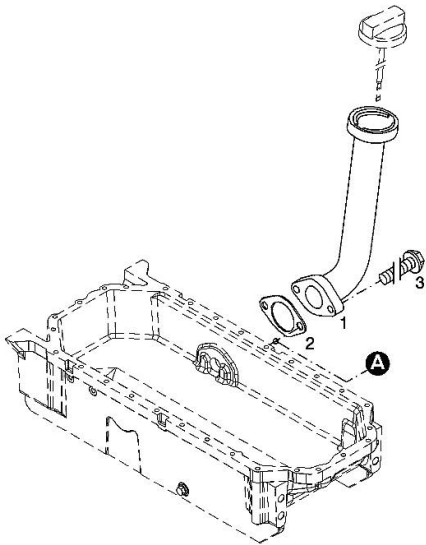
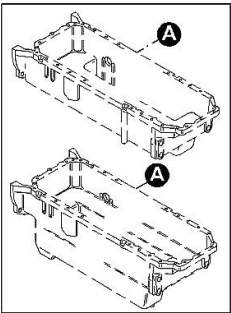
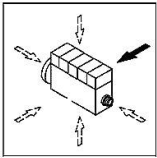
[R6.160 T4i Hi-Profile]

Engine serial number:

11240969 11252850 11252851 11252852 11283794 11283795 11283796 11292073 11292074 22000183 22000184
22000431

1	04207099	1	tube
2	01178421	1	gasket
3	01181433	2	screw
			30 Nm

001 ©



PLUG

Fig.	P/n	QTY	Name
------	-----	-----	------

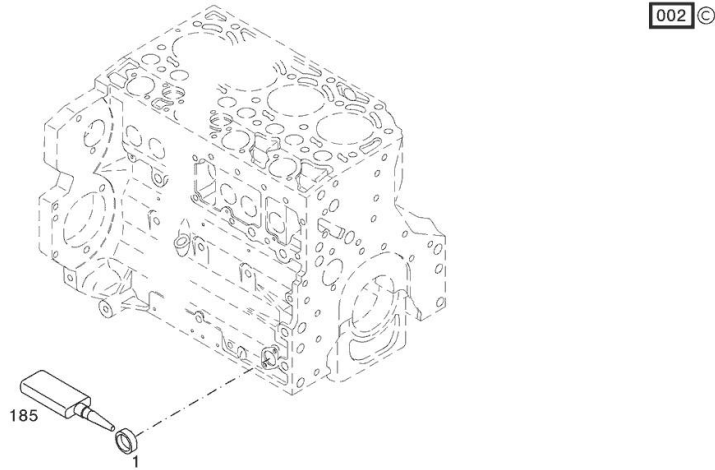
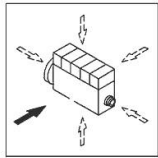
Notes:

[R6.160 T4i Hi-Profile]

Engine serial number:

11240969 11252850 11252851 11252852 11283794 11283795 11283796 11292073 11292074 22000041 22000183
22000184 22000431

1	01148031	1	plug DIN 443 -A36-ZNPHR
185	01319911	1	sealing compound ml. 50



FILLER CAP

Fig.	P/n	QTY	Name
------	-----	-----	------

Notes:

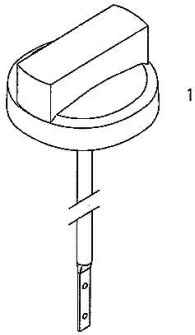
[R6.160 T4i Hi-Profile]

Engine serial number:

11240969 11252850 11252851 11252852 11283794 11283795 11283796 11292073 11292074 22000041 22000183
22000184 22000431

1	01180341	1	plug H 2875 -B2-OL40-166X4X145X15
---	----------	---	--------------------------------------

000



PISTON COOL.NOZZLE

Fig.	P/n	QTY	Name
------	-----	-----	------

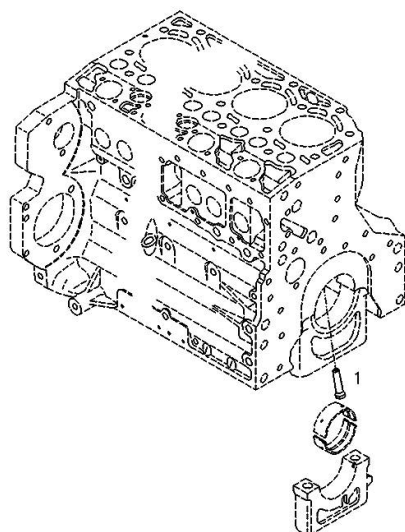
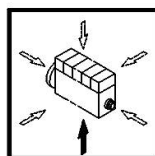
Notes:

[R6.160 T4i Hi-Profile]

Engine serial number:

11240969 11252850 11252851 11252852 11283794 11283795 11283796 11292073 11292074 22000041 22000183
22000184 22000431

1	04207521	6	sprayers
---	----------	---	----------



001 ©

0507 0470

FLANGE

Fig.	P/n	QTY	Name
------	-----	-----	------

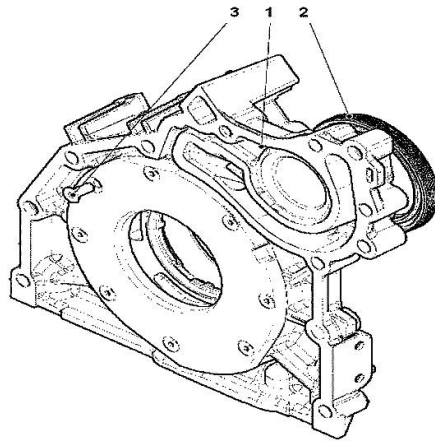
Notes:

[R6.160 T4i Hi-Profile]

Engine serial number:

11240969 11252850 11252851 11252852 11283794 11283795 11283796 11292073 11292074 22000041 22000183
22000184 22000431

1	04502445	1	oil pump WITH POS.... (2,3)
2	04502202	1	special oil seal
3	01133718	8	screw 8.5 Nm DIN 7991 -M6X16-8.8-A4C



000

Buy Now



Our support email:

ebooklibonline@outlook.com