

CLUTCH 2093 009 102

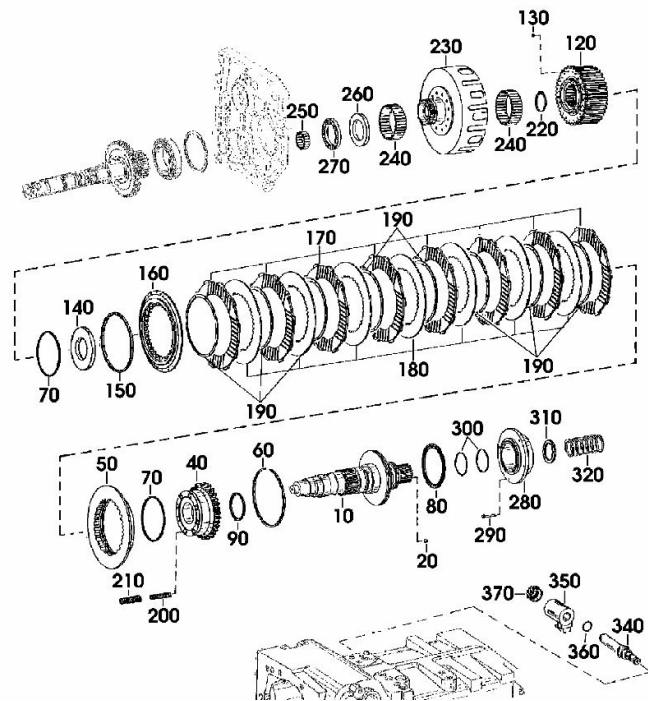


Fig.	P/n	QTY	Name
10	0.010.2909.2	1	shaft Z = 38
20	04416947	2	grub screw m 8x8
40	0.010.2910.0	1	piston Z = 48
50	0.010.2910.1	1	plate
60	04431758	1	circlip SB 143
70	04431759	2	special oil seal 106x3
80	04431755	1	special oil seal
90	04431760	1	special oil seal
120	0.010.2910.2	1	plate carrier
130	04431762	31	cover
140	04431763	1	plate
150	04416748	1	washer mm 5.10
150	04417004	1	washer
150	04417205	1	washer mm 2.60
150	04417206	1	washer mm 2.70
150	04417207	1	washer mm 2.80
150	04417208	1	washer mm 2.90
150	04417209	1	washer mm 3.00
150	04417210	1	washer mm 3.10
150	04417211	1	washer mm 3.20
150	04417212	1	washer mm 3.30
150	04417213	1	washer mm 3.40
150	04417214	1	washer mm 3.50
150	04417215	1	washer mm 3.6
150	04417216	1	washer mm 3.70
150	04417217	1	washer mm 3.80
150	04417218	1	washer mm 3.90
150	04417219	1	washer mm 4.00
150	04417220	1	washer mm 4.10
150	04417221	1	washer mm 4.20
150	04417222	1	washer mm 4.30
150	04417223	1	washer mm 4.40
150	04417224	1	washer mm 4.50
150	04417225	1	washer mm 4.60
150	04417226	1	washer mm 4.70
150	04417227	1	washer mm 4.80
150	04417228	1	washer mm 4.90
150	04417229	1	washer mm 5.00
150	04423191	1	washer mm 5.60
150	04427550	1	washer mm 5.5
150	04427551	1	washer mm 5.40
150	04434490	1	washer mm 5.20
150	04434491	1	washer mm 5.30
150	04439012	1	washer mm 2.30

CLUTCH 2093 009 102

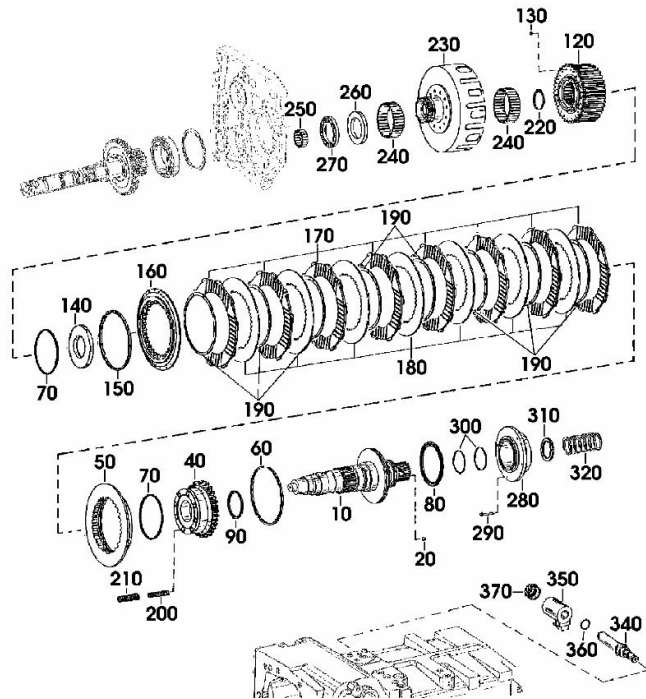


Fig.	P/n	QTY	Name
150	04439013	1	washer mm 2.40
150	04439014	1	washer mm 2.50
160	04416788	1	disc
170	0.900.0881.9	9	disc
170	0.900.1362.9	9	(...) <- disc Z = 50 > (...)
170	04419769	9	disc Z = 10 > (...) - (...) <- > (...) - (...) <-
180	04416795	8	thin plate
190	0.900.1281.1	9	spring > (...)
190	04416796	1	stop (...) <-
200	0.010.3420.1	8	spring
210	04431765	8	spring
220	0.010.2609.0	1	circlip 50x3
230	0.010.2911.0	1	clutch housing (...) <-
230	0.900.0883.9	1	flange > (...)
240	04417001	2	roller cage
250	04415815	1	roller cage
260	04417183	1	ring mm 6.65
260	04417184	1	ring mm 6.75
260	04417185	1	ring mm 6.85
260	04417186	1	ring mm 6.30
260	04417187	1	ring mm 6.40
260	04417188	1	ring mm 6.50
260	04417189	1	ring mm 6.60
260	04417190	1	ring mm 6.70
260	04417191	1	ring mm 6.80
260	04417192	1	ring mm 6.90
260	04417193	1	ring mm 7.00
260	04417194	1	ring mm 7.10
260	04417195	1	ring mm 7.20
260	04417196	1	ring mm 7.30
260	04417197	1	ring mm 7.40
260	04417198	1	ring mm 6.95
270	04433612	1	bearing
280	04435184	1	ring
290	04435185	4	screw m 8 x 40
300	04431754	2	oil seal

CLUTCH 2093 009 102

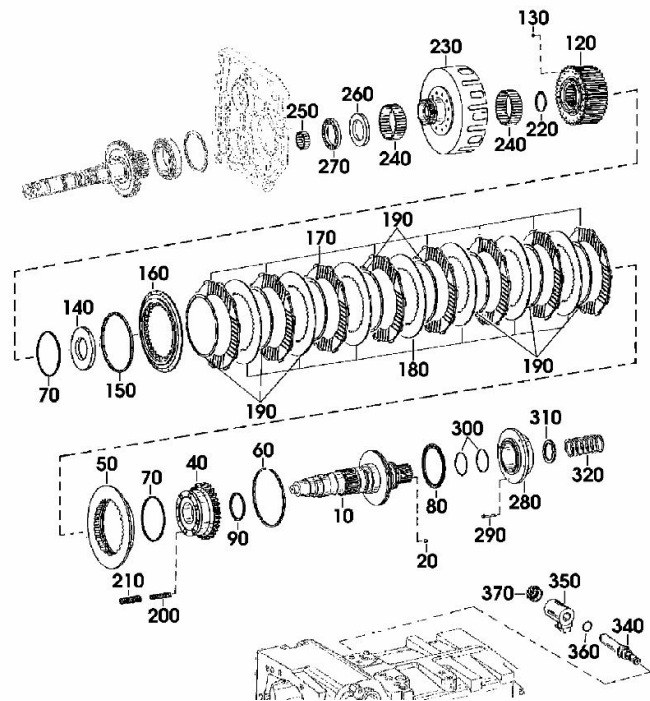
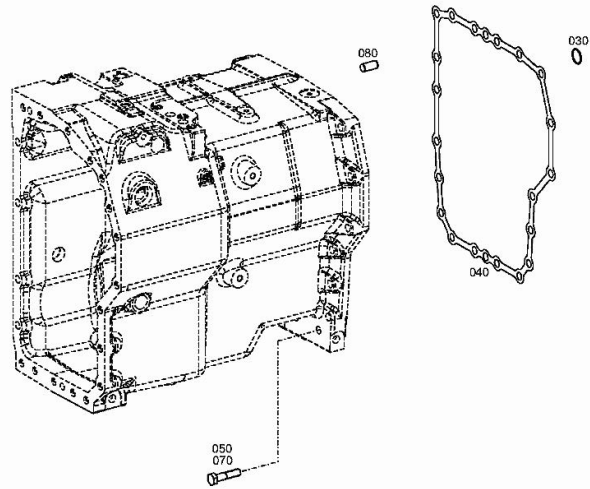


Fig.	P/n	QTY	Name
310	0.010.2911.1	1	washer mm 2.8
310	0.010.2911.2	1	washer mm 2.9
310	0.010.2912.0	1	washer mm 3.0
310	0.010.2912.1	1	washer mm 3.1
310	0.010.2912.2	1	washer mm 3.2
310	0.900.1380.0	1	washer
310	04435722	1	washer mm 3.3
310	04435723	1	washer mm 3.4
310	04435727	1	washer mm 3.5
310	04435728	1	washer mm 4.2
310	04435729	1	washer mm 3.6
310	04435730	1	washer mm 3.7
310	04435731	1	washer mm 3.8
310	04435732	1	washer mm 3.9
310	04435734	1	washer mm 4.1
310	04435735	1	washer mm 4.3
310	04435736	1	washer mm 4.4
310	04436241	1	washer mm 4.0
320	04435183	1	spring
340	0.900.0881.8	1	solenoid valve
350	04434425	1	electromagnet
360	04434427	1	oil seal
370	04434426	1	nut
			(...) <-
			(...) <-
			(...) <-
			(...) <-

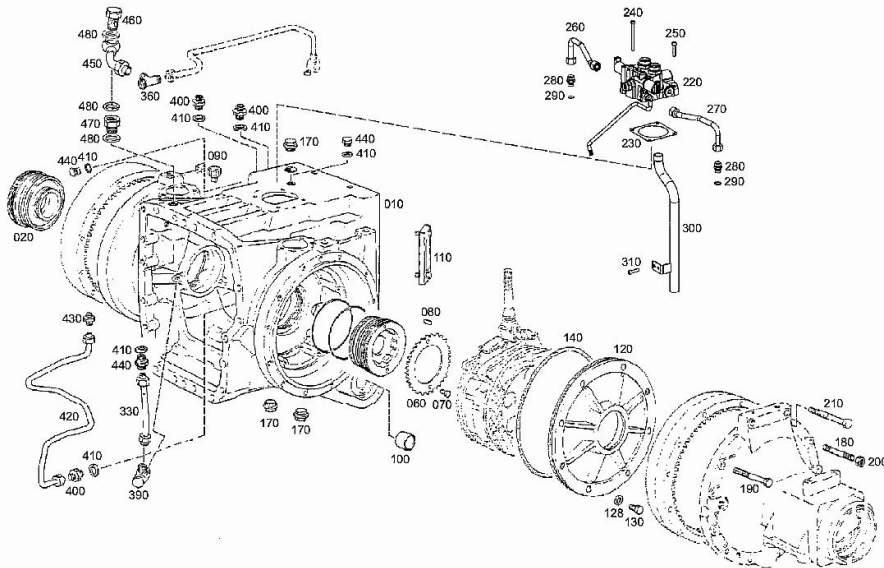
ACCESSORIES 2093 009 102

Fig.	P/n	QTY	Name
30	0.010.2863.1	1	circlip 30
40	0.900.1379.0	1	gasket
40	04416069	1	gasket mm 0.25
40	04416996	1	gasket mm 0.20
50	0.010.2913.0	1	screw m 14x100
70	0.010.2887.1	19	screw m 14 x 60
80	04416090	2	cylindrical plug 16 m 6x30



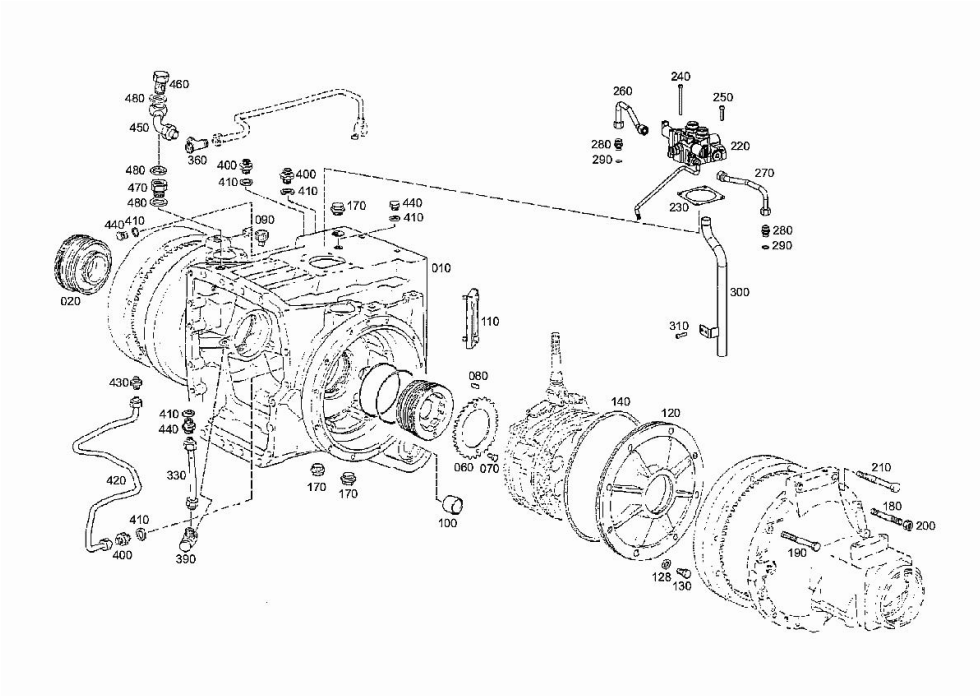
REAR GEARBOX CASE 2093 009 102

Fig.	P/n	QTY	Name
10	0.900.0045.0	1	box
20	04428944	1	register
40	04428945	1	register
50	0.900.0278.7	2	ring
60	04417449	2	plate
70	04435695	4	screw m 8 x 16
80	04435703	2	pin 5 x 20
90	04417453	1	plug
100	04417451	2	bushing
110	04419731	1	level indicator
120	0.010.2971.2	2	plate (...) <- -> (...)
120	0.900.1239.5	2	cover -> (...)
128	0.900.0277.9	4	washer
130	0.900.0279.7	16	screw m 12 x 40
140	04428220	2	oil seal 305x4
170	0.010.3849.1	3	plug
180	0.010.2972.1	4	screw
190	0.900.0469.2	24	screw m 12x130
200	0.900.0281.4	4	nut m 12
210	0.900.0469.3	4	screw m 12x140
220	0.900.0882.0	1	valve body (...) <- -> (...)
220	0.900.0984.8	1	valve -> (...)
230	0.900.0885.3	1	gasket
240	0.900.0882.4	2	screw m 8x95
250	0.900.0882.1	2	screw m 8 x 40
260	0.900.0883.0	1	tube (...) <- -> (...)
260	0.900.0954.0	1	gasket -> (...)
270	0.900.0883.1	1	tube (...) <- -> (...)
270	0.900.0954.1	1	pipng -> (...)
280	0.900.0282.3	2	pipe union
290	0.900.0290.5	2	circlip (...) <- -> (...)
290	0.900.0985.0	2	oil seal 18 x 24 -> (...)
300	0.900.0883.3	1	tube
310	04434509	2	screw m 8 x 30



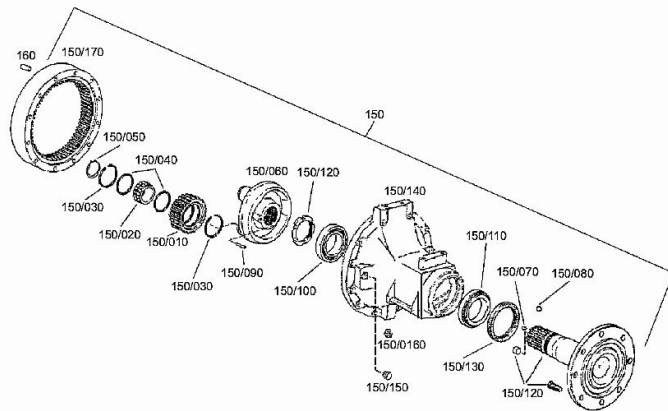
REAR GEARBOX CASE 2093 009 102

Fig.	P/n	QTY	Name
330	0.010.2973.0	1	pipng
360	04435710	1	vent
390	04417707	1	pipe fitting
400	04417466	4	pipe fitting
410	04423731	6	oil seal 14 x 18
420	0.010.2899.2	1	tube
430	04417705	1	vent
440	0.900.0281.0	2	plug m 14 p.1.5
450	0.010.3826.0	1	pipng
460	04415923	1	pipe union 18 DIN 7643
470	0.010.3826.2	1	pipe fitting
480	01118737	3	oil seal 22 x 27



REAR GEARBOX CASE 2093 009 102

Fig.	P/n	QTY	Name
150	0.900.1363.5	2	tube
150.10	0.900.1363.6	3	planet gear z=60
150.20	0.900.0282.8	3	roller bearing
150.30	0.900.0278.1	6	circlip
150.40	0.900.0282.6	6	slewing ring 72x80.8x1
150.50	0.010.2888.1	3	circlip 55 x 2.0
150.60	0.900.0985.5	1	carrier
150.70	0.010.3588.2	1	grub screw m 10x16
150.80	04417322	1	ball
150.90	0.900.0278.3	1	roll pin 8x90
150.100	0.010.3581.0	1	roller bearing
150.110	0.900.0953.8	1	roller bearing
150.120	0.900.0968.1	1	axle shaft
150.130	0.010.3642.2	1	ring
150.140	0.900.0985.7	1	counter shaft
150.150	0.010.3847.2	2	stop (...) <- plug -> (...)
150.150	0.900.0001.8	2	plug -> (...)
150.160	0.010.3849.0	1	plug
150.170	0.900.1289.8	1	crown wheel -> (...)
150.170	04417561	1	oil seal (...) <-
160	0.900.0278.2	2	pin 12 x 24



Buy Now



Our support email:

ebooklibonline@outlook.com