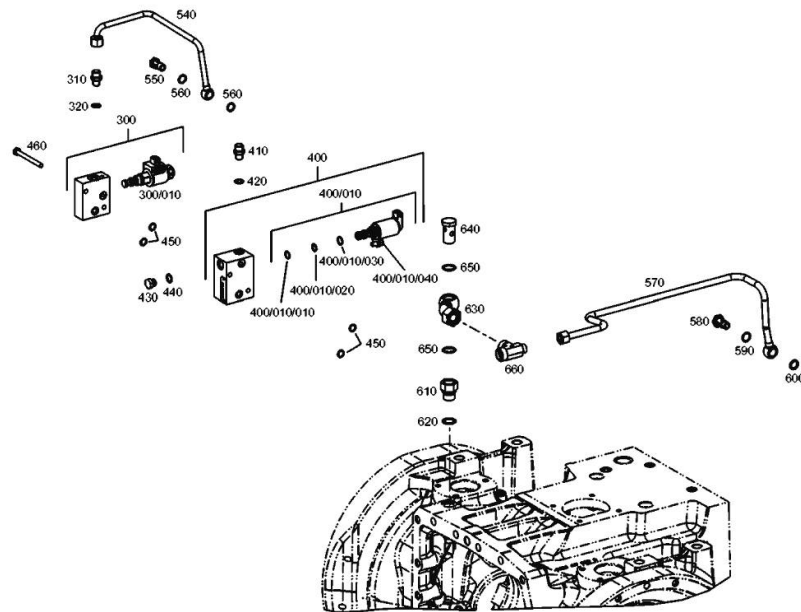


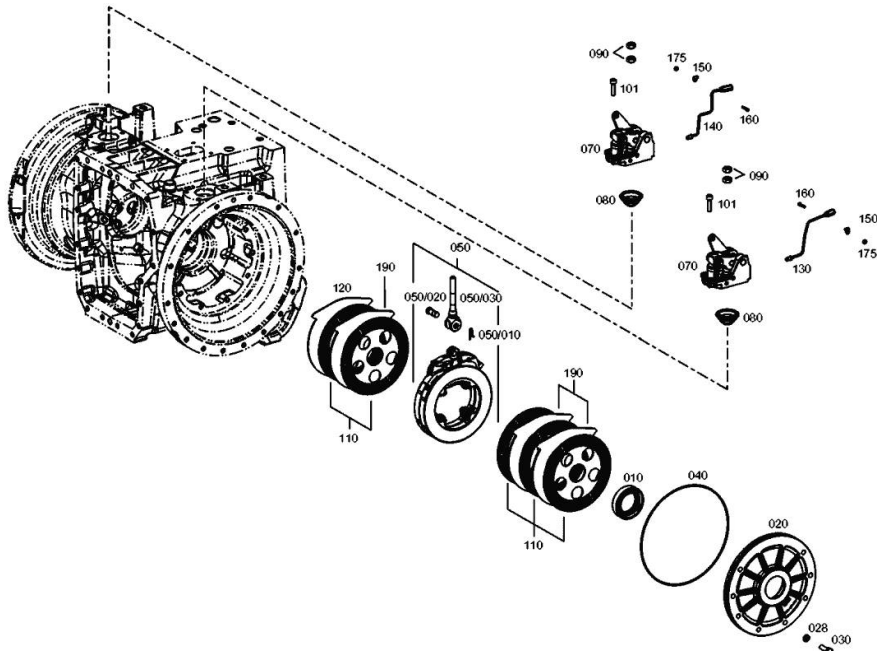
OIL SUPPLY 2093 011 015

Fig.	P/n	QTY	Name
300	0.900.1363.3	1	small block
300.10	0.900.1384.6	1	solenoid valve
310	04417466	1	pipe fitting
320	04423731	1	oil seal 14 x 18
400	0.900.0952.1	1	control
400.10	0.900.0952.8	1	solenoid valve DV
400.10.10	0.900.1377.6	1	gasket 13 x 1.5
400.10.20	0.900.1377.5	1	gasket 12,4 x 1,78
400.10.30	0.900.1377.7	1	gasket 14x1.78
400.10.40	0.900.1377.8	1	screw m 8 x 16
410	04417466	1	pipe fitting
420	04423731	1	oil seal 14 x 18
430	0.900.0281.0	1	plug m 14 p.1.5
440	04423731	1	oil seal 14 x 18
450	0.900.0801.4	4	ring 11,3 x 2,4 NBR-70-10
460	0.900.1363.4	2	screw
540	0.900.1363.2	1	tube
550	0.900.0282.1	1	pipe union
560	04423731	2	oil seal 14 x 18
570	0.010.2894.2	1	pipng
580	04427560	1	pipe union
590	04436331	1	oil seal 16 x 20
600	0.010.2895.0	1	gasket 14x20
610	0.010.3826.2	1	pipe fitting
620	01118737	1	oil seal 22 x 27
630	0.010.3826.0	1	pipng
640	04415923	1	pipe union 18 DIN 7643
650	01118737	2	oil seal 22 x 27
660	04435710	1	vent



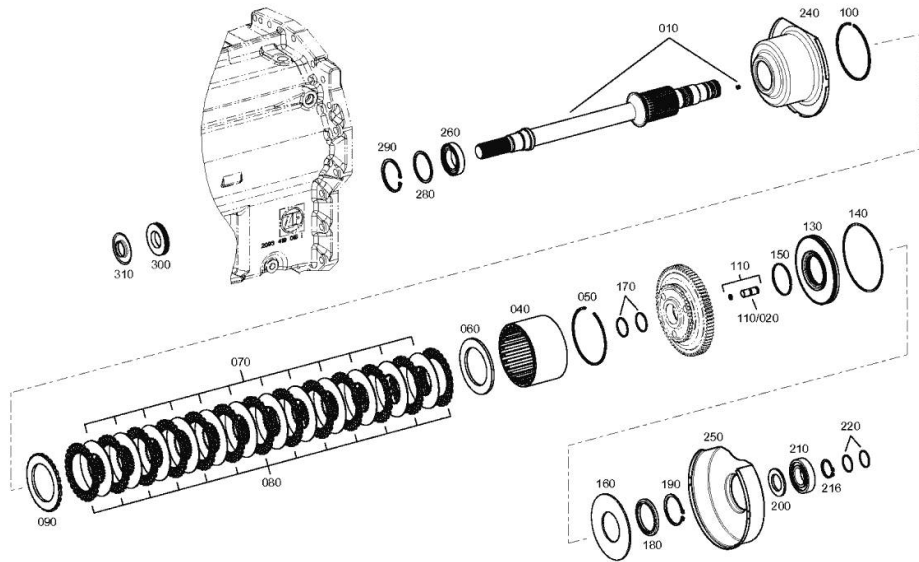
Section: D0 - TRANSMISSION
OIL SUPPLY 2093 011 015

Fig.	P/n	QTY	Name
10	04417316	2	oil seal
20	0.900.1239.5	2	cover
28	0.900.0277.9	4	washer
30	0.900.0279.7	16	screw m 12 x 40
40	04428220	2	oil seal 305x4
50	0.900.1583.9	2	transmission brake
50.10	04435741	1	split pin
50.20	04435740	1	pin
50.30	04428551	1	rod
70	0.900.2018.5	2	operation
80	0.900.0800.9	2	rubber bushing
90	04434557	4	nut m 14 p.1.5
101	0.900.0469.7	6	screw m 10 x 40
110	0.900.1584.6	10	disc
120	0.900.0801.3	2	disc
130	04428545	1	tube sx/lh/li
140	04428546	1	pipng dx/rh/re
150	0.900.0468.2	2	clamp 6x12
160	0.900.0280.1	2	screw m 5 x 25
175	0.900.0281.6	2	nut
190	0.900.0946.6	6	thin plate



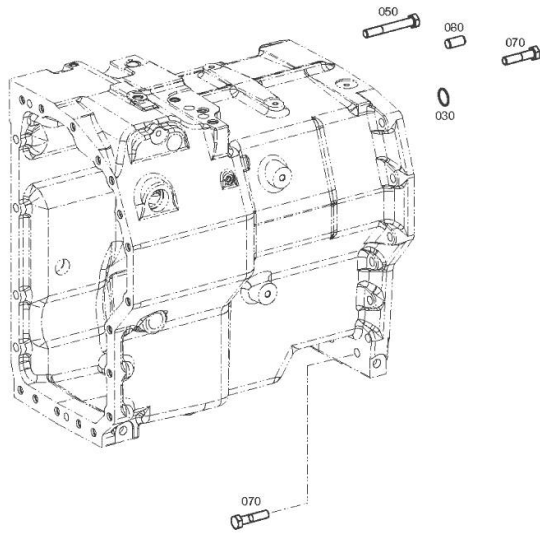
BRAKE CONTROLS 2093 011 015

Fig.	P/n	QTY	Name
280	0.010.3260.0	1	washer mm 2.15
280	0.010.3260.1	1	washer mm 2.25
280	0.010.3260.2	1	washer mm 2.35
280	0.010.3261.0	1	washer mm 2.45
280	0.010.3261.1	1	washer mm 2.55
280	0.010.3261.2	1	washer mm 2.65
280	0.900.2047.2	1	disc S = 1.70
280	0.900.2047.3	1	disc S = 1.80
280	0.900.2047.4	1	disc S = 1.90
280	04417009	1	washer mm 2.20
280	04417010	1	washer mm 2.30
280	04417011	1	washer mm 2.40
280	04417012	1	washer mm 2.50
280	04417013	1	washer mm 2.60
280	04417014	1	washer mm 2.70
280	04417015	1	washer mm 2.80
280	04424426	1	washer mm 2.90
280	04424427	1	washer mm 3.00
280	04424428	1	washer mm 3.10
280	04424429	1	washer mm 3.20
290	04415949	1	circlip 75x3
300	04415950	1	oil seal
310	04415951	1	plate



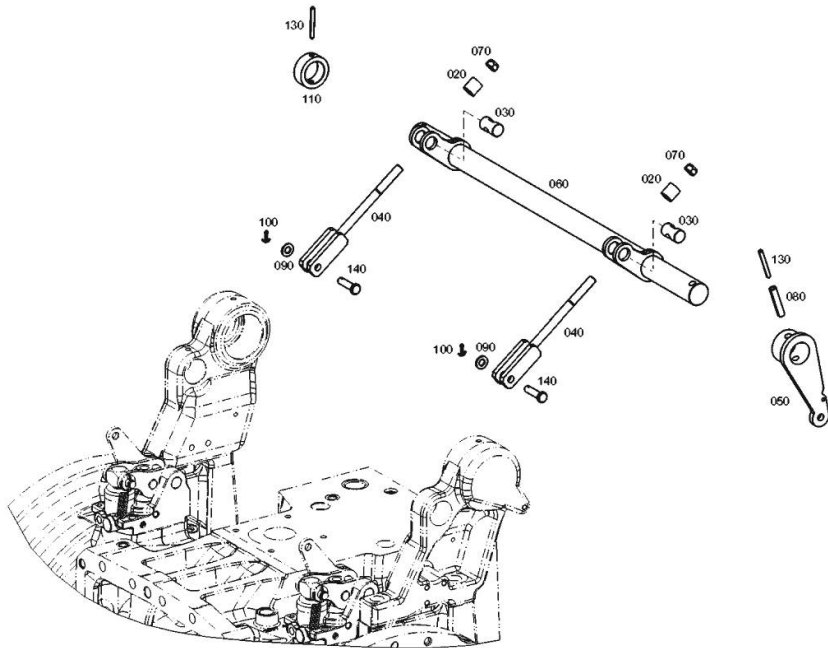
Section: D0 - TRANSMISSION
FASTENINGS 2093 011 015

Fig.	P/n	QTY	Name
30	0.010.2863.1	1	circlip 30
50	0.010.2913.0	1	screw m 14x100
70	0.010.2887.1	19	screw m 14 x 60
80	04416090	2	cylindrical plug 16 m 6x30



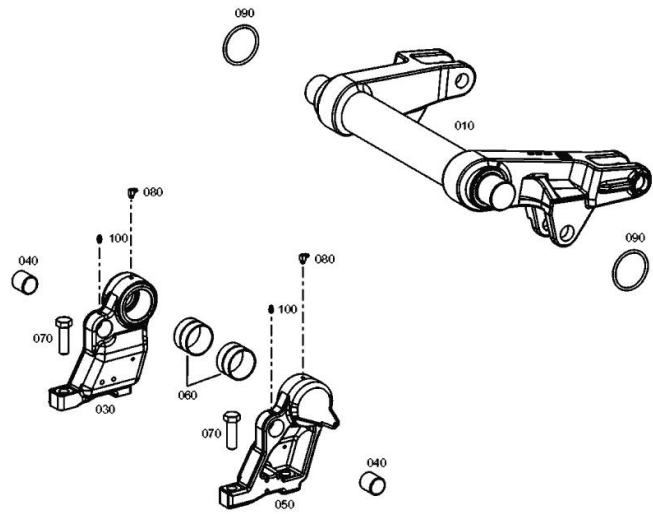
BRAKE CONTROLS 2093 011 015

Fig.	P/n	QTY	Name
20	0.900.1239.8	2	tube
30	0.900.1239.9	2	pin
40	0.900.2018.6	2	rod
50	0.900.2018.7	1	lever
60	0.900.2018.8	1	shaft
70	0.900.0281.9	2	nut m 12
80	0.900.2018.9	1	pin
90	0.900.0466.9	2	washer
100	0.900.0468.1	2	split pin 3.2x18
110	0.900.1240.3	1	spacer
130	0.010.2901.1	2	pin 6x50
140	0.900.2015.9	2	ring



LIFTING 2093 011 015

Fig.	P/n	QTY	Name
10	0.900.0883.4	1	shaft
30	0.900.1407.9	1	bearing block dx/rh/re
40	0.900.1431.3	2	bearing
50	0.900.1408.0	1	bearing block sx/lh/li
60	04417549	2	special bushing
70	0.900.0469.1	4	screw m 20x65
80	0.900.0498.6	2	grease gun
90	04417552	2	ring 78.5x6
100	0.010.2922.2	2	grease gun m 8 p.1 x 8



Buy Now



Our support email:

ebooklibonline@outlook.com