

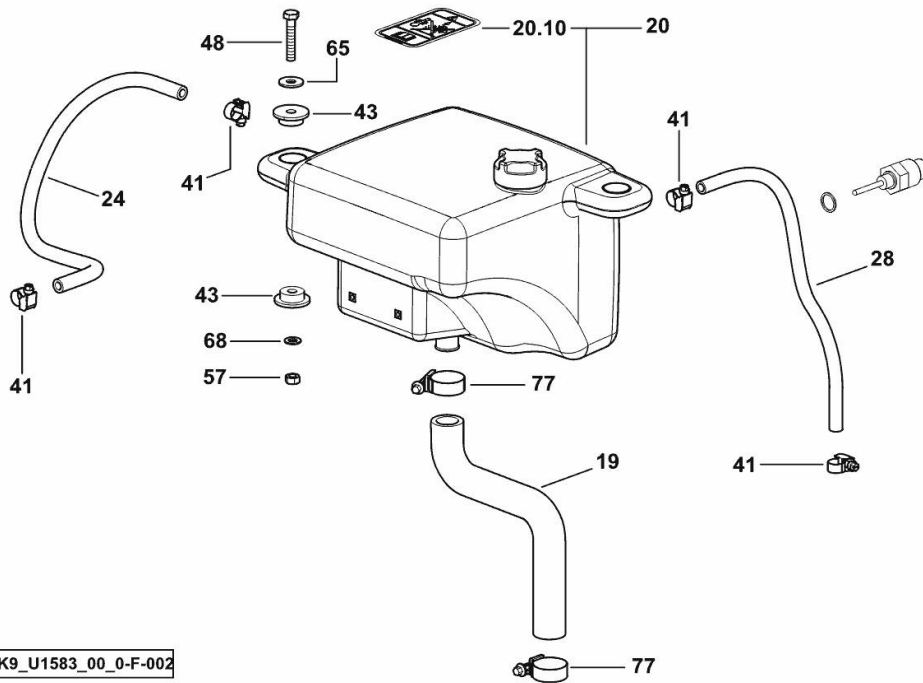
COOLING - EXPANSION TANK

Fig.	P/n	QTY	Name
------	-----	-----	------

Notes:

[SPARK 160 T4i ->WSXAS50200LL50010]

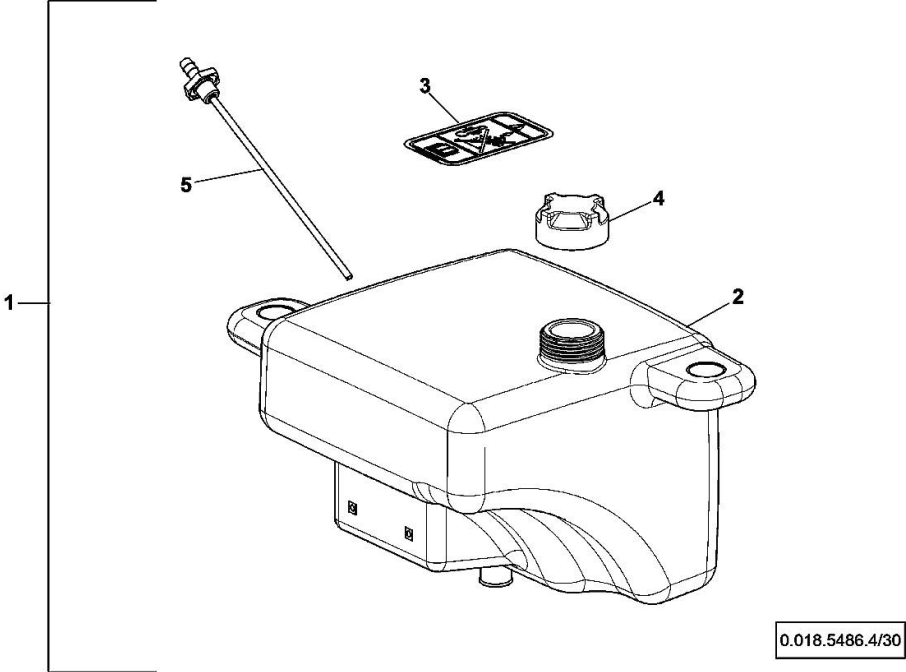
19	0.019.7070.0/10	1	tube
20	0.018.5486.4/30	1	small tank ☞ 0.018.5486.4/30
20.10	2.9939.280.0	1	plate
24	0.012.6457.0	1	tube
28	0.012.6457.0	1	tube
41	01173965	4	clamp 10-16/9 h3461
43	04432147	4	ring
48	2.0112.217.2	2	screw m 8 p.1.25 x 45
57	2.1011.105.2	10	nut m 8 p.1.25
65	2.1312.004.2	3	washer 8x24x2
68	2.1475.002.2	2	conical washer 8
77	2.6851.003.0	2	clamp Ø 25/40



K9_U1583_00_0-F-002

WATER TANK

Fig.	P/n	QTY	Name
1	0.018.5486.4/30	1	small tank
2	0.000.0000.1		cannot be supplied
3	2.9939.280.0	1	plate
4	0.010.3465.1	1	plug
5	0.020.1742.3/10	1	tube



INTERCOOLER

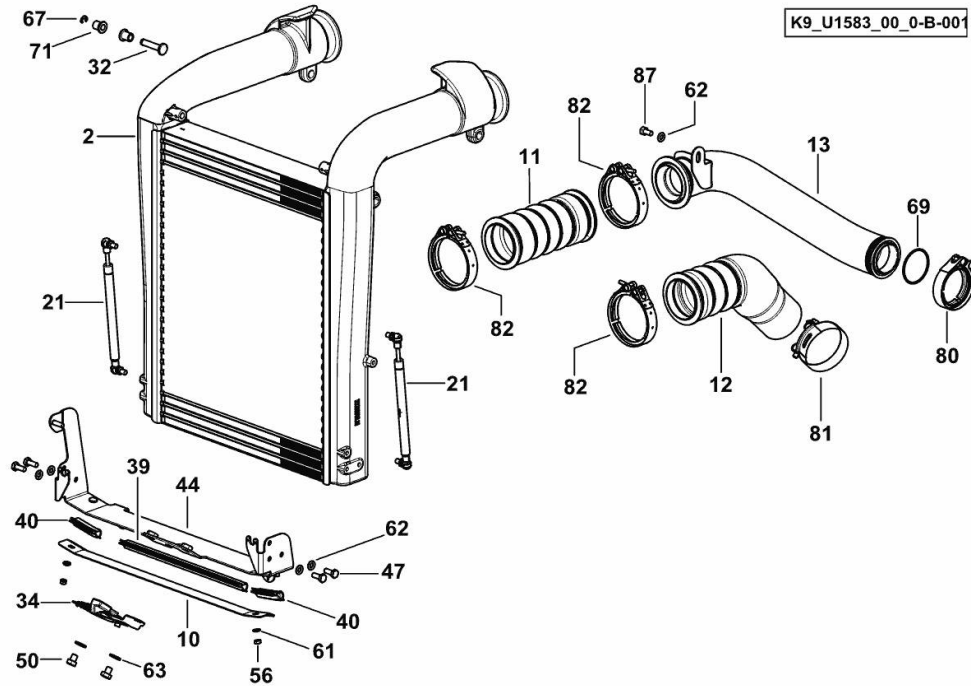


Fig.	P/n	QTY	Name
------	-----	-----	------

Notes:

[SPARK 160 T4i ->WSXAS50200LL50010]

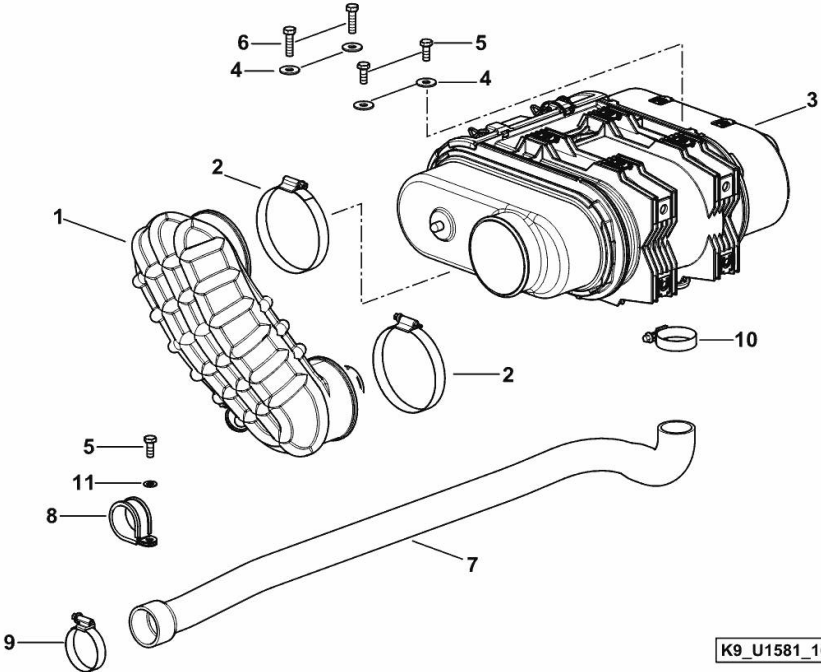
2	0.021.2353.4	1	intercooler
10	0.019.0632.0/10	1	bracket
11	0.019.0603.4	1	sleeve
12	0.019.0594.4	1	sleeve
13	0.019.0617.2/10	1	tube
21	0.018.8024.4	2	shock absorber
32	0.017.4798.0	2	pin
34	0.013.3609.4	1	lock
39	0.019.0633.0	1	gasket
40	0.019.0634.0	2	gasket
44	0.019.0098.3/20	1	support
47	2.0112.207.2	4	screw m 8 p 1.25 x 20
50	2.0112.303.2	2	screw m 10 p.1.5x12
56	2.1011.103.2	4	nut m 6 p.1
61	2.1310.002.2	7	flat washer 6.4x12.5
62	2.1310.004.2	13	flat washer 8.4x17
63	2.1310.006.2	6	flat washer 10.5x21
67	2.1430.009.2	2	ring 8
69	2.1532.143.0	1	oil seal
71	2.1559.147.0	4	bushing
80	2.6859.118.0	1	clamp Ø 77
81	2.6859.148.2	1	clamp Ø 79-85
82	2.6859.166.0	3	clamp Ø 97
87	2.0112.205.2	1	screw m 8 p.1.25 x 16

AIR CLEANER 9"

Fig.	P/n	QTY	Name
------	-----	-----	------

Notes:
 [SPARK 160 T4i ->WSXAS50200LL50010]

1	0.018.4515.4/10	1	sleeve
2	2.6859.150.0	2	clamp 95/118
3	2.4249.731.0/20	1	air filter (-> 50010) ☞ 2.4249.731.0/20
4	2.1312.004.2	4	washer 8x24x2
5	2.0112.207.2	4	screw m 8 p 1.25 x 20
6	2.0112.211.2	2	screw m 8 p.1.25 x 30
7	0.019.0627.0/10	1	tube
8	2.6839.069.0	2	clamp 40/20
9	2.6851.005.0	1	clamp Ø 40/60
10	2.6851.004.0	1	clamp Ø 32/50
11	2.1310.004.2	2	flat washer 8.4x17



K9_U1581_10_0-A-001

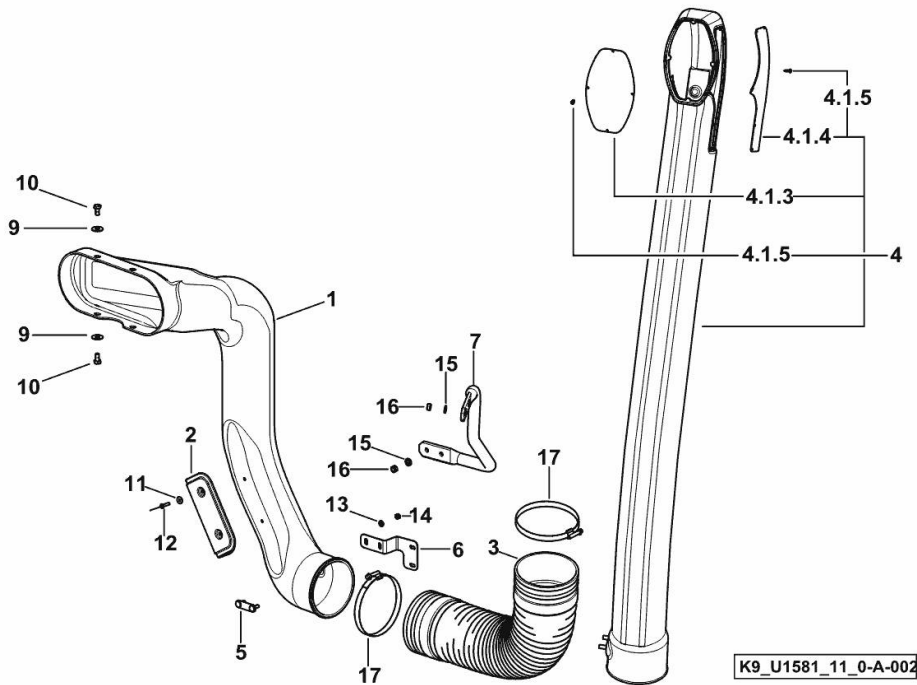
ENGINE AIR INTAKE PIPE

Fig.	P/n	QTY	Name
------	-----	-----	------

Notes:

[SPARK 160 T4i ->WSXAS50200LL50010]

1	0.018.1449.0/30	1	sleeve
2	0.018.1794.0	1	shield
3	0.015.7527.0	1	tube
4	04431291.4	1	tube
4.1.3	04434787	1	plate
4.1.4	04434788	1	plate
4.1.5	04423627	13	stop
5	0.017.8380.3	1	small plate
6	0.017.8369.0/20	1	bracket
7	04453928	1	support
9	2.1312.004.2	4	washer 8x24x2
10	2.0112.205.2	4	screw m 8 p.1.25 x 16
11	2.1312.002.2	2	washer 5
12	2.1851.005.0	2	rivet 4.8
13	2.1310.002.2	2	flat washer 6.4x12.5
14	2.1011.103.2	2	nut m 6 p.1
15	2.1310.004.2	4	flat washer 8.4x17
16	2.1011.105.2	4	nut m 8 p.1.25
17	2.6851.013.0	2	clamp 120-140

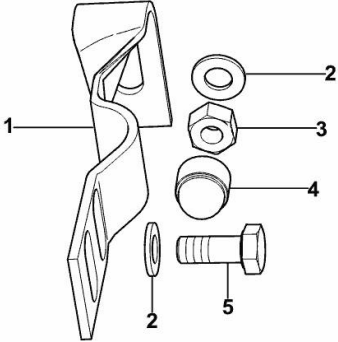


ENGINE AIR INTAKE PIPE BRACKET

Fig.	P/n	QTY	Name
------	-----	-----	------

Notes:
 [SPARK 160 T4i ->WSXAS50200LL50010]

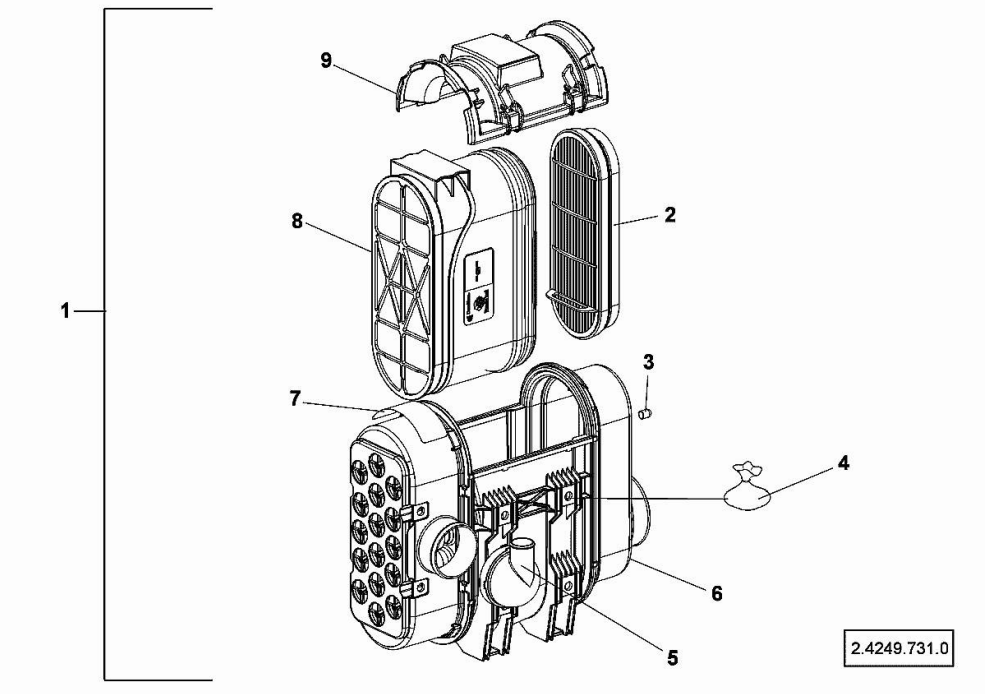
1	04413465	1	bracket
2	2.1310.004.2	2	flat washer 8.4x17
3	2.1011.105.2	1	nut m 8 p.1.25
4	01174042	1	cap
5	2.0114.207.2	1	screw m 8 p.1.25 x 20



K9_U1581_12_0-A-001

AIR FILTER 9"

Fig.	P/n	QTY	Name
1	2.4249.731.0	1	air filter
2	0.900.0272.1	1	internal air filter element
3	0.900.1456.7	1	cap
4	0.900.1982.0	1	accessories U-CLIP BAG
5	0.900.1633.6	1	exhaust valve
6	0.000.0000.1		cannot be supplied
7	0.900.1982.1	1	plate
8	0.900.1982.2	1	filter
9	0.900.1409.6	1	cover



Buy Now



Our support email:

ebooklibonline@outlook.com