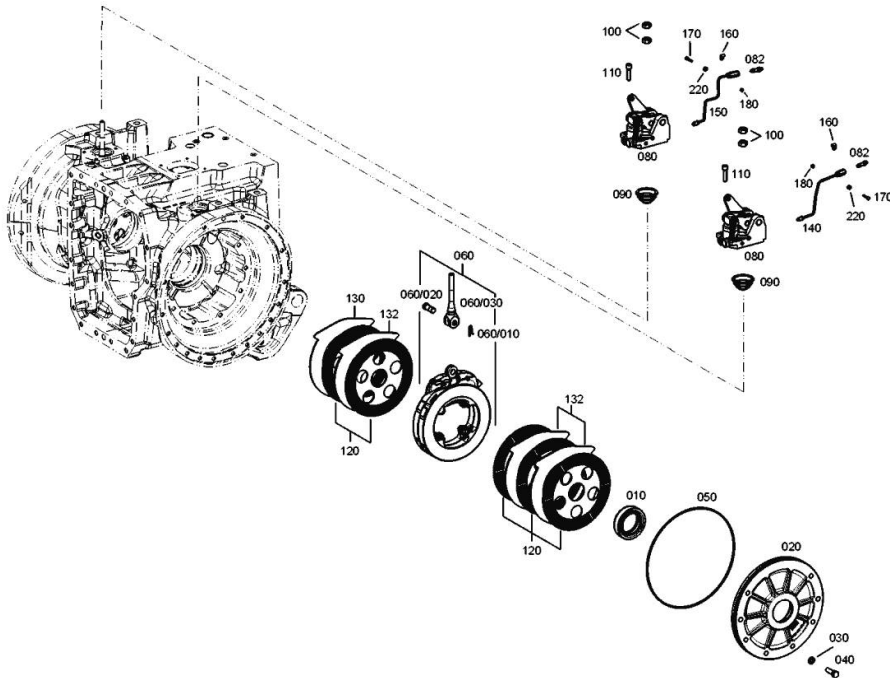


REAR BRAKES - 2093 011 015

Fig.	P/n	QTY	Name
10	04417316	2	oil seal
20	0.900.1239.5	2	cover
30	0.900.0277.9	4	washer
40	0.900.2018.4	16	screw
50	04428220	2	oil seal 305x4
60	0.900.1583.9	2	transmission brake
60.10	04435741	1	split pin
60.20	04435740	1	pin
60.30	04428551	1	rod
80	0.900.2018.5	2	operation
82	0.900.2124.5	2	breather
90	0.900.0800.9	2	rubber bushing
100	0.900.2019.0	4	nut
110	0.900.0469.7	6	screw m 10 x 40
120	0.900.1584.6	10	disc
130	0.900.0801.3	2	disc
132	0.900.0946.6	6	thin plate
140	04428545	1	tube sx/lh/li
150	04428546	1	pipng dx/rh/re
160	0.900.0468.2	2	clamp 6x12
170	0.900.0280.1	2	screw m 5 x 25
180	0.900.0470.2	2	nut m 5
220	0.900.0281.6	2	nut



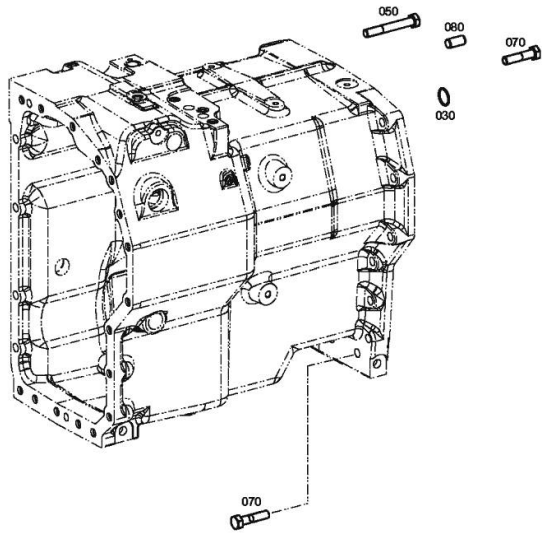
SPARK 190 T4i HiProfile-CShift ->WSXAU90200LL50010

Section: D0 - TRANSMISSION

Ref: 0.019.1526.4/10

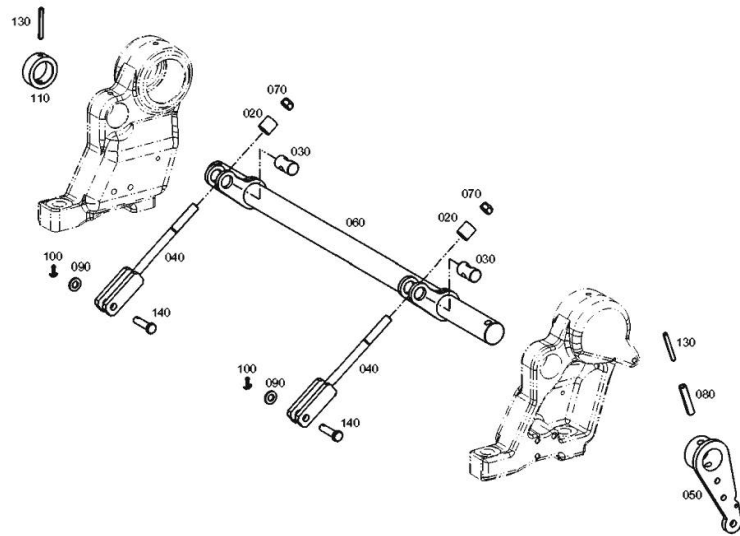
FASTENINGS - 2093 011 015

Fig.	P/n	QTY	Name
30	0.010.2863.1	1	circlip 30
50	0.010.2913.0	1	screw m 14x100
70	0.010.2887.1	19	screw m 14 x 60
80	04416090	2	cylindrical plug 16 m 6x30



BRAKE CONTROLS - 2093 011 015

Fig.	P/n	QTY	Name
20	0.900.1239.8	2	tube
30	0.900.1239.9	2	pin
40	0.900.2018.6	2	rod
50	0.900.2124.6	1	lever
60	0.900.2018.8	1	shaft
70	0.900.0281.9	2	nut m 12
80	0.900.2018.9	1	pin
90	0.900.0466.9	2	washer
100	0.900.2082.0	2	pin
110	0.900.1240.3	1	spacer
130	0.010.2901.1	2	pin 6x50
140	0.900.2015.9	2	ring



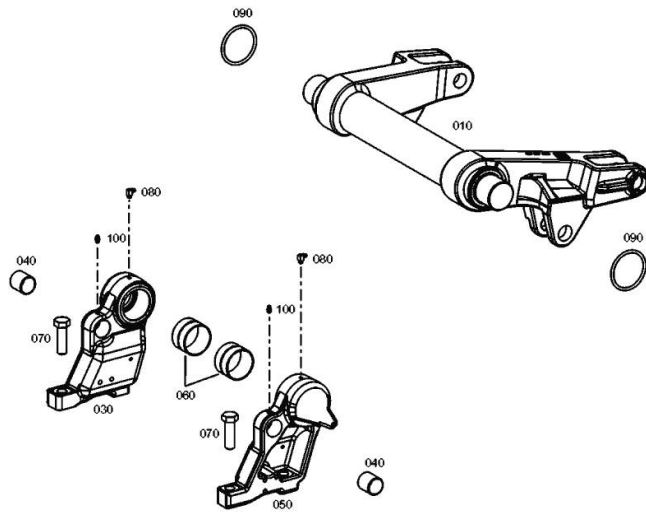
SPARK 190 T4i HiProfile-CShift ->WSXAU90200LL50010

Section: D0 - TRANSMISSION

Ref: 0.019.1526.4/10

LIFTING - 2093 011 015

Fig.	P/n	QTY	Name
10	0.900.0883.4	1	shaft
30	0.900.1407.9	1	bearing block dx/rh/re
40	0.900.1431.3	2	bearing
50	0.900.1408.0	1	bearing block sx/lh/li
60	04417549	2	special bushing
70	0.900.0469.1	4	screw m 20x65
80	0.900.0498.6	2	grease gun
90	04417552	2	ring 78.5x6
100	0.010.2922.2	2	grease gun m 8 p.1 x 8



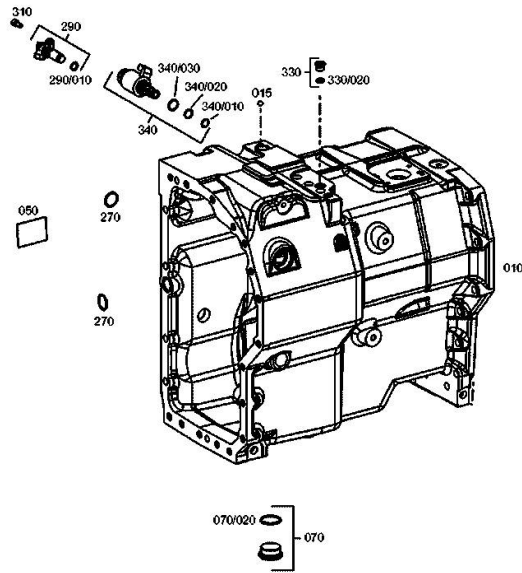
SPARK 190 T4i HiProfile-CShift ->WSXAU90200LL50010

Section: D0 - TRANSMISSION

Ref: 0.020.7181.4

GEARBOX - 2093 012 019

Fig.	P/n	QTY	Name
10	0.900.2217.0	1	gear box
15	04309268	1	ball
50	04415260	1	plate
70	04435197	1	plug
70.20	02315144	1	oil seal 38x2.5
270	0.010.3257.2	2	gasket 28x2.5
290	04438450	1	speed sensor L = 53,0mm
290.10	04417747	1	oil seal 15.54x2.62
310	04434551	1	screw m 8 p.1.25 x 20
330	04435199	1	screw
330.20	02315162	1	oil seal 13x2
340	0.900.2094.5	1	solenoid valve



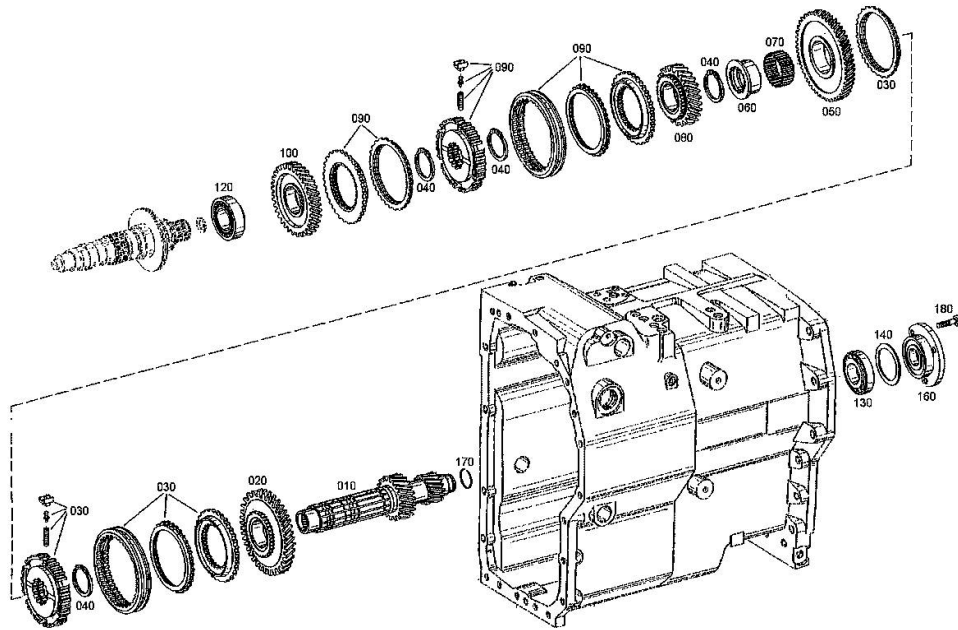
SPARK 190 T4i HiProfile-CShift ->WSXAU90200LL50010

Section: D0 - TRANSMISSION

Ref: 0.020.7181.4

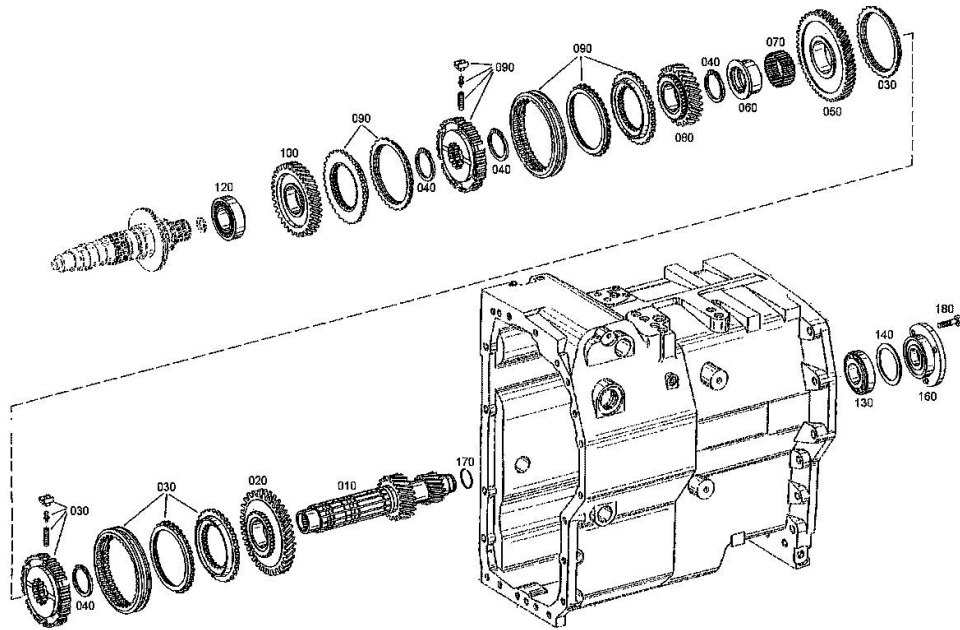
LAYSHAFT - 2093 012 019

Fig.	P/n	QTY	Name
10	0.900.0125.7	1	shaft
20	0.900.1380.7	1	gear Z = 47
30	0.900.0881.6	1	lock synchronizer
40	04415687	4	circlip
50	0.900.1380.8	1	gear Z = 58
60	04417177	1	bush L = 32.3
60	04417178	1	bush L = 32.4
60	04417179	1	bush L = 32.5
60	04417180	1	bush L = 32.6
60	04417181	1	bush L = 32.7
60	04417182	1	bush L = 32.8
70	0.010.2849.1	1	roller cage
80	0.900.1380.6	1	gear
90	0.900.0881.7	1	lock synchronizer
100	0.900.0071.0	1	gear
120	0.010.3759.0	1	roller bearing
130	04415697	1	roller bearing
140	02965988	1	shim mm 2.40
140	04334537	1	shim mm 2.60
140	04334538	1	shim mm 2.55
140	04334539	1	shim mm 2.50
140	04334540	1	shim mm 2.45
140	04334541	1	shim mm 2.35
140	04334542	1	shim mm 2.30
140	04334543	1	shim mm 2.25
140	04334544	1	shim mm 2.20
140	04334545	1	shim mm 2.15
140	04334546	1	shim mm 2.10
140	04334547	1	shim mm 2.05
140	04334548	1	shim mm 2.00
140	04334549	1	shim mm 1.95
140	04334550	1	shim mm 1.90
140	04334551	1	shim mm 1.85
140	04334552	1	shim mm 1.80
140	04334553	1	shim mm 1.75
140	04334554	1	shim mm 1.70
140	04433184	1	shim mm 1.65
140	04433185	1	shim mm 1.60
140	04436332	1	shim mm 1.725
140	04436333	1	shim mm 1.775
140	04436334	1	shim mm 1.875
140	04436335	1	shim mm 1.925
140	04436336	1	shim mm 1.975
160	04415760	1	cover



LAYSHAFT - 2093 012 019

Fig.	P/n	QTY	Name
170	04415761	1	ring 35x2
180	0.010.2616.1	3	screw m 10x32



Buy Now



Our support email:

ebooklibonline@outlook.com