

OPERATOR'S MANUAL

DISC MOWER

DM1130



DEAR OWNER

In buying a Frontier machine you have chosen wisely. Into it have gone years of thought, research and improvements. You will find, as have thousands of owners all over the world, that you have the best that engineering skill and actual field testing can produce. You have purchased a dependable machine, but only by proper care and operation can you expect to receive the performance and long service built into it.

This manual contains all the necessary information for you to receive full efficiency from your machine. The performance you get from this machine is largely dependent on how well you read and understand this manual and apply this knowledge. Please **DO NOT ASSUME YOU KNOW HOW TO OPERATE AND MAINTAIN YOUR MACHINE** before reading this manual carefully. **KEEP THIS MANUAL AVAILABLE FOR REFERENCE.** Pass it on to the next owner if you re-sell the machine.

Your John Deere dealer can offer a complete line of original manufacturer service parts. These parts are manufactured and carefully inspected in the same factory that builds the machine to assure high quality and accurate fitting of any necessary replacements.

■ About improvements

We are continually striving to improve its products. It therefore reserves the right to make improvements or changes when it becomes practical to do so, without incurring any obligations to make changes or additions to the equipment sold previously.

■ Designated use of the machine

The **DM1130** disc mower must only be used for the purpose for which it was manufactured: mowing on the ground of hay fields, grass silage fields and improved pastures for the purpose of harvesting fodder for feeding livestock.

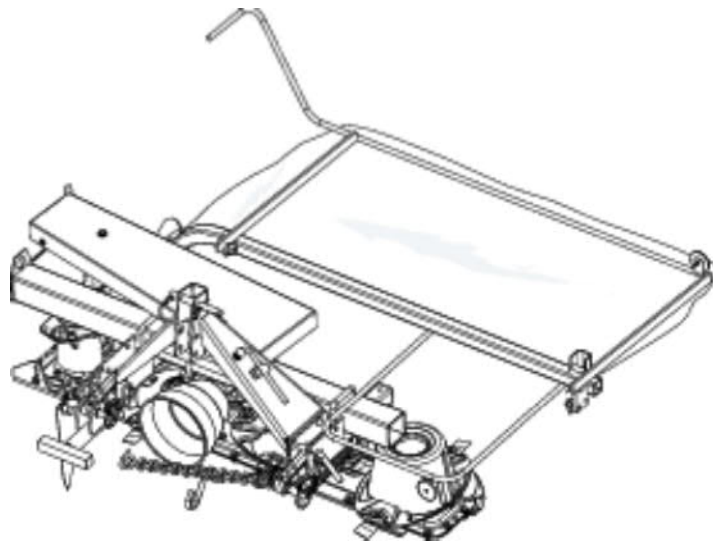
CONTENTS

■ Dear Owner	1
■ Contents	2
■ Identification of the machine	4
Front view	4
Rear view	4
Model identification plate	5
Optional equipments	5
■ Safety	6
Description of symbols used in this document	6
Safety instructions	7
Location and description of safety decals on the machine	15
■ Machine specifications	19
Description and glossary	19
Technical specifications	20
Sound levels	20
■ Putting into service	21
Description of control elements	21
Coupling and uncoupling	21
■ Instructions for transport	30
Putting the machine into transport position	30
Conformity with the road regulations	33

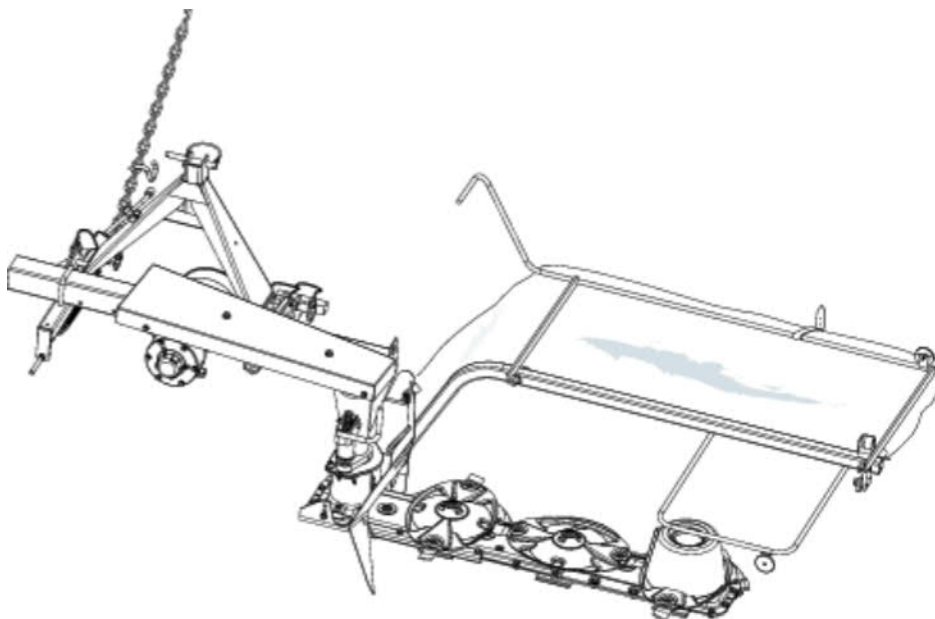
■ Instructions for work	34
Putting the machine into work position	34
Adjustments in working position	37
Machine use	39
■ Optional equipments	40
Hitch frame offset	40
Swath shield.....	40
■ Maintenance and storage	42
Frequency chart.....	42
Lubrication	43
Maintenance	46
Storage	53
■ Trouble shooting guide	54

IDENTIFICATION OF THE MACHINE

1. Front view

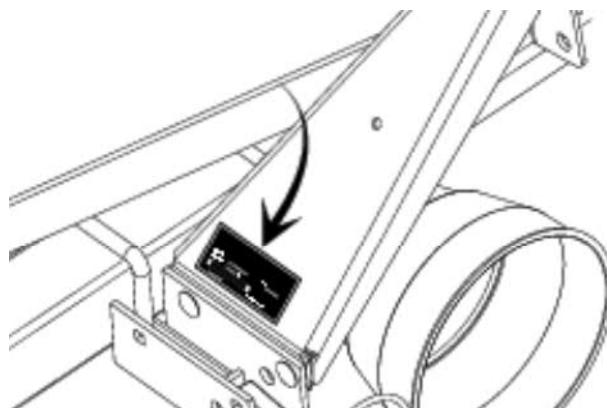


2. Rear view



3. Model identification plate

Please write below the type and serial number of the machine. This information is to be indicated to the dealer for all spare parts orders.



Type: **DM1130**

No:



4. Optional equipments

Tick box corresponding to the equipment fitted on your machine:

- Kit no. **KN1007030**: Hitch frame offset.
- Kit no. **KN1007010**: Swath shield.

SAFETY

1. Description of symbols used in this document

This symbol indicates a potentially hazardous situation that if not avoided, could result in serious bodily injury.



This symbol is used to identify special instructions or procedures which, if not followed strictly, could result in machinery damage.



This symbol is used to communicate technical information of particular interest.



Buy Now



Our support email:

ebooklibonline@outlook.com