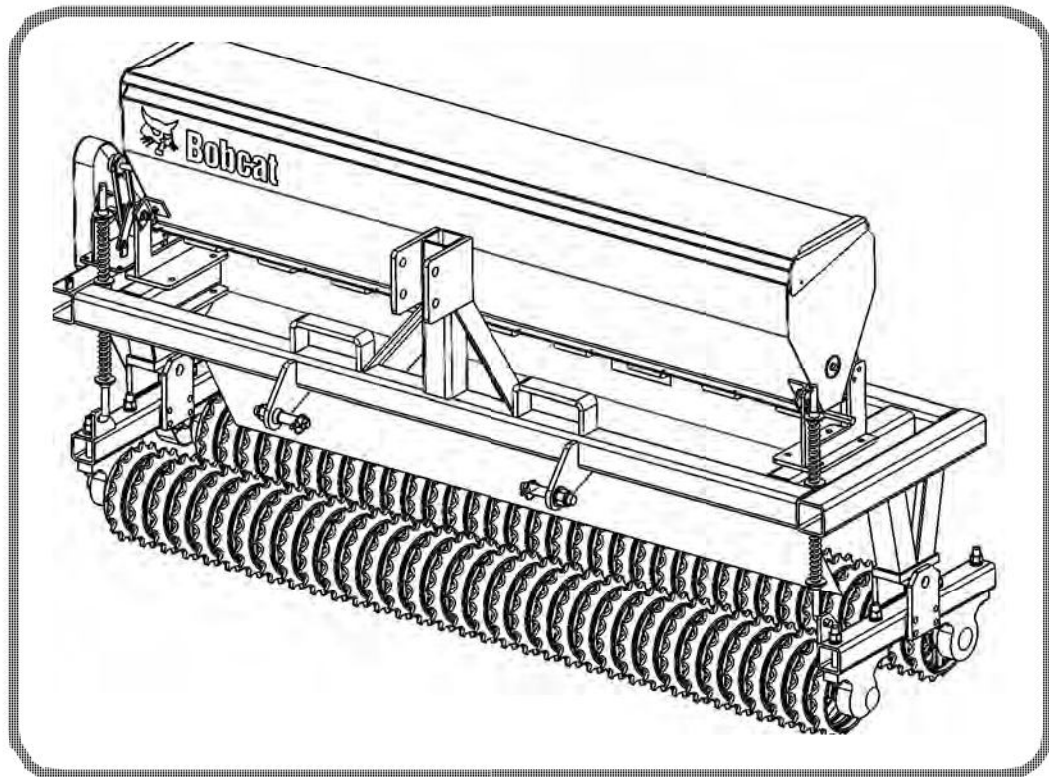




Bobcat®

Service Manual Seeder

(Seeder 72SDR) - S/N AEUD00101 & Above



Dealer Copy -- Not for Resale



MAINTENANCE SAFETY



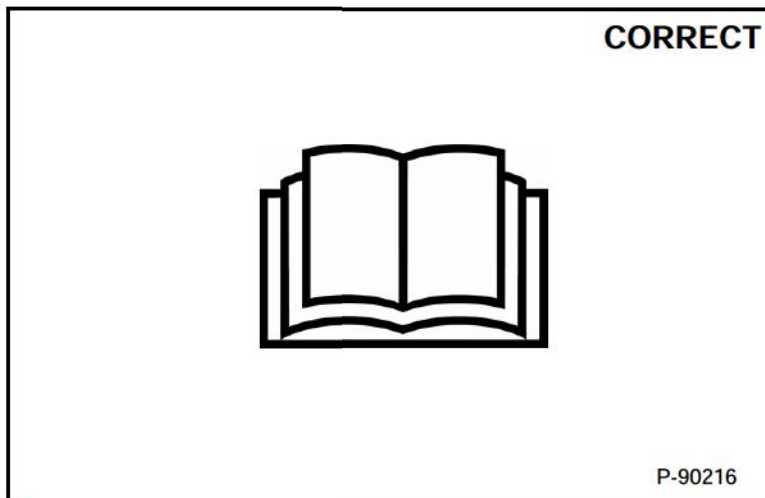
WARNING









Instructions are necessary before operating or servicing machine. Read and understand the Operation & Maintenance Manual, Operator's Handbook and signs (decals) on machine. Follow warnings and instructions in the manuals when making repairs, adjustments or servicing. Check for correct function after adjustments, repairs or service. Untrained operators and failure to follow instructions can cause injury or death.

W-2003-0807



Safety Alert Symbol: This symbol with a warning statement, means: "Warning, be alert! Your safety is involved!" Carefully read the message that follows.



-  Never service attachments / implements without instructions. See Operation & Maintenance Manual and Attachment / Implement Service Manual.
-  Cleaning and maintenance are required daily.
-  Never service or adjust attachment / implement with the engine running unless instructed to do so in manual.
-  Always lower the attachment / implement to the ground before lubricating or servicing.
-  Avoid contact with leaking hydraulic fluid or diesel fuel under pressure. It can penetrate skin or eyes.
-  Stop, cool and clean engine of flammable materials before checking fluids.
-  Keep body, loose objects and clothing away from moving parts, electrical contacts, hot parts and exhaust.
-  Safety glasses are needed for eye protection from electrical arcs, battery acid, compressed springs, fluids under pressure and flying debris or when tools are used. Use eye protection approved for type of welding.

Dealer Copy -- Not for Resale

MSW30-0409

CONTENTS

SAFETY AND MAINTENANCE	10-01
MAINFRAME	20-01
SPECIFICATIONS	SPEC-01
ALPHABETICAL INDEX	INDEX-01

Dealer Copy -- Not for Resale

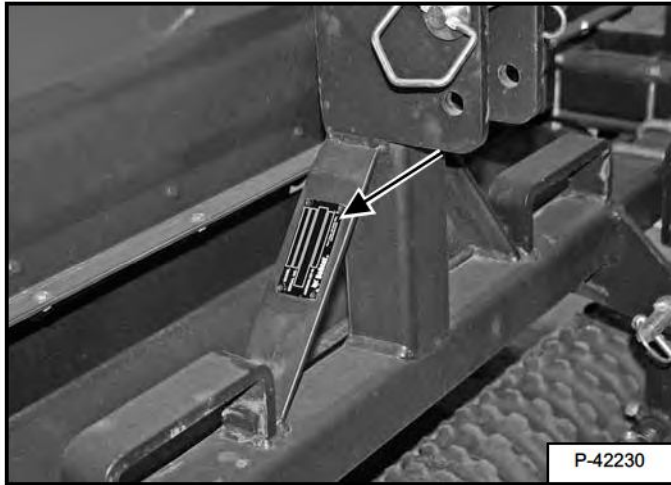
FOREWORD

SERIAL NUMBER LOCATION	1-7
Attachment / Implement Serial Number	1-7
DELIVERY REPORT	1-7
ATTACHMENT / IMPLEMENT IDENTIFICATION	1-8

SERIAL NUMBER LOCATION

Attachment / Implement Serial Number

Figure 1



Always use the serial number of the Bobcat seeder when requesting service information or when ordering parts. Early or later models (identification made by serial number) may use different parts, or it may be necessary to use a different procedure in doing a specific service operation [Figure 1].

DELIVERY REPORT

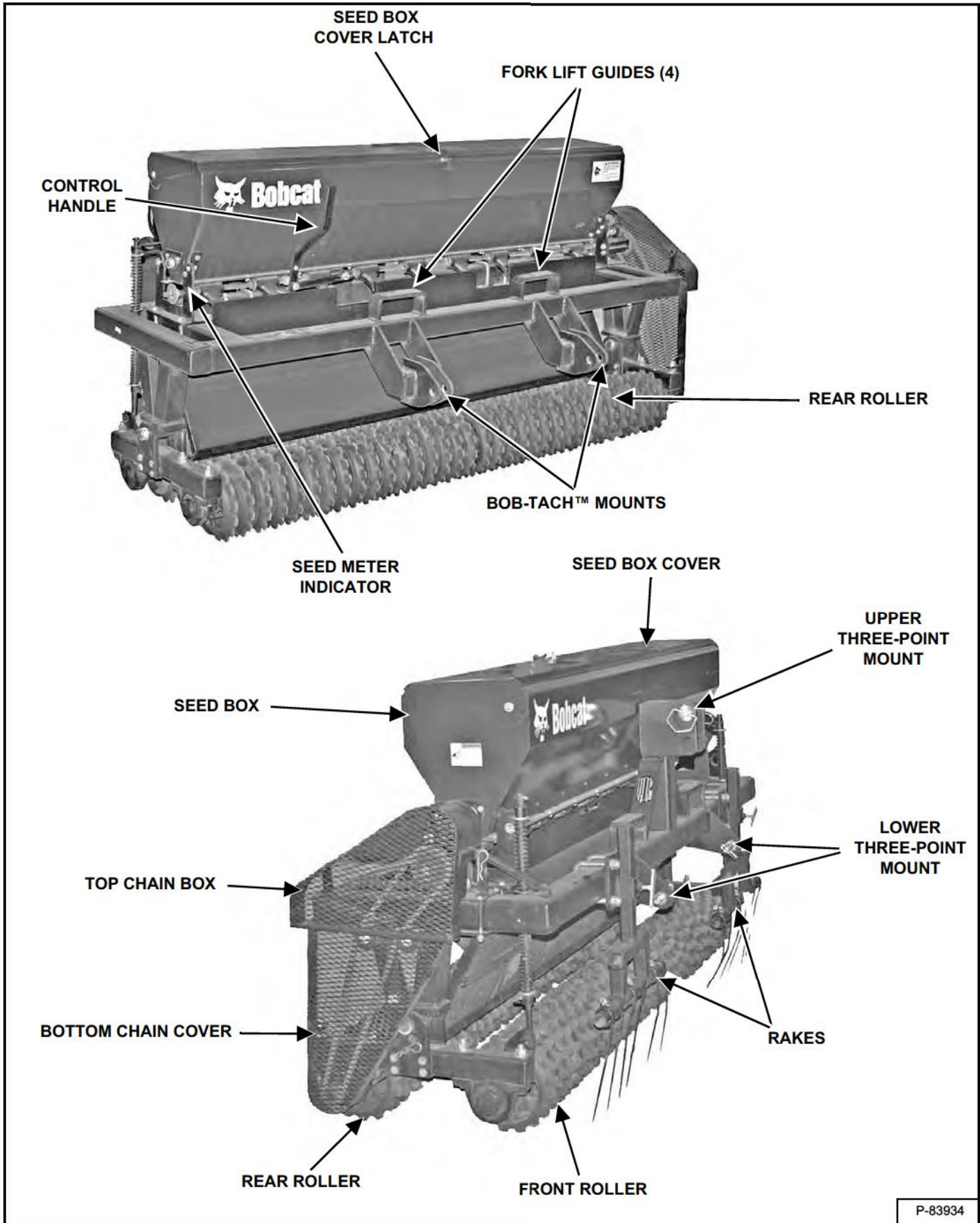
Figure 2

A scanned image of a Bobcat Delivery Report form for Attachments. The form includes fields for Dealer Name, Dealer Address, and Dealer Phone. It also features a 'WARNING' section with safety instructions and a signature line for the Dealer/Operator. The form is titled 'Bobcat Delivery Report Attachments' and includes a 'WARNING' section with safety instructions. The form is numbered NA7494 in the bottom right corner.

The delivery report [Figure 2] must be completed by the dealer and signed by the owner or operator when the Bobcat seeder is delivered. An explanation of the form must be given to the owner.

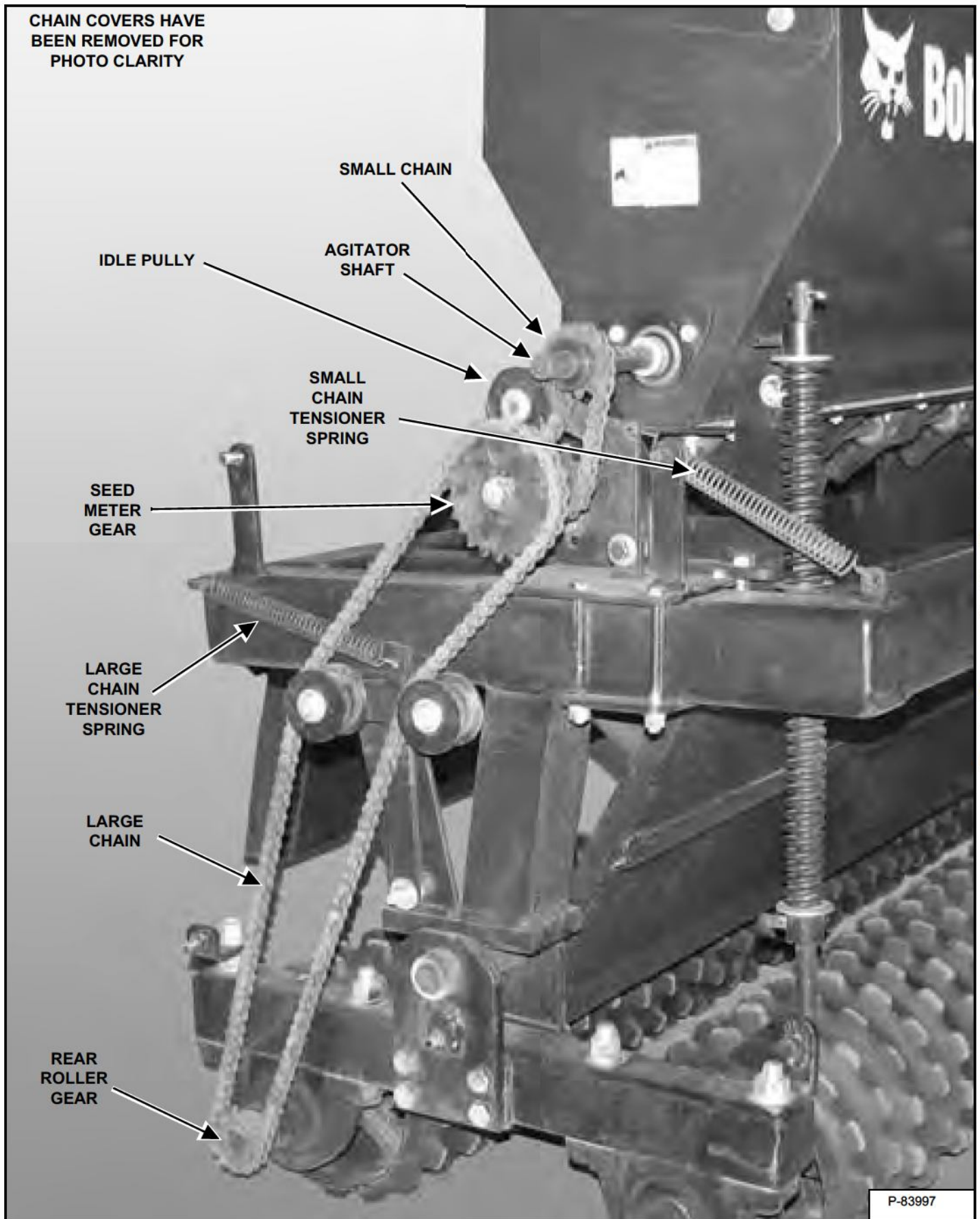
Dealer Copy -- Not for Resale

ATTACHMENT / IMPLEMENT IDENTIFICATION



Dealer Copy -- Not for Resale

ATTACHMENT / IMPLEMENT IDENTIFICATION (CONT'D)




Dealer Copy -- Not for Resale

SAFETY AND MAINTENANCE

TROUBLESHOOTING	10-10-1
Chart	10-10-1
DAILY INSPECTION	10-20-1
Seeder Mounting Frame	10-20-1
Bob-Tach	10-20-2
Three-Point Hitch	10-20-4
LUBRICATING THE SEEDER	10-30-1
Lubrication Locations	10-30-1
RAKE	10-40-1
Removal And Installation	10-40-1
RAKE TINES	10-50-1
Removal And Installation	10-50-1

TROUBLESHOOTING

Chart

 WARNING	<p>Instructions are necessary before operating or servicing machine. Read and understand the Operation & Maintenance Manual, Operator's Handbook and signs (decals) on machine. Follow warnings and instructions in the manuals when making repairs, adjustments or servicing. Check for correct function after adjustments, repairs or service. Untrained operators and failure to follow instructions can cause injury or death.</p> <p style="text-align: right;">W-2003-0807</p>
--	--

Use the following troubleshooting chart to locate and correct problems which most often occur with the attachment / implement.

PROBLEM	CAUSE	CORRECTION
Planting rate is too heavy or not heavy enough.	Seeder not calibrated to this seed type.	Calibrate seeder.
	48 tooth sprocket option installed. (Slows seeding rate)	Install 24 tooth sprocket.
No seed dropping from seeder.	Hopper is empty.	Fill hopper with seed.
	Ground engaging cultipacker wheel not turning.	Seeder not contacting the ground.
	Metering units are plugged.	Empty hopper and unplug metering units.
	Seed box agitator or metering units not turning.	Check that chain drive is functioning correctly.
Seeder will not reach edge of work area.	Machine is too wide.	Side shift seeder.

Dealer Copy -- Not for Resale

Buy Now



Our support email:

ebooklibonline@outlook.com