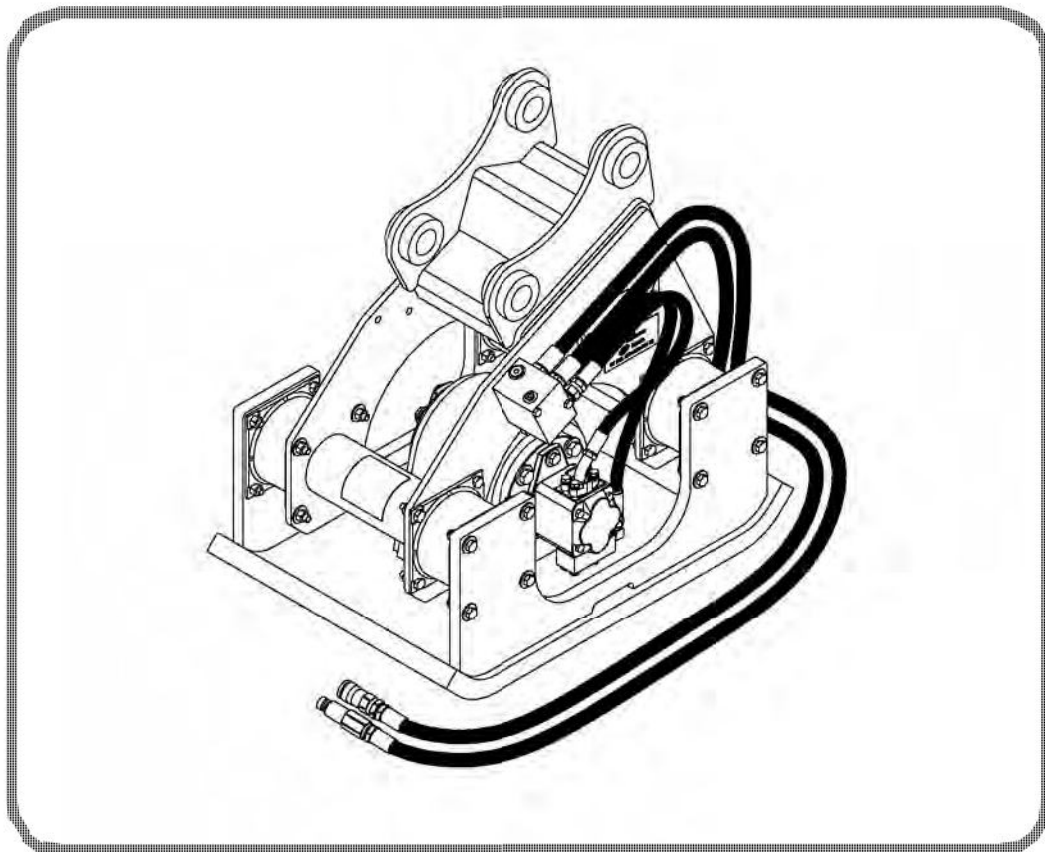




Bobcat®

Service Manual Plate Compactor

(PC 30) S/N 769500101 & Above
(PC 60) S/N 608500101 & Above
(PC 62) S/N 608600101 & Above



Dealer Copy -- Not for Resale



MAINTENANCE SAFETY



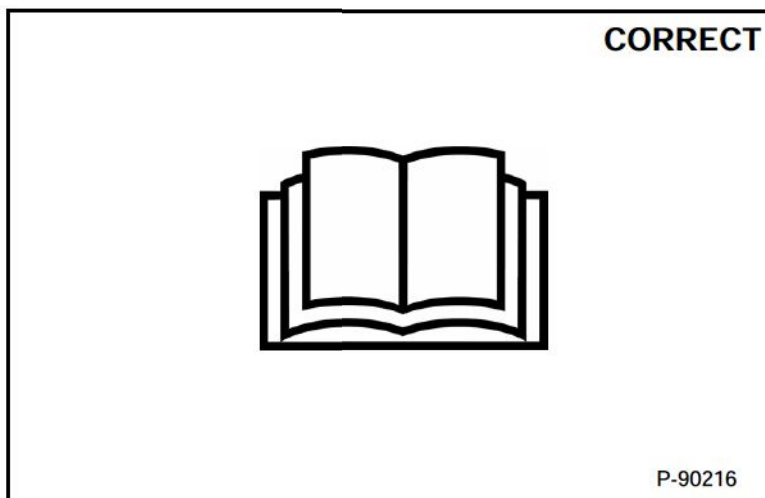
WARNING









Instructions are necessary before operating or servicing machine. Read and understand the Operation & Maintenance Manual, Operator's Handbook and signs (decals) on machine. Follow warnings and instructions in the manuals when making repairs, adjustments or servicing. Check for correct function after adjustments, repairs or service. Untrained operators and failure to follow instructions can cause injury or death.

W-2003-0807



Safety Alert Symbol: This symbol with a warning statement, means: "Warning, be alert! Your safety is involved!" Carefully read the message that follows.



-  Never service attachments / implements without instructions. See Operation & Maintenance Manual and Attachment / Implement Service Manual.
-  Cleaning and maintenance are required daily.
-  Never service or adjust attachment / implement with the engine running unless instructed to do so in manual.
-  Always lower the attachment / implement to the ground before lubricating or servicing.
-  Avoid contact with leaking hydraulic fluid or diesel fuel under pressure. It can penetrate skin or eyes.
-  Stop, cool and clean engine of flammable materials before checking fluids.
-  Keep body, loose objects and clothing away from moving parts, electrical contacts, hot parts and exhaust.
-  Safety glasses are needed for eye protection from electrical arcs, battery acid, compressed springs, fluids under pressure and flying debris or when tools are used. Use eye protection approved for type of welding.

Dealer Copy -- Not for Resale

MSW30-0409

CONTENTS

SAFETY AND MAINTENANCE	10-01
HYDRAULIC SYSTEM	20-01
MAINFRAME	30-01
SPECIFICATIONS	SPEC-01
ALPHABETICAL INDEX	INDEX-01

Dealer Copy -- Not for Resale

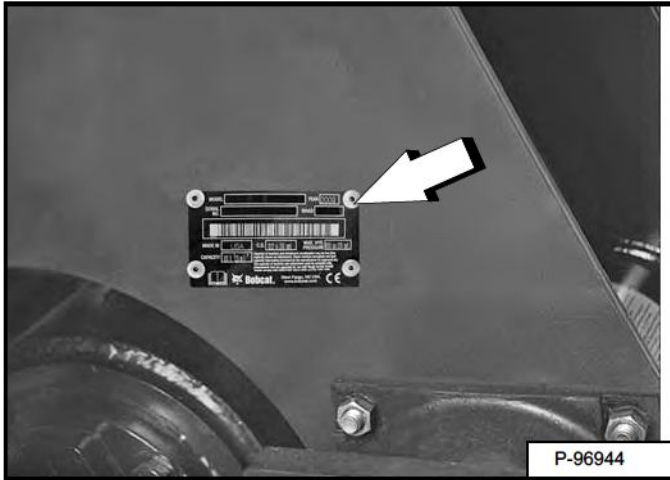
FOREWORD

SERIAL NUMBER LOCATION	1-7
Attachment Serial Number	1-7
DELIVERY REPORT	1-7
ATTACHMENT IDENTIFICATION	1-8

SERIAL NUMBER LOCATION

Attachment Serial Number

Figure 1



Always use the serial number of the Bobcat plate compactor when requesting service information or when ordering parts. Early or later models (identification made by serial number) may use different parts, or it may be necessary to use a different procedure in doing a specific service operation [Figure 1].

DELIVERY REPORT

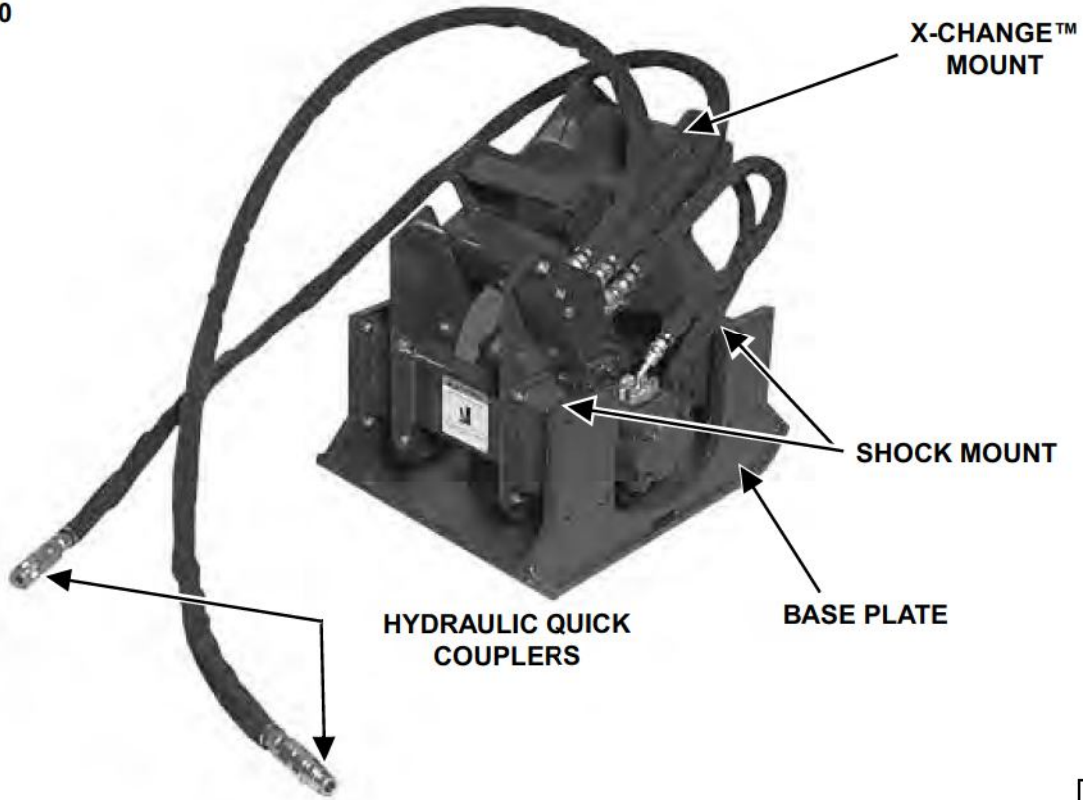
Figure 2

The delivery report [Figure 2] must be completed by the dealer and signed by the owner or operator when the Bobcat plate compactor is delivered. An explanation of the form must be given to the owner.

Dealer Copy -- Not for Resale

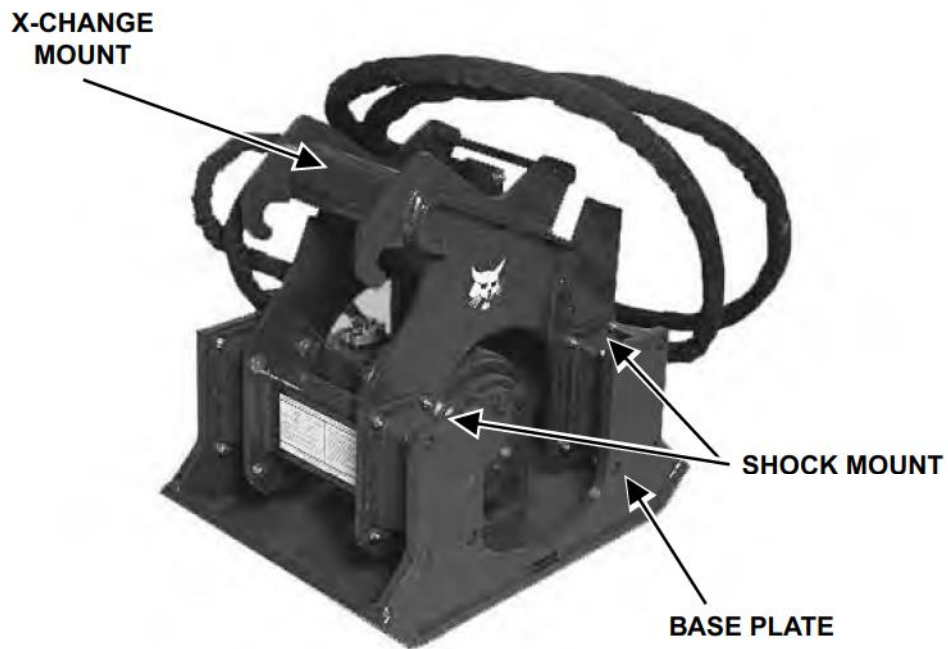
ATTACHMENT IDENTIFICATION

Model PC30



P-94600

Model PC30

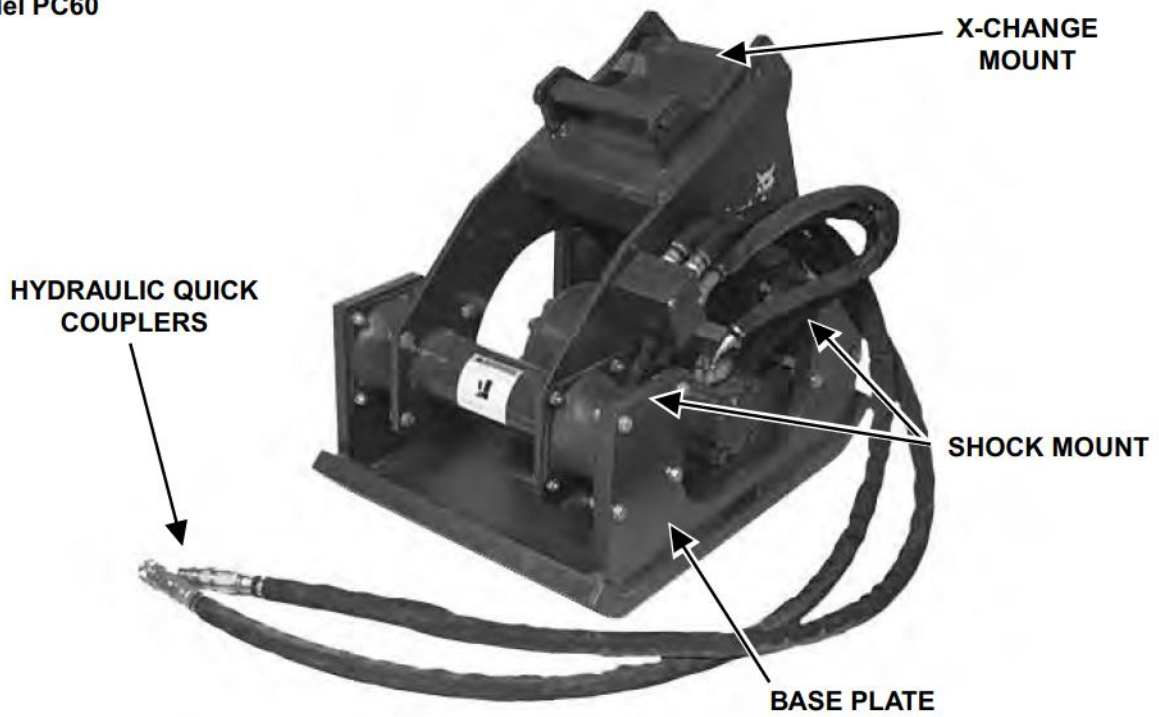


P-94601

Dealer Copy -- Not for Resale

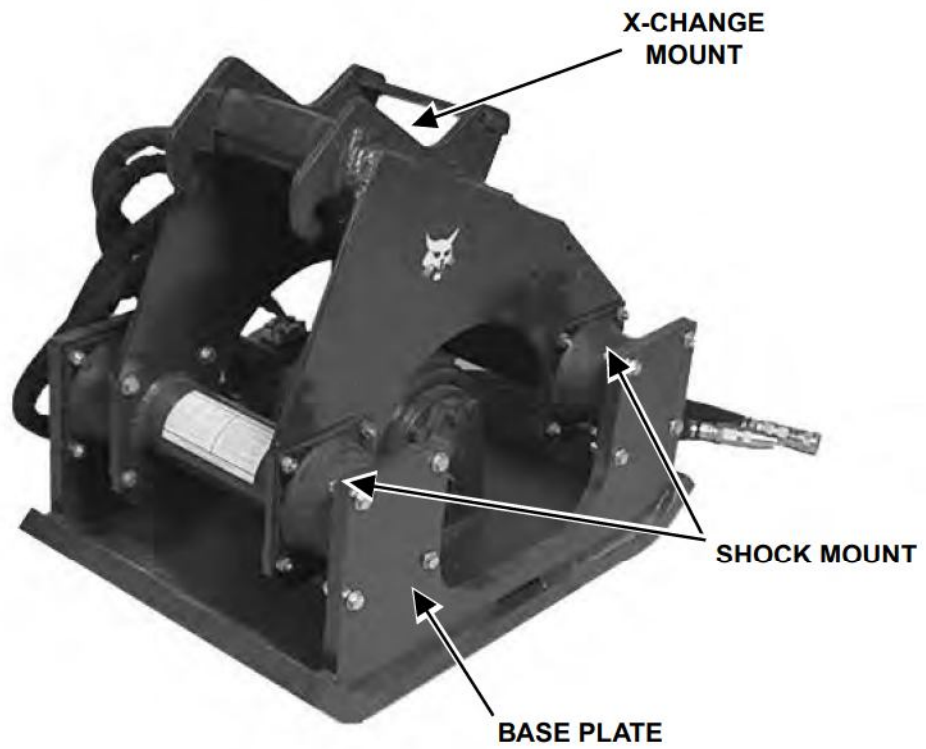
ATTACHMENT IDENTIFICATION (CONT'D)

Model PC60



P-94621

Model PC60

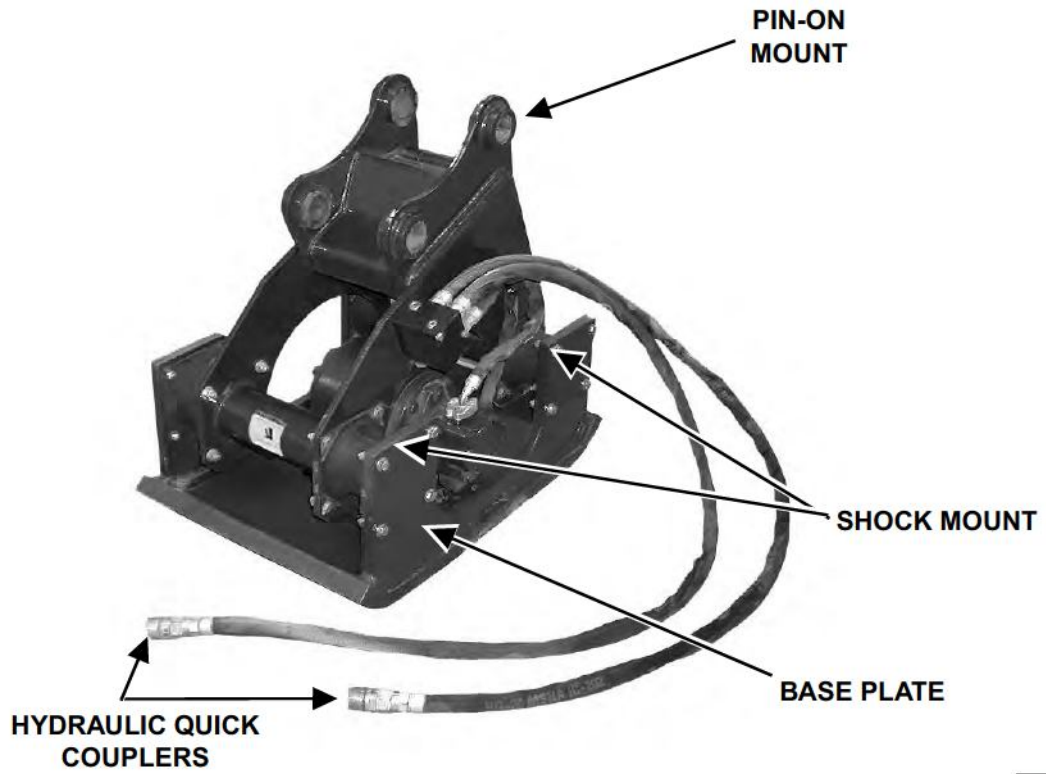


P-94622

Dealer Copy -- Not for Resale

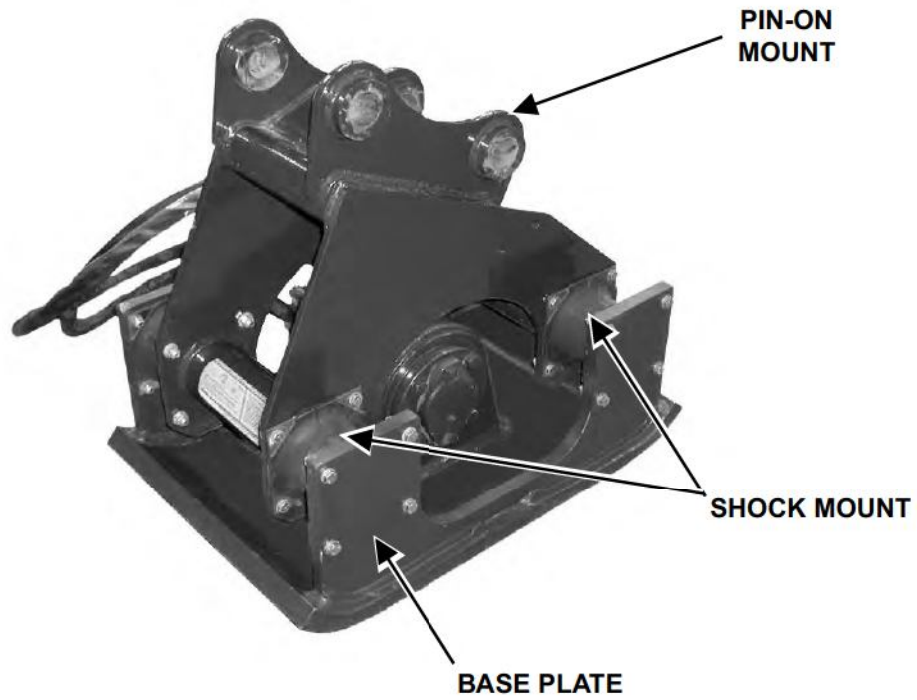
ATTACHMENT IDENTIFICATION (CONT'D)

Model PC62



P105201

Model PC62



P-94624

Dealer Copy -- Not for Resale

SAFETY AND MAINTENANCE

TROUBLESHOOTING	10-10-1
Chart	10-10-1
SERVICE SCHEDULE	10-20-1
Chart	10-20-1
DAILY INSPECTION	10-30-1
Attachment Mounting Frame	10-30-1
X-Change	10-30-1
Shock Mounts	10-30-2
LUBRICATION	10-40-1

Buy Now



Our support email:

ebooklibonline@outlook.com