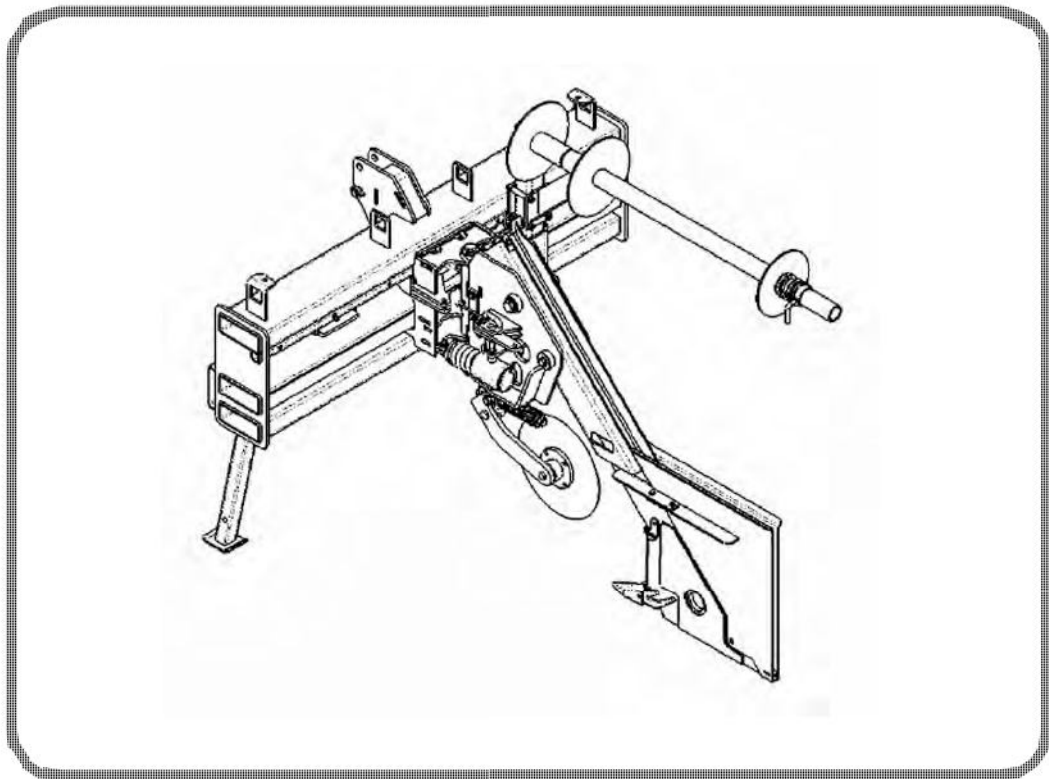




Bobcat®

Service Manual Silt Fence Installer

(Silt Fence Installer) S/N A74W00101 & Above



Dealer Copy -- Not for Resale



MAINTENANCE SAFETY



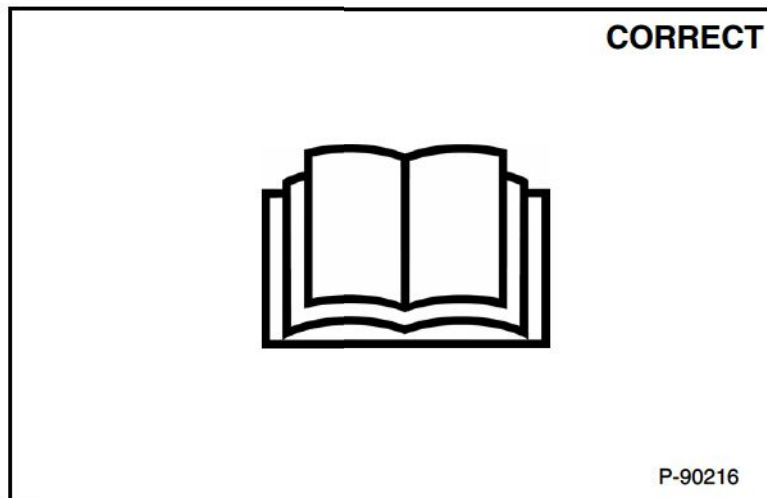
WARNING









Instructions are necessary before operating or servicing machine. Read and understand the Operation & Maintenance Manual, Operator's Handbook and signs (decals) on machine. Follow warnings and instructions in the manuals when making repairs, adjustments or servicing. Check for correct function after adjustments, repairs or service. Untrained operators and failure to follow instructions can cause injury or death.

W-2003-0807



Safety Alert Symbol: This symbol with a warning statement, means: "Warning, be alert! Your safety is involved!" Carefully read the message that follows.



-  Never service attachments / implements without instructions. See Operation & Maintenance Manual and Attachment / Implement Service Manual.
-  Cleaning and maintenance are required daily.
-  Never service or adjust attachment / implement with the engine running unless instructed to do so in manual.
-  Always lower the attachment / implement to the ground before lubricating or servicing.
-  Avoid contact with leaking hydraulic fluid or diesel fuel under pressure. It can penetrate skin or eyes.
-  Stop, cool and clean engine of flammable materials before checking fluids.
-  Keep body, loose objects and clothing away from moving parts, electrical contacts, hot parts and exhaust.
-  Safety glasses are needed for eye protection from electrical arcs, battery acid, compressed springs, fluids under pressure and flying debris or when tools are used. Use eye protection approved for type of welding.

Dealer Copy -- Not for Resale

MSW30-0409

CONTENTS

SAFETY AND MAINTENANCE	10-01
MAINFRAME	20-01
SPECIFICATIONS	SPEC-01
ALPHABETICAL INDEX	INDEX-01

Dealer Copy -- Not for Resale

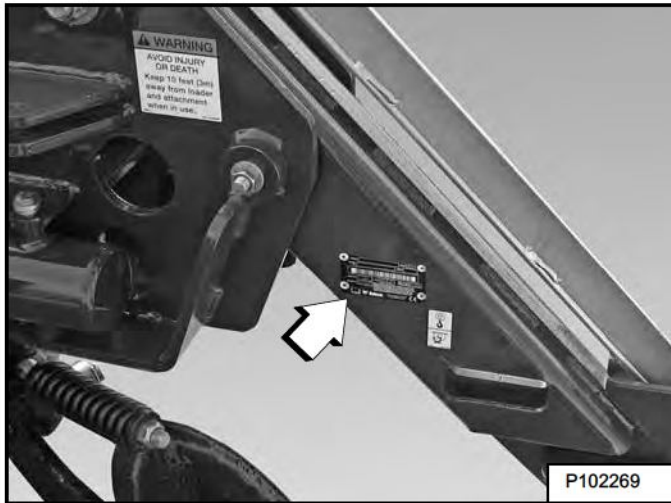
FOREWORD

SERIAL NUMBER LOCATION	1-7
Attachment / Implement Serial Number	1-7
DELIVERY REPORT	1-7
ATTACHMENT / IMPLEMENT IDENTIFICATION	1-8
FEATURES AND ACCESSORIES	1-9
Standard Items	1-9
Options And Accessories	1-9

SERIAL NUMBER LOCATION

Attachment / Implement Serial Number

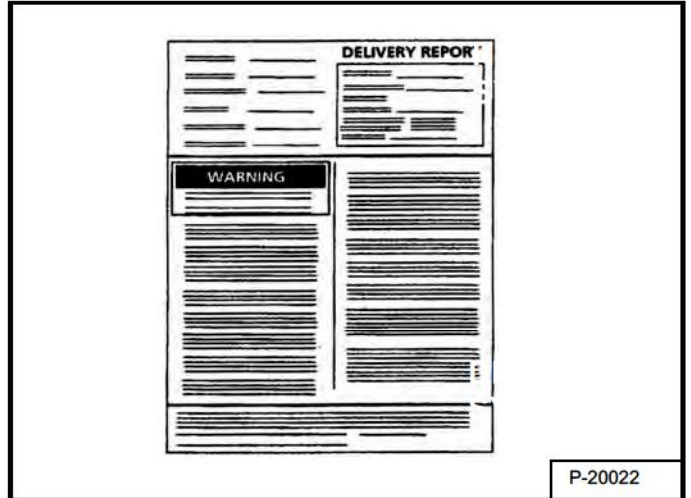
Figure 1



Always use the serial number of the silt fence installer when requesting service information or when ordering parts. Early or later models (identification made by serial number) may use different parts, or it may be necessary to use a different procedure in doing a specific service operation [Figure 1].

DELIVERY REPORT

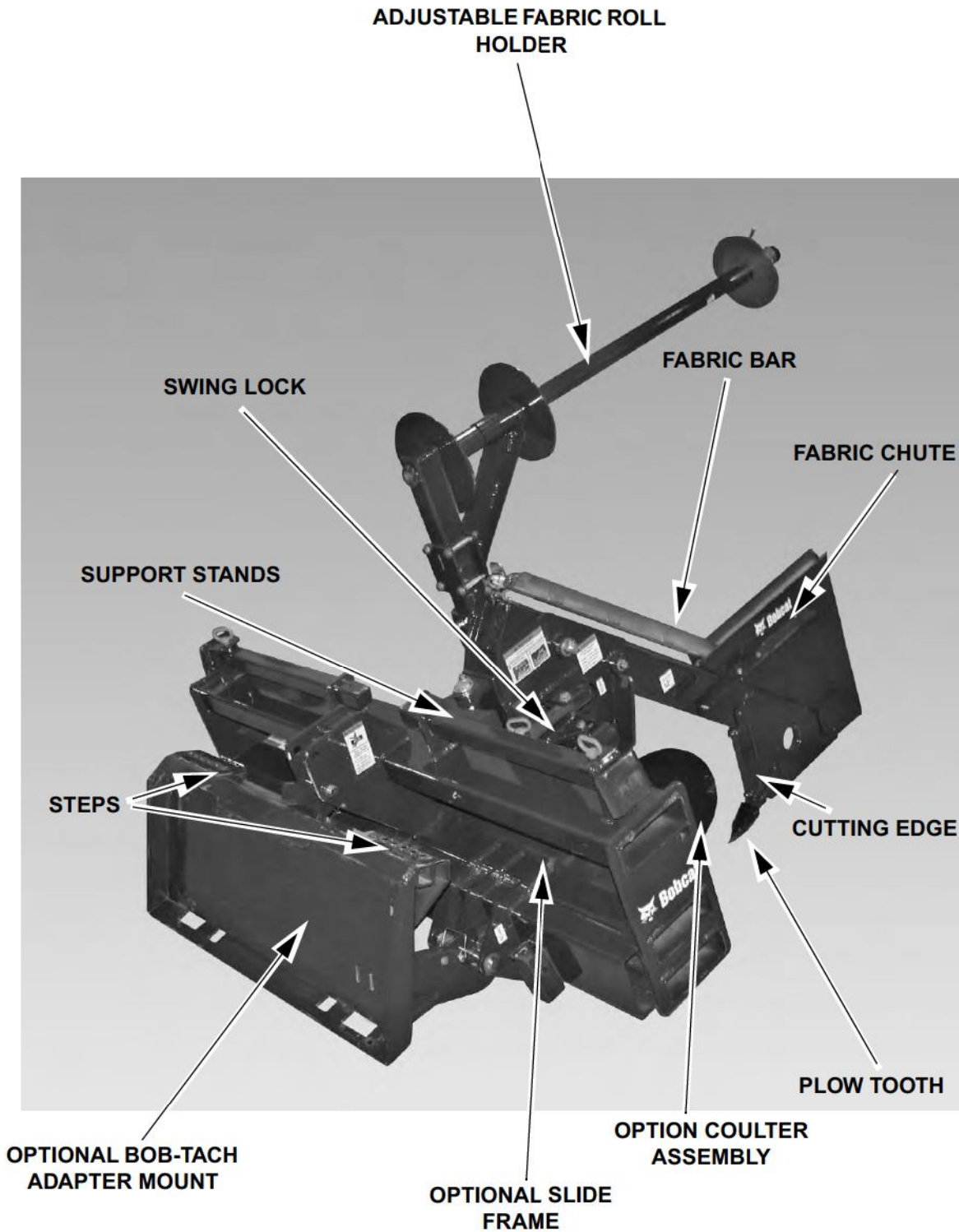
Figure 2



The delivery report [Figure 2] must be completed by the dealer and signed by the owner or operator when the Bobcat silt fence installer is delivered. An explanation of the form must be given to the owner.

Dealer Copy -- Not for Resale

ATTACHMENT / IMPLEMENT IDENTIFICATION



Dealer Copy -- Not for Resale

P-70460

FEATURES AND ACCESSORIES

Standard Items

The silt fence installer is equipped with the following standard items.

- Easy Loading Fabric Chute.
- Adjustable Fabric Roll Holder.
- Swing Lock.
- Compression Centering Springs.
- Shear Bolt.
- Adjustable Fabric Roll Spring Retaining Plate.
- Replaceable Hardened Steel Installer Blade.

Options And Accessories

Below is a list of some equipment available from your Bobcat silt fence installer dealer as Dealer and / or Factory Installed Options. See your Bobcat dealer for other available options, accessories and attachments / implements.

- Spring Loaded Coulter Assembly.
- Slide Frame.
- Bob-Tach Adapter Mount.
- Three-Point Hitch Mounting - Category 1 and 2.

SAFETY AND MAINTENANCE

TROUBLESHOOTING	10-10-1
Chart	10-10-1
LUBRICATING THE ATTACHMENT / IMPLEMENT	10-20-1
Lubrication Locations	10-20-1
REMOVAL AND INSTALLATION	10-30-1
Digging Tooth	10-30-1
Cutting Edge	10-30-1
DAILY INSPECTION	10-40-1
Attachment / Implement Mounting Frame	10-40-1
Bob-Tach	10-40-2
Three-Point Hitch	10-40-4
Implement Mounting Frame	10-40-5
Bob-Tach Mounting Frame	10-40-5
Bob-Tach Adapter Mount	10-40-5
INITIAL SETUP	10-50-1
Adjusting The Fabric Roll Holder	10-50-1
Optional Coulter Assembly	10-50-3

Dealer Copy -- Not for Resale

Buy Now



Our support email:

ebooklibonline@outlook.com