



Service Repair Manual

Models

242 SKID STEER LOADER

Product: SKID STEER LOADER

Model: 242 SKID STEER LOADER CMB

Configuration: 216 226 232 242 Skid Steer Loader CMB00001-UP (MACHINE) POWERED BY 3024C, 3034 Engine

Disassembly and Assembly 3034 Engine for Caterpillar Built Machines

Media Number -SEN5013-08

Publication Date -01/11/2008

Date Updated -14/11/2008

i01617575

Governor - Disassemble

SMCS - 1264-015

Disassembly Procedure

Start By:

- A. Remove the engine front housing. Refer to Disassembly and Assembly, "Housing (Front) - Remove".

Note: The components for the governor assembly are located in the engine front housing.

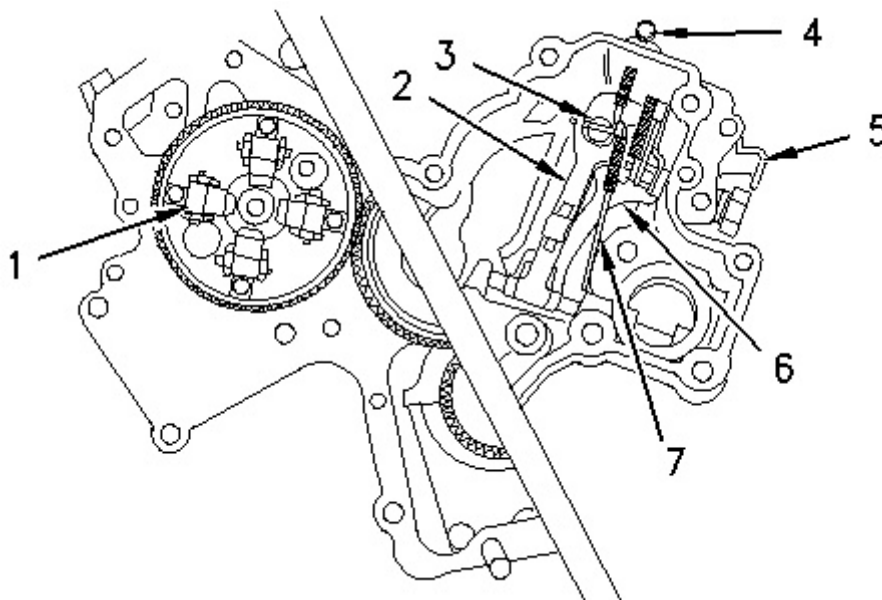


Illustration 1

g00658002

Governor components are located in the engine front housing.

The governor assembly consists of the following components:

- Governor weight assembly (1)
- Governor control lever (2)
- Angleich unit (torque control) (3)
- Adjustment screw for the maximum fuel setting (4)
- Speed control lever for the engine (5)
- Fuel control lever (6)
- Governor control linkage (7)

NOTICE

Keep all parts clean from contaminants.

Contaminants may cause rapid wear and shortened component life.

NOTICE

Care must be taken to ensure that fluids are contained during performance of inspection, maintenance, testing, adjusting and repair of the product. Be prepared to collect the fluid with suitable containers before opening any compartment or disassembling any component containing fluids.

Refer to Special Publication, NENG2500, "Caterpillar Tools and Shop Products Guide" for tools and supplies suitable to collect and contain fluids on Caterpillar products.

Dispose of all fluids according to local regulations and mandates.

Removal of the Governor Weight Assembly

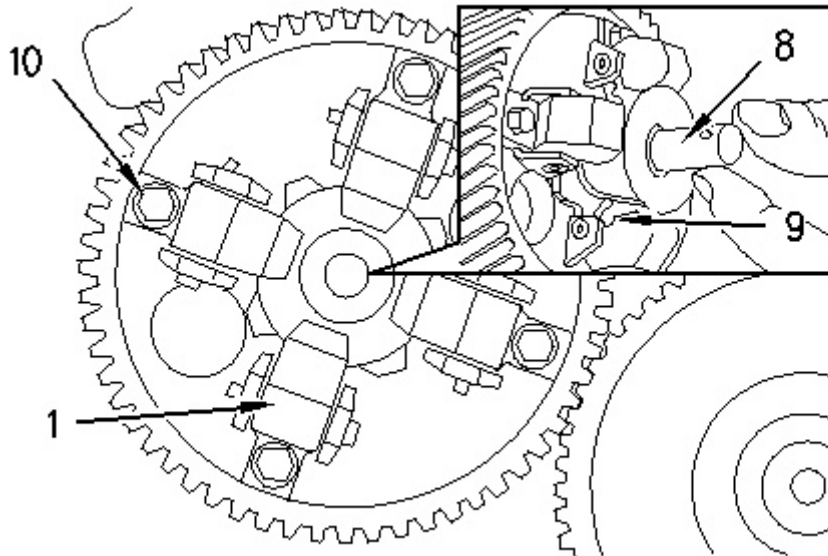


Illustration 2

g00658033

1. Remove thrust spacer (8) from the end of the gear.
2. Remove bolts (10) that secure governor weight assembly (1) to the end of the gear and then remove governor weight assembly (1) .
3. Check governor weight assembly (1) for wear or damage. Replace the components that are worn or damaged.

Remove the Speed Control Lever for the Engine

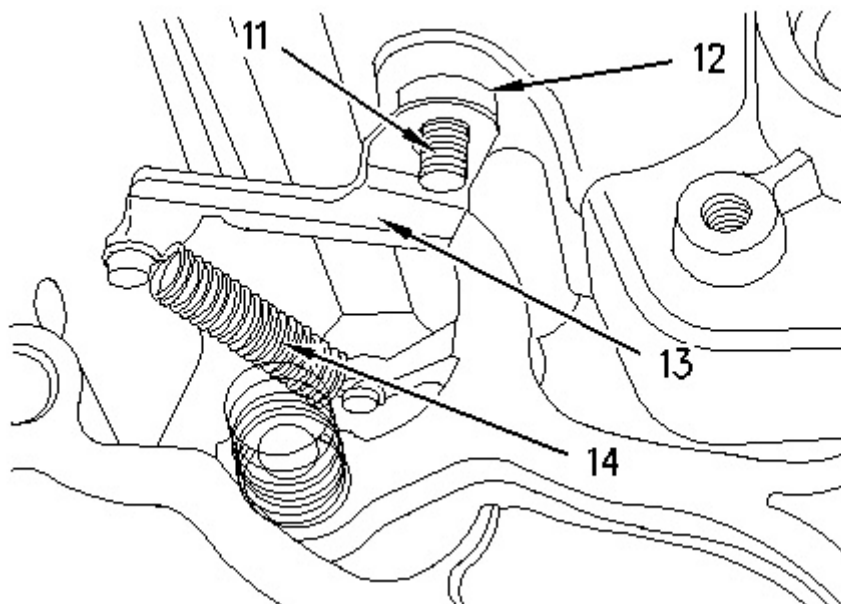


Illustration 3

g00658059

1. Remove the following items (not shown) from shaft assembly (11) : nut, lockwasher and flat washer.
2. Remove lever (13) from shaft assembly (11) .

Note: Unless lever (13) is replaced or spring (14) is replaced, it is not necessary to separate the spring from the lever.

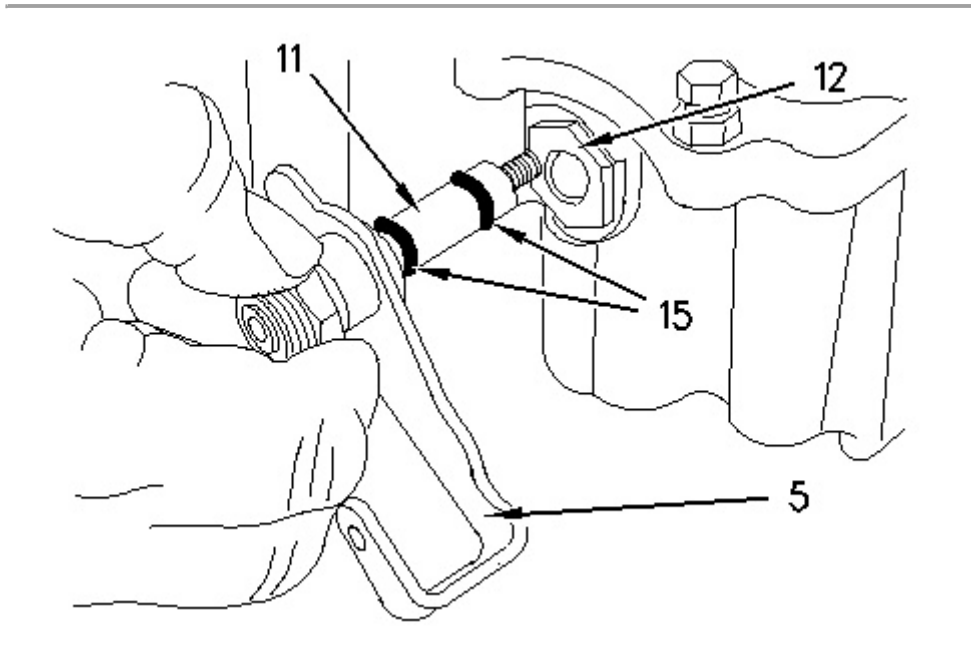


Illustration 4

g00658071

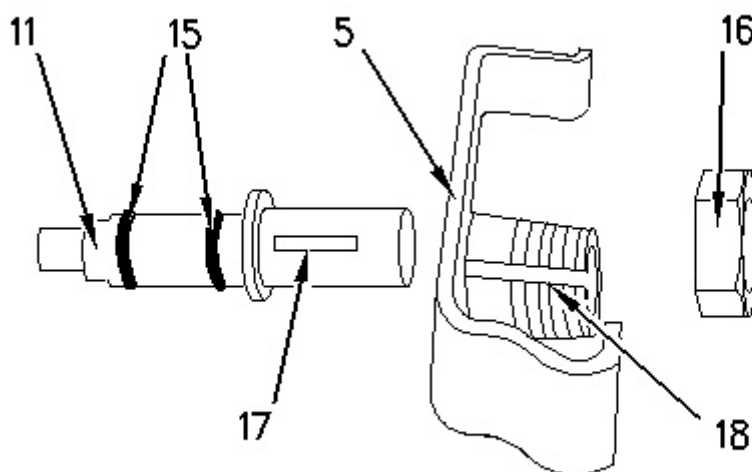


Illustration 5

g00658094

3. Remove shaft assembly (11) from bushing (12) in the engine front housing.

Thank you so much for reading.
Please click the “Buy Now!”
button below to download the
complete manual.



After you pay.

You can download the most
perfect and complete manual in
the world immediately.

Our support email:

ebooklibonline@outlook.com