

# PA700 Series Planting Attachments



JOHN DEERE

## OPERATORS MANUAL PA700 Series Planting Attachments

OMA13445 Issue C3 English

**OMA13445 Issue C3**

LITHO IN U.S.A.  
ENGLISH



## TO THE PURCHASER

Behind your new planting attachment is an organization that has designed and built farm implements for over 125 years. This planting attachment was built in a John Deere factory by experienced men, many who have worked in this large plant for from 10 to 45 years, thus assuring the utmost in good design, high-grade workmanship, and thorough inspection, so essential to the production of good implements.

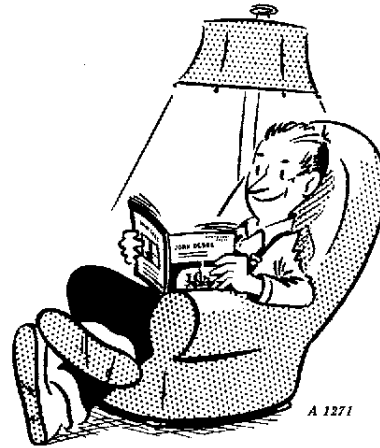
High-quality materials, precision production methods, and accurately-controlled heat-treating assure maximum strength and long life for every part.

This manual has been carefully prepared and illustrated so you may make the necessary adjustments for adapting your planting attachment to work properly in practically all types of soil and field conditions. These adjustments, such as row spacings, proper penetration, etc., are fully covered in this manual.

Occasionally your planting attachment may need new parts to replace worn parts, or require emergency service not covered in this manual. If so, we suggest that you take advantage of the facilities of-

ferred by your John Deere dealer, which assure you of genuine John Deere Parts and prompt "know-how" service in the field or in the shop.

If you will furnish your dealer with the information which should be recorded at the bottom of this page, when the planting attachment is delivered, he can give you prompt and efficient service.



Study this manual carefully. Keep it handy, in a safe place, for future reference.

**JOHN DEERE PA700 SERIES PLANTING  
ATTACHMENTS**

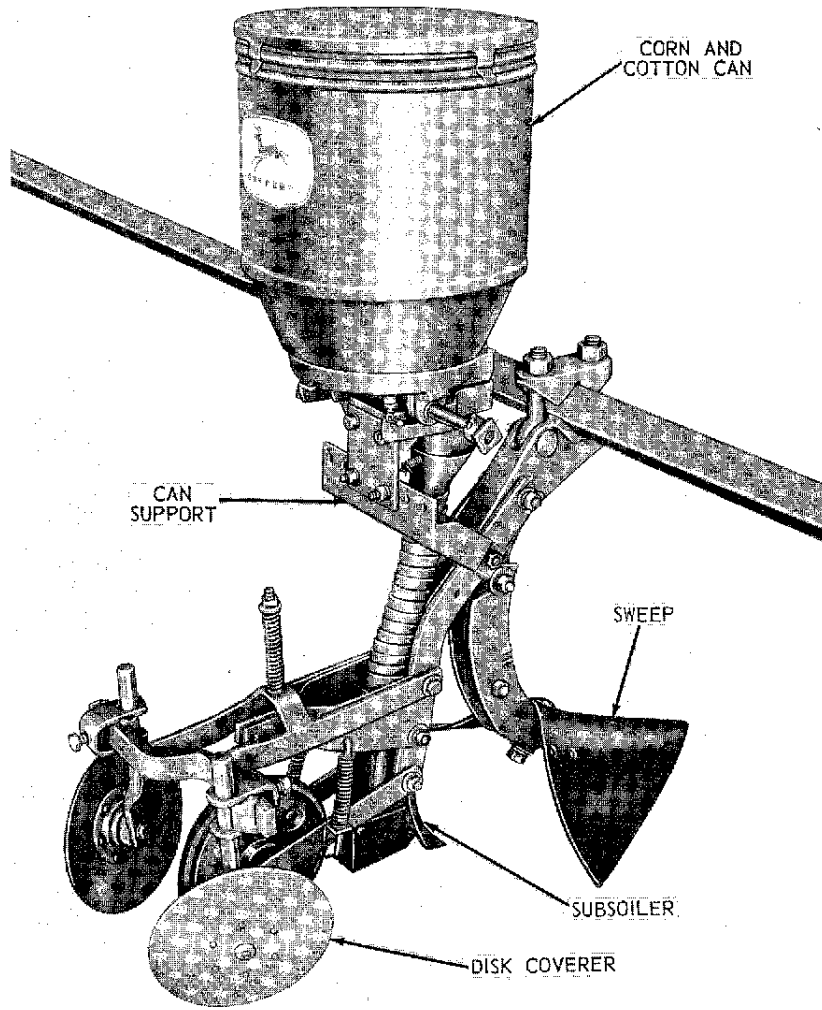
Planting Attachment No. . . . .

Date Purchased . . . . . 19 . .

*(To be filled in by Purchaser)*

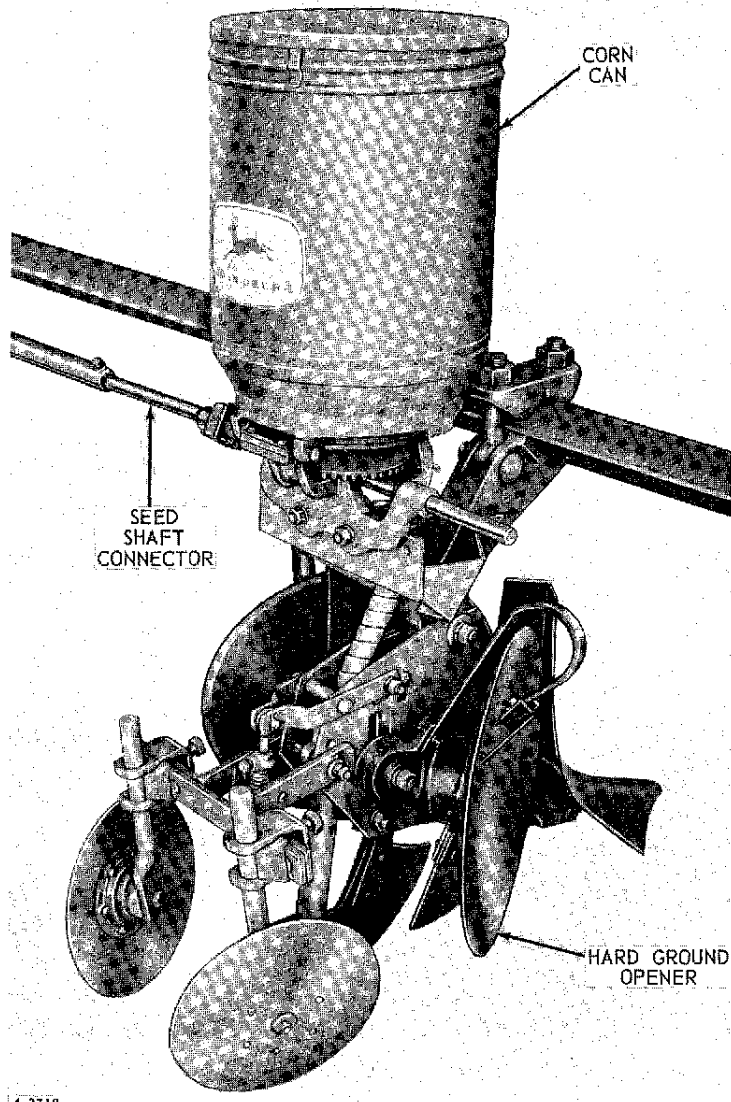
## CONTENTS

	Page
IDENTIFICATION VIEWS .....	2-4
SPECIFICATIONS .....	5
OPERATION .....	6-28
General .....	6
Preparing the Bedder .....	6
Preparing and Adjusting Tractor .....	6-7
Preparing the Planting Attachment .....	8-10
Planting Distances and Quantities .....	11-16
Adjusting Row Width .....	17
Depth of Planting .....	17
Adjusting Speed of Rockshaft Drop .....	17
Hard Ground Opener .....	17
Disk Coverer .....	18
Gauge Wheel Drive .....	18-20
Transporting .....	21
Safety Rules .....	21
Causes for Common Planting Difficulties .....	21
Special Equipment and Attachments .....	22-30
No. 6 Press Wheel Attachment .....	22
Loose Ground Opener .....	23
Rubber-Tired Press Wheel .....	23
"Scat" Planter .....	24-25
Knife Coverer .....	25
Tractor-Axle Drive .....	26-28
Shovel Coverer .....	28-29
Cell-Drop Cotton Planting Attachment .....	29
Pea or Bean Attachment .....	29
Shelled Peanut Attachment .....	30
Unshelled Peanut Attachment .....	30
Fine Seed Attachment .....	30
Brush Cut-Off and Baffle Plate .....	30
MAINTENANCE .....	31
LUBRICATION .....	32-33
ASSEMBLY .....	34-45
SHIPPING BUNDLES .....	34-36



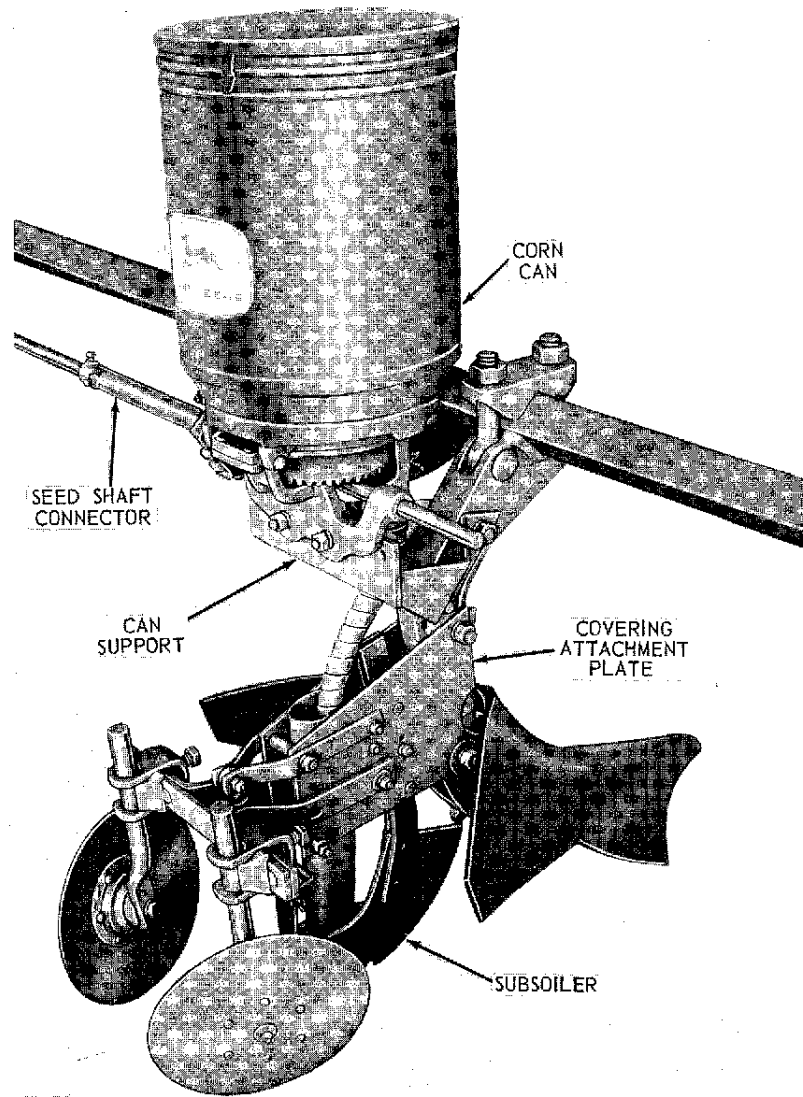
A 2718

John Deere PA704 Gauge-Wheel-Drive Planting Attachment  
with Press Wheel (Special Equipment)



A 2719

*John Deere PA732 Gauge-Wheel-Drive  
Planting Attachment*



A 2720

*John Deere PA733 Gauge-Wheel-Drive  
Planting Attachment*

## SPECIFICATIONS

TYPES . . . . .	The PA700 Series consist of the following: PA704 - 2-Row; Corn and Cotton Cans PA732 - 4-Row; Corn Cans; Hard Ground Openers PA733 - 4-Row; Corn Cans PA734 - 4-Row; Corn and Cotton Cans PA752 - 6-Row; Corn Cans; Hard Ground Openers PA753 - 6-Row; Corn Cans PA754 - 6-Row; Corn and Cotton Cans
ROW SPACING . . . . .	2-Row and 4-Row Planting Attachments: 36- to 42-inch rows. 6-Row Planting Attach- ments: 36- to 40-inch rows.
TYPE OF DRIVE . . . . .	Gauge-Wheel Drive, Regular; Tractor-Axle Drive available on PA704, PA734, and PA754, special.
DEPTH CONTROL . . . . .	Gauge Wheel Controlled.
LIFT . . . . .	Controlled by Tractor Rockshaft Control Lever.
SHOVEL COVERERS . . . . .	Available on order in lieu of Disk Coverers.
KNIFE COVERERS . . . . .	Available on order in lieu of Disk Coverers.
RUNNER OPENER WITH BOOT . . . . .	Available on order for PA732 and PA752 Planting Attachments.
NO. 6 PRESS WHEEL ATTACHMENT . . . . .	Available on order for PA732 and PA733 Planting Attachments.
SPECIAL EQUIPMENT AND ATTACHMENTS . . . . .	The following attachments are available for PA704, PA734, and PA754 Planting At- tachments: Rubber press wheel, cell drop cotton attachment, unshelled peanut at- tachment, pea or bean attachment, rub- ber cut-off and baffle plate, brush cut- off and baffle plate, vegetable and grass seed cut-off, cotton picker wheel, and "Scat" planter.

*(Specifications and design subject to change without notice.)*

*NOTE: When the term "right" or "left" is used, it means from a posi-  
tion behind the planting attachment and facing the front.*

## OPERATION

### GENERAL

The John Deere PA700 Series Planting Attachments are designed for the F311 or F871 Series Bedders.

These planting attachments have short straight-line tubes to prevent bunching of seed, and disk coverers to assure uniform depth of soil over the seed.

These planting attachments may be used for surface planting, bed planting, and furrow planting, depending on the type of planting units used.

The gauge-wheel drive assures uniform rate of planting even though soil conditions may cause tractor wheel slippage.

The planting attachment and bedder bar are fully tractor-carried when lifted but ride on gauge wheels when working, giving ample flexibility to follow ground contours.

### PREPARING THE BEDDER

Refer to the bedder operator's manual for proper use of lift springs, centering bar, and gauge wheels.

### PREPARING AND ADJUSTING TRACTOR

For complete tractor operating instructions refer to your tractor operator's manual. Also refer to bedder operator's manual for tractor adjustments.

### DRIVE SPROCKETS AND CHAIN TIGHTENERS

When the planting attachments are tractor-axle-driven, attach the drive sprockets and chain tighteners to the tractor rear axle as shown on page 26.

### ADJUSTING SPEED OF ROCKSHAFT DROP

Set the speed of the rockshaft drop on tractors on which the rockshaft and implement drop can be regulated. Adjust the valve to give a smooth slow drop of the planting attachments.

*NOTE: The planting attachments should be lowered to working position slow enough so the seed tubes do not become plugged with dirt.*

### REAR WHEEL SETTING

Set the rear wheels of the tractor to conform to the row spacing of the planting attachment. For 4- and 6-row operation set rear wheels double the row spacing desired, measuring from center-to-center of tires.

### FRONT WHEEL SETTING

On wide-front-axle tractors set front wheels to conform to rear wheel setting.



**FRONT END WEIGHTING**

Front end stability is necessary for efficient operation and safety. Therefore, it is important that weight be added to the front end of the trac-

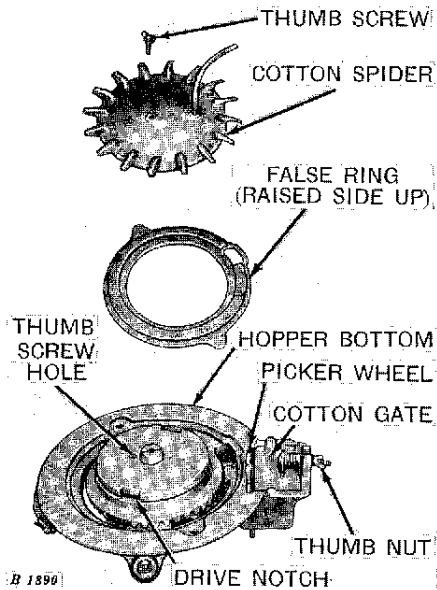
tor. The following table gives recommended front end weighting when PA700 Series Planting Attachments are used on F311 or F871 Series Bedders.

	F311 Bedders		F871 Bedders		
	2-Row	4-Row	2-Row	4-Row	6-Row
<b>2010 Row-Crop Tractors</b>	0	300	0	N.R.*	N.R.*
<b>2010 Row-Crop Utility Tractors . . . . .</b>	0	400	0	N.R.*	N.R.*
<b>3010 Row-Crop Tractors</b>					
Single Front Wheel . . .	0	700	0	500	N.R.*
Dual Front Wheel with Roll-O-Matic . . . . .	0	600	0	400	N.R.*
Adjustable Front Axle .	0	300	0	50	N.R.*
<b>3010 Row-Crop Utility Tractors:</b>					
Adjustable Front Axle- Long Wheel Base . . .	0	200	0	0	N.R.*
Adjustable Front Axle- Short Wheel Base . . .	0	300	0	0	N.R.*
Fixed Front Axle-Long Wheel Base . . . . .	0	100	0	0	N.R.*
Fixed Front Axle-Short Wheel Base . . . . .	0	200	0	0	N.R.*
<b>3010 Standard Tractors:</b>					
Adjustable Front Axle .	0	400	0	200	N.R.*
Fixed Front Axle . . . .	0	300	0	150	N.R.*
<b>4010 Row-Crop Tractors:</b>					
Single Front Wheel . . .	N.R.*	N.R.*	0	0	850
Dual Front Wheel with Roll-O-Matic . . . . .	N.R.*	N.R.*	0	0	800
Adjustable Front Axle .	N.R.*	N.R.*	0	0	450

\*N.R. — Not Recommended

PREPARING THE PLANTING ATTACHMENT

PLANTING COTTON WITH PICKER WHEEL



When using the PA704, PA734, or PA754 Planting Attachments to plant cotton, remove the corn cut-off from the hopper by unscrewing the thumb screw which holds it in place.

Place the false ring in hopper with the **raised side up**.

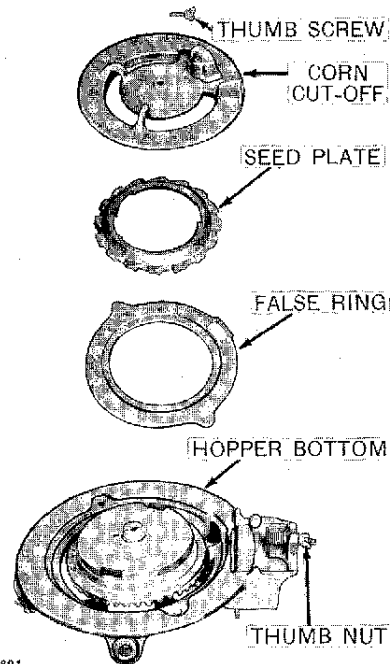
Install the cotton spider and hold it in place with the thumb screw. The hole in the cotton spider is off to one side of center and lines up with the thumb screw hole in the hopper bottom. The drive lugs on the cotton spider must engage the drive notches on the hopper bottom.

The quantity of cotton planted is regulated by the cotton gate. To increase the quantity of seed planted, turn the thumb nut to the right which will open the cotton gate. To decrease the quantity of seed planted, turn the thumb nut to the left.

For best results use the large sprocket on the press wheel shaft

and the small sprocket on the hopper drill shaft. This will drive the picker wheel at its fastest speed.

PLANTING CORN, ACID-DELINTED COTTON, AND ALL OTHER SEEDS



Remove the cotton spider.

Install false ring with **raised side up** when planting small seed such as: feterita, sorghum, etc. If corn, acid delinted cotton, or other large seeds are to be planted, install the false ring with **flat side up**.

*NOTE: Some seed plates require special false rings. See seed plate chart on page 10.*

Install seed plate.

Install corn cut-off and fasten in place with the thumb screw. The cut-off must fit tightly against the false ring.

**SEED PLATES**

The selection of the seed plates is one of the most important steps in preparing the planting attachments for the field.

There is a great variety of John Deere seed plates available in various cell sizes and number of cells.

Growing conditions change from year to year, and the size of the seed will also vary. Therefore, it is quite

likely that different seed plates are required to plant the same variety of seed from year to year.

There are two ways to select seed plates. One is to follow the recommendation of the seed supplier, if available, and the other is to take a sample of the seed to be planted to a John Deere dealer and let him recommend the seed plates.

The following is a list of the most popular plates available:

Plates for Flat Kernels of Corn			
12-Cell	16-Cell	24-Cell	Kind of Corn
.....	H697B	H2571B	Extra Small Corn
H966B	H694B	H1302B	Small Corn
.....	H1572B	H2711B	Small Slender Corn
H948B	H695B	H950B	Medium Corn
.....	H2156B	H2594B	Long Thick Corn
.....	H696B	H2836B	Large Corn
.....	H2504B	H2848B	Medium Flat Slurry Treated Corn
.....	H2503B	H2847B	Large Flat Slurry Treated Corn
.....	B12498B	.....	Extra Large Flat Slurry Treated Corn

Plates for Round Kernels of Corn			
12-Cell	16-Cell	24-Cell	Kind of Corn
.....	H2295B	.....	Extra Small Round Corn
.....	H2043B	H2824B	Small Round Corn
H2560B	H1933B	B10853B	Medium Round Corn
.....	H2044B	H2712B	Large Round Corn
.....	H2820B	.....	Extra Large Round Corn

Plates for Soybeans	
20-Cell	
H1255B	Use with H1279B Floor Plate in PA732, PA733, PA752, and PA753 Planting Attachments and P1583B Floor Plate in PA704, PA734, and PA754 Planting Attachments.
H2527B	

Plates for Edible Beans		
16-Cell	20-Cell	24-Cell
H1324B	H1300B	H1301B
H1071B	H954B	H983B
H956B	H1315B	.....
.....	H1258B	.....
.....	H1254B	.....
.....	H1255B	.....
.....	H1084B	.....

Plates for Acid-Delinted Cotton Seed	
24-Cell	48-Cell
H1301B	H3160B

## 10 Operation

The following is a partial list of seed plates which require a special false ring or floor plate, or the regular floor plate turned over:

Seed Plate No.	No. of Cells	Kind of Seed
uH 779B	16	Popcorn
uH 780B	16	Medium Country Gentleman Sweet Corn
uH 961B	16	Spanish Corn and Small Popcorn
uH 963B	16	Large Country Gentleman Sweet Corn
uH 964B	16	Small Sweet Corn, Small Sunflower Seed
uH1238B	16	Medium Shoe Peg Corn
uH1239B	16	Medium Sweet Corn, Large Sunflower Seed
uH1240B	16	Extra Small Country Gentleman Tapered Sweet Corn
kH1262B	16	Cantaloupes and Cucumbers
oH1263B	16	Beet Seed (Thin Plate)
oH1316B	16	Extra Small Round Corn
sH1322B	16	Extra, Extra Small Corn
sH1345B	16	Small Round Corn
sH1352B	16	Extra Small Narrow Corn
nH1353B	16	Tomato Seed (Machined Plate)
uH2505B	16	Popcorn
uH2671B	16	Popcorn
uH2709B	16	Popcorn

### BOTTOMS

The polished surfaces of the bottoms have been painted with protective black paint.

In most cases it is not necessary to remove the black paint because it will wear off quickly upon contact with the soil. In those soils where the black paint will not wear off, remove with gasoline, kerosene, or diesel fuel.



**Be careful when using any of these fuels so they do not ignite. The planting attachment should be in a well-ventilated area and away from any sparks or flames.**

nH2825B	16	Maize and Grain Sorghum
uH 781B	20	Popcorn
pH2527B	20	Soybeans—Heavy Planting
sH2672B	24	Maize and Grain Sorghum
nH1256B	25	Onion Seed (Machined)
nH3102B	32	Maize and Grain Sorghum
uH 776B	..	Blank Plate 5/32" Thick (Holes can be drilled up to 1/4")
kH1211B	..	Blank Plate 5/32" Thick (Cells can be filed in edge)
nH1259B	..	Blank Plate 5/32" Thick (Machined)

### Legend

(k)	Corn Can —Use with Y3313B False Ring
(k)	Cotton and Corn Can—Use with P509B False Ring
(n)	Corn Can —Use with AH306B Floor Plate and Y5055B False Ring
(n)	Cotton and Corn Can—Use with P671B False Ring
(o)	Corn Can —Use with H1264B Floor Plate
(p)	Corn Can —Use with H1279B Floor Plate
(p)	Cotton and Corn Can—Use with P1583B False Ring
(s)	Corn Can —Use with H1323B Floor Plate
(s)	Cotton and Corn Can—Use with P2498B False Ring Raised Side Up
(u)	Corn Can —Use with Y2630B False Ring or H1346B Floor Plate
(u)	Cotton and Corn Can—Turn P1582B False Ring Raised Side Up

If the planting attachment is not to be used immediately, protect the polished surfaces by applying a coat of John Deere Plow Bottom Black Paint or cup or gun grease.

### BOLTS AND SET SCREWS

Before starting to work with a new planting attachment or one which has been stored, check to see that all bolts and set screws are tight and all cotter pins are spread to keep them from falling out.

### LUBRICATION

Be sure planting attachment has been properly lubricated. See lubrication chart on pages 32 and 33.

**PLANTING DISTANCES AND QUANTITIES**

The sprockets, length of chains, and seed plates determine the planting distances in the field. The number of points or teeth on the sprockets govern the speed that the seed plate travels in relation to the ground travel. The length of the chain is determined by the size of the sprockets used.

**ACID-DELINTED COTTON SEED - Gauge-Wheel Drive; 40-inch Rows  
5.90-15 Tires, 8-Tooth Sprocket on Gauge Wheel Drive**

Changeable gears Driving	Driven	Inches ground travel per plate revolution	Plate revolutions per acre	Pounds per acre planted		
				24-cell H1301B or 48-cell H3160B	16-cell H695B	24-cell H950B
12-tooth	6-tooth	96	1630	17.8	20.4	28
12-tooth	*7-tooth	112	1426	15.6	17.8	24.7
12-tooth	8-tooth	128	1223	13.4	15.3	21.4
12-tooth	*9-tooth	144	1090	11.9	14.9	19.4
8-tooth	6-tooth	144	1090	11.9	14.9	19.4
12-tooth	10-tooth	160	980	10.7	12.2	17.5
8-tooth	8-tooth	192	815	8.9	10.2	14.1
8-tooth	10-tooth	240	653	7.1	8.2	11.6
6-tooth	8-tooth	256	613	6.7	7.7	10.9
8-tooth	12-tooth	288	545	6	6.8	9.7
*9-tooth	12-tooth	256	613	6.7	7.7	10.9
6-tooth	10-tooth	320	490	5.4	6.1	8.8
6-tooth	12-tooth	384	408	4.5	5.1	7.3
*7-tooth	12-tooth	336	476	5.3	6.0	8.5

**NOTES:** When gauge wheels with 6.70-15 tires are used, reduce planting amounts by 5 per cent.  
 When gauge wheels with 7.60-15 tires are used, reduce planting amounts by 11 per cent.  
 Add 5 per cent for 38-inch rows.  
 Add 11 per cent for 36-inch rows.  
 \*7- and 9-tooth sprockets are available as special equipment.

**ACID-DELINTED COTTON SEED - Tractor-Axle Drive; 40-inch Rows  
3010 or 4010 Tractor; 13.6-38, 15.5-38, or 18.4-30 Tires**

Changeable gears Driving	Driven	Inches ground travel per plate revolution	Plate revolutions per acre	Pounds per acre planted		
				24-cell H1301B or 48-cell H3160B	16-cell H695B	24-cell H950B
12-tooth	6-tooth	82	1910	20.8	24	34
12-tooth	*7-tooth	96	1668	18.2	20.6	30
12-tooth	8-tooth	110	1425	15.6	17.8	25
12-tooth	*9-tooth	123	1275	14	16	22.7
8-tooth	6-tooth	123	1275	14	16	22.7
12-tooth	10-tooth	137	1145	12.5	14.3	20.5
8-tooth	8-tooth	165	950	10.4	11.9	17
8-tooth	10-tooth	206	760	8.3	9.5	13.5
6-tooth	8-tooth	220	712	7.8	8.9	12.7
8-tooth	12-tooth	248	632	6.9	7.9	11.2
*9-tooth	12-tooth	220	712	7.8	8.9	12.7
6-tooth	10-tooth	274	552	6	6.9	9.8
8-tooth	12-tooth	329	476	5.2	6	8.5
*7-tooth	12-tooth	288	554	6	7	9.8

**NOTE:** Above figures will increase by 6 per cent on 2010 Series Tractors regardless of tire size except as above.  
 \*7- and 9-tooth sprockets are available as special equipment.

Thank you so much for reading.  
Please click the “Buy Now!”  
button below to download the  
complete manual.



After you pay.

You can download the most  
perfect and complete manual in  
the world immediately.

Our support email:

[ebooklibonline@outlook.com](mailto:ebooklibonline@outlook.com)