

John Deere Pre- Emergence Sprayer (For the 246 Corn Planter, 247 Cotton and Corn Planter)



OPERATORS MANUAL

John Deere Pre- Emergence Sprayer (For the 246
Corn Planter, 247 Cotton and Corn Planter)

OMB25054 L1 English

OMB25054 L1

LITHO IN U.S.A.
ENGLISH



To the purchaser

Your new Pre-Emergence Sprayer is sturdy and dependable. It will give long and efficient service if given proper care and operation.

This Operator's Manual contains information on the proper operation, adjustment and maintenance of your new Pre-Emergence Sprayer.

When in need of parts, see your John Deere dealer. He will furnish genuine John Deere Parts and prompt and efficient service in the field or in the shop.

Right-hand and left-hand reference is determined by standing at the rear of the machine and facing the direction of travel.



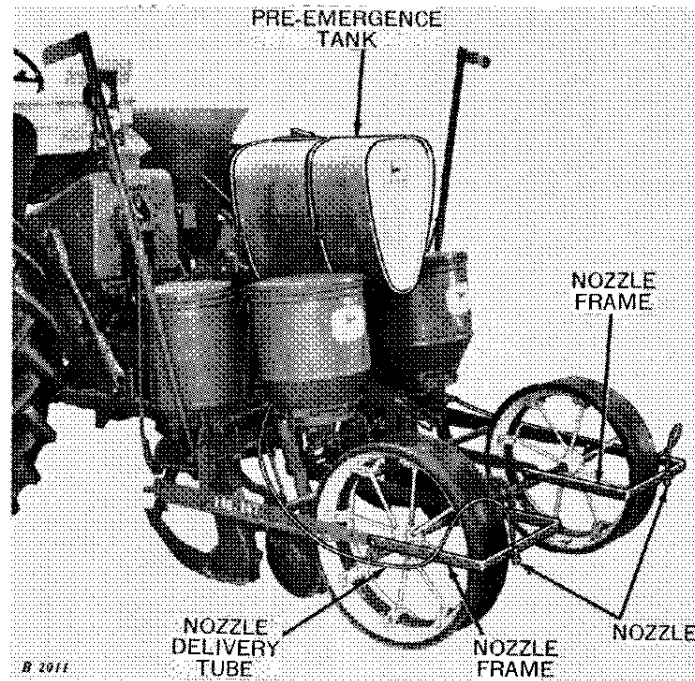
Study this manual carefully. Keep it handy, in a safe place, for future reference.

Date Purchased

Contents

IDENTIFICATION VIEW	1
SPECIFICATIONS	1
OPERATION	2-8
Attaching to Tractor	2
On and Off Adjustment	2
Pressure Control	3
Band Widths	3
Row Widths	3
Determining Rate of Application	4-7
Pump	8
Safety Suggestions	8
MAINTENANCE	9
ASSEMBLY	10-13
Shipping Bundle	10

Specifications



Pre-Emergence Sprayer Installed on a John Deere 247 Cotton and Corn Planter

The Pre-Emergence Sprayer is used to apply any commercial liquid form of herbicide in the row at the time of planting. It can be used with or without the dry fertilizer attachment. It **cannot** be used with the liquid fertilizer attachment. All parts are made from a chemical resistant material.

TANK CAPACITY—Approximately 25 gallons.

PUMP—A gear pump operated by the tractor power take-off furnishes the pressure needed to operate the sprayer.

CONTROLS—The pressure regulator is easily accessible and the pressure gauge is visible from the tractor seat.

NOZZLES—Located at the rear of the press wheels.

NOZZLE TIPS—Nozzle tip number B11655B is furnished as regular equipment. Other nozzle tips of various sizes are available from your John Deere dealer.

WIDTH OF SPRAY BAND—Adjustable, by moving the nozzle frame up or down.

(Specifications and design subject to change without notice.)

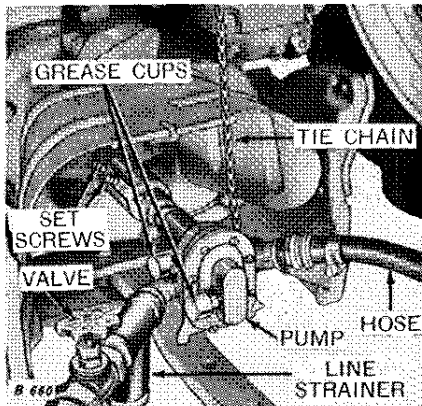
Operation

Attaching to tractor

For complete operating instructions concerning the tractor, refer to the tractor operator's manual.

For complete operating instructions concerning the planter, refer to the planter operator's manual.

Attach the planter to the hitch draft links and secure each side with a Quik-Lock pin. Position the planter mast and secure it to the hitch center link.



Place the pump over the tractor PTO shaft with the two set screws between the splines in the shaft and then tighten the set screws securely.

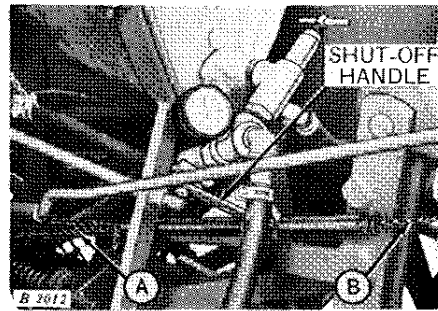
Attach the tie chain to some fixed position on the tractor above the pump so the pump will be held approximately in a horizontal position.

Open the valve next to the line strainer.



CAUTION: Keep the tractor power take-off shield in place at all times.

"ON" and "OFF" adjustment



Lower the planter and adjust chain "B" until the shut-off valve handle is forward and the valve is open.

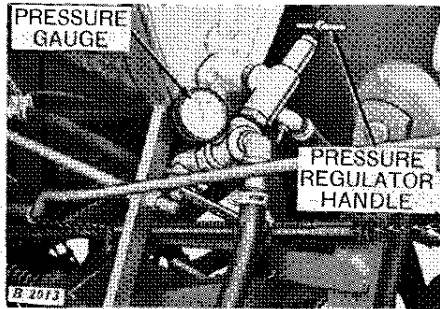
Raise the planter and adjust chain "A" until the shut-off valve handle is to the rear and the valve is closed.

Pressure control

Before starting to plant, consult charts on pages 5, 6, and 7 to determine the gauge pressure that will be required.

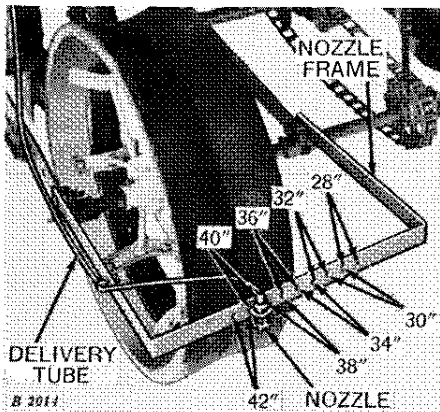
Start the tractor and throttle engine to the speed that will be used when driving in the field.

Open all line valves and lower the planter to the planting position.



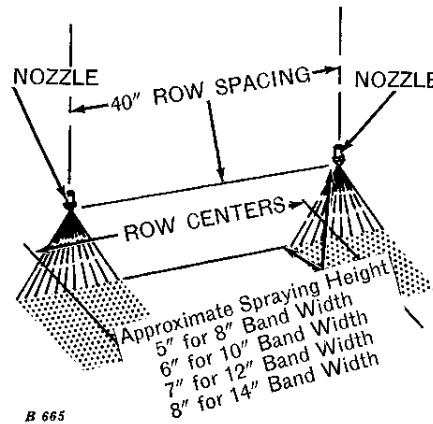
Adjust the pressure regulator handle until the desired pressure is registered on the pressure gauge.

Row widths



Install the nozzles at the center of the press wheels for the desired row widths.

Band widths



The height of each nozzle frame from the ground determines the width of the band of spray on the soil.

Raise the nozzle frames to increase the width of the bands. Lower the nozzle frames to decrease the width of the bands.

NOTE: Avoid having sharp kinks in the delivery hoses.

Adjust the nozzles so that the slot in the bottom of each nozzle is at right angles to the direction of travel.

4 operation

Determining rate of application

Most manufacturers of chemicals used for pre-emergence spraying recommend a definite amount of active ingredient of the particular chemical being used to be applied per acre. However, the chemical must be diluted with water for proper usage and easy handling.

Follow the chemical manufacturers' instructions for mixing the spray for the rate of application.

Application rates recommended by most chemical manufacturers are calculated on the basis of complete coverage. When applying the spray in bands, as with this attachment, less than the rate for complete coverage will be applied. For example, if you are planting 40-inch rows and applying spray at a concentration of 10 gallons per acre in 10-inch bands, the actual amount of spray applied will be 2-1/2 gallons per acre.

Several factors affect the rate of application. They are the speed of planting, width of bands being sprayed, pressure in the system, and size of the nozzle tips. The charts on pages 5, 6, and 7 show what the pressure must be to obtain a particular rate of application for different speeds, row spacings, band widths, and nozzle tips. The charts also give the actual amount of spray applied per acre so you can check the rate of application.

The tank capacity is approximately 25 gallons.

NOZZLE TIPS FOR PRE-EMERGENCE SPRAYING			
John Deere Tip Number	Number Stamped On Tip	Capacity in Gal. Per Min. at 40 psi	Recommended Mesh of Screen
B11652B	8001E	.10	100 Mesh
B11653B	80015E	.15	100 Mesh
B11654B	8002E	.20	50 Mesh
B11655B*	8003E	.30	50 Mesh
B11656B	8004E	.40	50 Mesh
B13194B	8005E	.50	50 Mesh
B13195B	8006E	.60	50 Mesh

*Regular Equipment.

NOTE: Other nozzle tip sizes than those specified may be used if pressure is adjusted accordingly; however, the nozzle tip size listed will hold the required pressure within the recommended limits for best operation.

When using nozzle tips B11652B or B11653B, it will be necessary to obtain 100 mesh screens for the nozzles instead of the 50 mesh screens that are provided.

Thank you so much for reading.
Please click the “Buy Now!”
button below to download the
complete manual.



After you pay.

You can download the most
perfect and complete manual in
the world immediately.

Our support email:

ebooklibonline@outlook.com