

406 AND 407 LOOSE GROUND LISTER PLANTERS



JOHN DEERE

OPERATORS MANUAL 406 AND 407 LOOSE GROUND LISTER PLANTERS

OMB25251 B5 English

OMB25251 B5

LITHO IN THE U.S.A.
ENGLISH



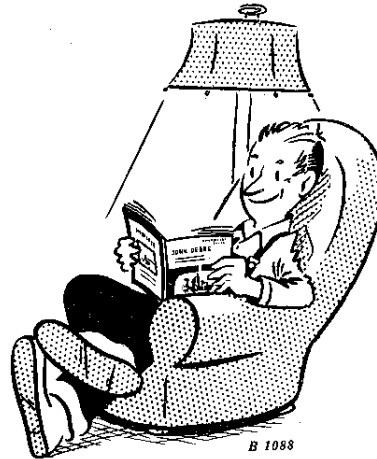
TO THE PURCHASER

Your new 406 or 407 Loose Ground Lister Planter is sturdy and dependable. It will give long and efficient service if given proper care and operation.

This operator's manual is provided to furnish information on the proper operation, adjustment, maintenance, and lubrication of your new planter.

When in need of parts, see your John Deere dealer. He will furnish genuine John Deere Parts and prompt and efficient service in the field or in the shop.

Right-hand and left-hand reference is determined by standing at the rear of the planter and facing the direction of travel.



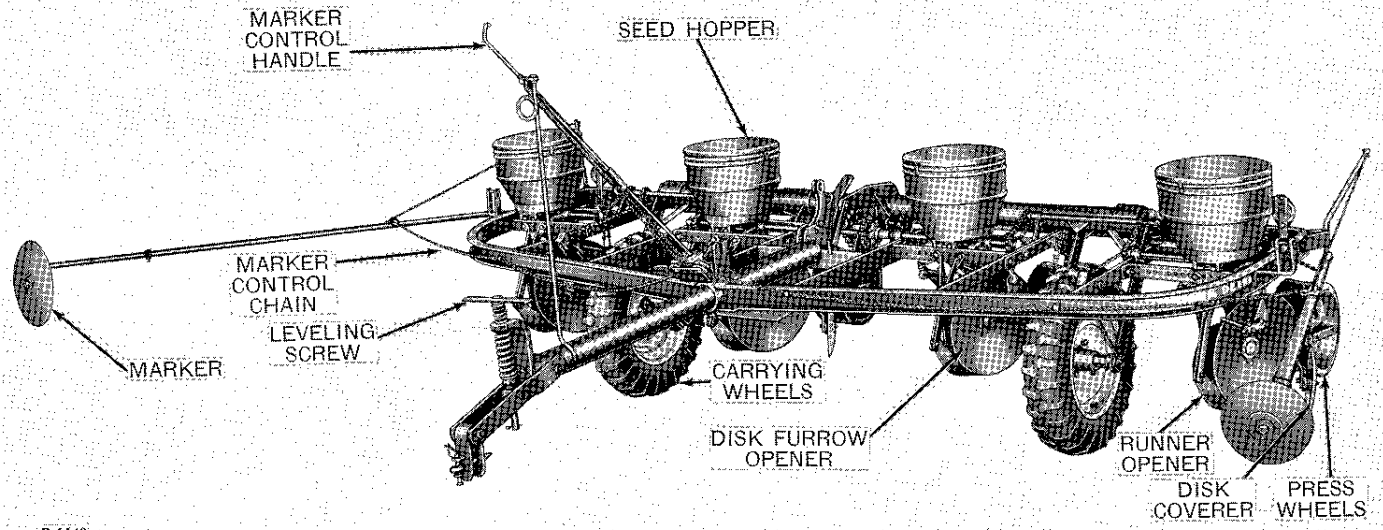
Study this manual carefully. Keep it handy, in a safe place, for future reference.

IMPORTANT: Proper lubrication is required to keep your planter in good working condition and to guard against excessive wear, breakage, or hard driving. See page 23 for Lubrication Charts.

JOHN DEERE 406 OR 407 LOOSE GROUND LISTER PLANTER	
<p>Check off model of your planter, special equipment obtained, and record date purchased.</p>	
<p>Model:</p> <p>406..... <input type="checkbox"/></p> <p>407..... <input type="checkbox"/></p>	<p>Insecticide Attachment..... <input type="checkbox"/></p> <p>Seed Packer Wheel..... <input type="checkbox"/></p> <p>Baffle Plate for Shelled Peanuts. <input type="checkbox"/></p> <p>Unshelled Peanut Attachment.. <input type="checkbox"/></p> <p>Brush Cut-Off..... <input type="checkbox"/></p> <p>Fine Seed Attachment..... <input type="checkbox"/></p> <p>Pea or Bean Attachment..... <input type="checkbox"/></p> <p>Date Purchased..... <input type="checkbox"/></p>
<p>Fertilizer Attachment:</p> <p>Dry..... <input type="checkbox"/></p> <p>Liquid..... <input type="checkbox"/></p>	

TABLE OF CONTENTS

	<i>Page</i>		<i>Page</i>
SPECIFICATIONS.....	3	Semi-Pneumatic Press	
OPERATION.....	4	Wheel Tires.....	19
Preparing the Tractor.....	4	Insecticide Attachment...	20
Preparing the Planter.....	4-8	Unshelled Peanut Attach-	
Row Widths.....	4	ment—407 Planter only.	20
Markers.....	4	Baffle Plate for Shelled Pea-	
Planting Cotton—407		nuts—407 Planter only.	20
only.....	5	Seed Packer Wheel.....	20
Planting All Seed Except		Pea or Bean Attachment—	
Cotton—407 only....	5	406 Planter only.....	21
Drilling.....	6	Pea or Bean Attachment—	
Table of Approximate		407 Planter only.....	21
Drilling Distances....	6	Fine Seed Attachment—	
Pounds of Soybeans		407 Planter only.....	21
Planted per Acre....	7	Brush Cut-Off and Baffle	
Pounds of Maize Planted		Plate Attachment—407	
per Acre.....	7	Planter only.....	21
Approximate Plant		Safety Suggestions.....	22
Population per Acre..	7	LUBRICATION.....	23
Seed Plates.....	7-8	MAINTENANCE.....	24
Hitching and Transporting		ASSEMBLY.....	25-35
Planter.....	10	Main Frame and Shanks.	25-26
Leveling the Planter.....	10	Axle and Wheels.....	26-27
Marker Control.....	11	Hitch and Marker Control	
Depth of Furrow and		Bracket.....	27
Planting.....	11	Markers.....	28
Disk Coverers.....	12	Covering Disks.....	29
Spring Pressure Adjust-		Seed Hoppers.....	29
ment.....	12	Dry Fertilizer Attachment	29-30
Clutch Linkage Adjust-		Liquid Fertilizer Attach-	
ment.....	12	ment.....	31-32
Fertilizer Attachments...	13-18	Fertilizer Disk Openers..	33
Dry Fertilizer Attach-		Seed Packer Wheel.....	34
ment.....	13-16	Insecticide Attachment..	34-35
Liquid Fertilizer Attach-		Semi-Pneumatic Press	
ment.....	17-18	Wheel Tires.....	35
Fertilizer Disk Openers.	19		



B 1148

407 Loose Ground Lister Planter with Rubber Press Wheel Tires

SPECIFICATIONS

TYPES—406 Loose Ground Lister Planter—corn and other seeds.

407 Loose Ground Lister Planter—cotton, corn, and other seeds.

ROW SPACING—36, 38, or 40 inches.

TYPE OF DRIVE—Sprocket and roller chain from ground wheels with differential to equalize drive.

GROUND WHEELS—15-INCH rims, less tires. (Traction-type tires recommended).

SEED HOPPERS—Large capacity—406 Planter equipped with seed gauges.

PRESS WHEELS—12-Inch heavy-duty Semi-Pneumatic press wheel tire available as special equipment.

MARKERS—Disk type, power lifted.

PLANTING DEPTH—Determined by position of disk furrow openers on shanks.

DRY FERTILIZER ATTACHMENT—Auger fed. Delivery rate is determined by the type of augers installed in the hoppers, and by changing the sprocket combinations on the fertilizer drive.

LIQUID FERTILIZER ATTACHMENT—Gravity fed. Delivery rate changed by changing the rate of travel or the orifice disk setting in the metering head.

FERTILIZER DISK OPENER—With disk opener, a large quantity of fertilizer is distributed to one side of, and either level with, or below the seed.

SEED PACKER WHEEL—Will press the seed against the moist soil in the bottom of the furrow. Recommended for use in dry soils. It is not recommended for loose soils such as peat, or wet sticky soils.

INSECTICIDE ATTACHMENT—Used for applying granular insecticide in the row with the seed.

PEA AND BEAN ATTACHMENT—Used for dropping corn and beans alternately in the row.

FINE SEED ATTACHMENT—407 only—Used for planting vegetables, grass, and similar small seeds.

BRUSH CUT-OFF AND BAFFLE PLATE—407 Planter only—Used for planting fragile seeds such as castor beans.

COTTON CELL-DROP ATTACHMENT—407 Planter only—Used in place of picker wheel for planting gin-run or mechanically delinted cotton seed.

SHELLED PEANUT ATTACHMENT—407 Planter only—Reduces seed damage by using plate which supports most of seed weight.

UNSHELLED PEANUT ATTACHMENT—407 Planter only—Used for planting peanuts in the shell.

(Specifications and design subject to change without notice)

OPERATION

PREPARING THE TRACTOR

The tractor must be equipped with an 8-inch stroke hydraulic remote cylinder that conforms to ASAE-SAE standards.

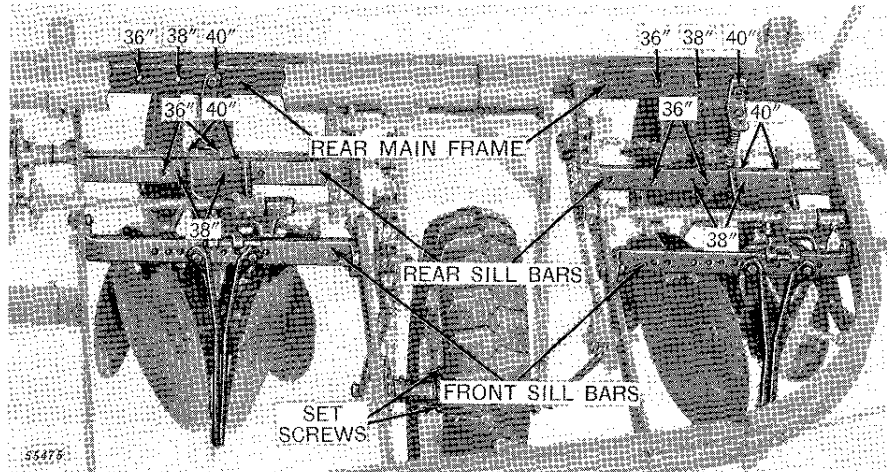
On John Deere Tractors, place the drawbar in the short setting and bolt it in the center position.

On adjustable tread tractors set the rear wheels, center to center of tread, and equal distance from center line of tractor as follows:

Row Spacing	Tractor Wheel Tread
40"	80"
38"	76"
36"	72"

PREPARING THE PLANTER

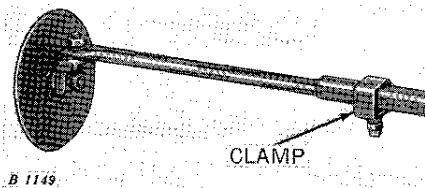
ROW WIDTHS



The planter is assembled for 40-inch row widths. To change the row widths to 38 or 36 inches, loosen the shanks and pressure spring brackets and move them to the desired setting, as illustrated, on rear main frame and rear sill bar. The shank will then line up with the correct holes in the front sill bar. Reinstall and tighten all bolts.

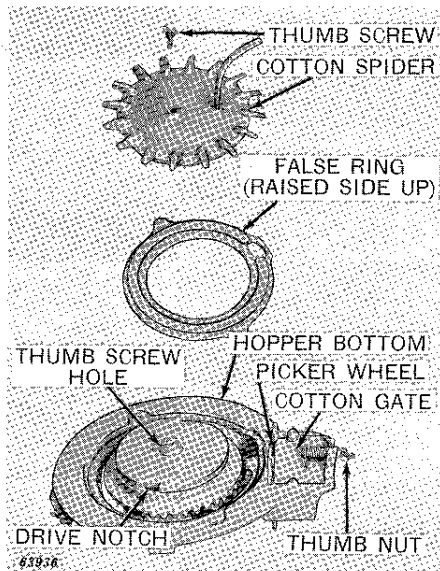
The planter wheels are adjustable. Loosen the four set screws on each wheel and position wheels wide for 40-inch rows, narrow for 36-inch rows and in the center of the wheel arms for 38-inch rows. Tighten set screws after adjusting wheels.

MARKERS



Set the disk-type markers, on the marker arms, to correspond to the row width setting. For 40-inch rows, set the marker disk 100 inches from the outside runner; for 38-inch rows, 95 inches, and for 36-inch rows, 90 inches.

PLANTING COTTON— 407 ONLY



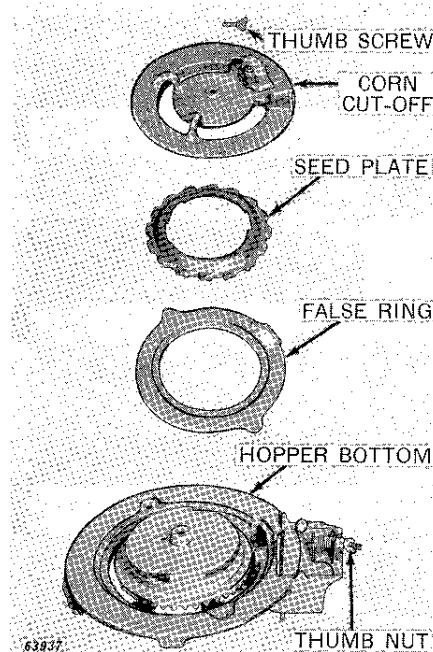
When using the 407 Planter to plant cotton, remove the corn cut-off from the hopper by unscrewing the thumb screw which holds it in place.

Place the false ring in hopper with the **raised side up**.

Install the cotton spider and hold it in place with the thumb screw. The hole in the cotton spider is off to one side of center and lines up with the thumb screw hole in the hopper bottom. The drive lugs on the cotton spider must engage the drive notches on the hopper bottom.

The quantity of cotton planted is regulated by the cotton gate. To increase the quantity of seed planted, turn the thumb nut to the right which will open the cotton gate. To decrease the quantity of seed planted, turn the thumb nut to the left.

PLANTING CORN AND ALL OTHER SEED EXCEPT COTTON —407 ONLY



Remove the cotton spider.

Install false ring with **raised side up** when planting small seed such as: feterita, sorghum, etc. If corn or other large seeds are to be planted, install the false ring with **flat side up**.

NOTE: Some seed plates require special false rings. See seed plate chart, pages 8 and 9.

Install seed plate.

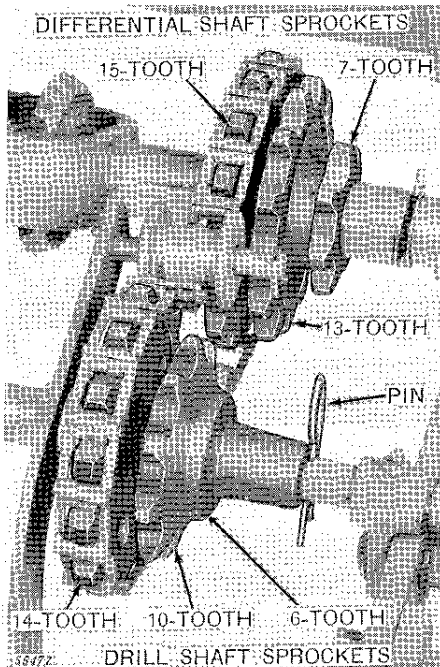
Install corn cut-off and fasten in place with the thumb screw. The cut-off must fit tightly against the false ring.

DRILLING

Nine different drilling distances can be obtained with each seed plate.

There are three sprockets, 7-, 13-, and 15-tooth, on the differential shaft and three sprockets, 6-, 10-, and 14-tooth, on the drill shaft.

Combinations of these sprockets



will give the approximate drilling distances as listed in the chart.

When drilling cotton, with the use of a cotton picker wheel, with the 407 Planter, use the large sprocket on the differential shaft and the small sprocket on the drill shaft. This

drives the cotton spider at its fastest speed. The amount of cotton planted is regulated by the cotton gate. Open the gate, by turning the thumb nut to the right, to increase the quantity of seed planted. Close the gate, by turning the thumb nut to the left, to decrease the quantity of seed planted.

The raised side of the false ring must be up when planting cotton.

APPROXIMATE DRILLING DISTANCES IN INCHES

Cells in Seed Plate			Differential Shaft Sprocket	Drill Shaft Sprocket
6	8	12		
16.0"	12.0"	8.0"	15-Tooth	6-Tooth
18.0"	14.0"	9.0"	13-Tooth	6-Tooth
26.6"	20.0"	13.3"	15-Tooth	10-Tooth
30.9"	23.2"	15.5"	13-Tooth	10-Tooth
34.7"	26.0"	17.3"	7-Tooth	6-Tooth
37.8"	28.4"	18.0"	15-Tooth	14-Tooth
43.7"	32.8"	21.9"	13-Tooth	14-Tooth
57.6"	43.2"	28.8"	7-Tooth	10-Tooth
81.3"	61.0"	40.6"	7-Tooth	14-Tooth

Cells in Seed Plate			Differential Shaft Sprocket	Drill Shaft Sprocket
16	20	24		
6.0"	4.8"	4.0"	15-Tooth	6-Tooth
7.0"	5.6"	4.5"	13-Tooth	6-Tooth
10.0"	8.0"	6.6"	15-Tooth	10-Tooth
11.6"	9.3"	7.7"	13-Tooth	10-Tooth
13.0"	10.4"	8.7"	7-Tooth	6-Tooth
14.2"	11.4"	9.4"	15-Tooth	14-Tooth
16.4"	13.1"	10.9"	13-Tooth	14-Tooth
21.6"	17.3"	14.4"	7-Tooth	10-Tooth
30.5"	24.4"	20.3"	7-Tooth	14-Tooth

APPROXIMATE POUNDS OF SOYBEANS PLANTED PER ACRE USING H1255B PLATE				
Pounds per Acre in Row Widths of			Differential Shaft Sprocket	Drill Shaft Sprocket
36"	38"	40"		
22	21	20	7-Tooth	14-Tooth
31	30	28	7-Tooth	10-Tooth
41	40	37	13-Tooth	14-Tooth
48	46	43	15-Tooth	14-Tooth
52	50	47	7-Tooth	6-Tooth
59	56	53	13-Tooth	10-Tooth
68	65	61	15-Tooth	10-Tooth
97	92	88	13-Tooth	6-Tooth
113	107	102	15-Tooth	6-Tooth

NOTE: By using Special 20-Cell Plate H2527B with H1279B Floor Plate in the 406 Planter and P1583B in the 407 Planter, the above quantities are increased approximately 50%. There are 60 pounds of soybeans to the bushel.

APPROXIMATE POUNDS OF MAIZE PLANTED PER ACRE USING 24-CELL PLATE H2672B*				
Pounds per Acre in Row Widths of			Differential Shaft Sprocket	Drill Shaft Sprocket
36"	38"	40"		
3.58	3.38	3.22	7-Tooth	14-Tooth
5.05	4.79	4.53	7-Tooth	10-Tooth
6.65	6.29	5.96	13-Tooth	14-Tooth
7.68	7.29	6.90	15-Tooth	14-Tooth
8.38	7.95	7.54	7-Tooth	6-Tooth
9.41	8.90	8.44	13-Tooth	10-Tooth
10.91	10.31	9.79	15-Tooth	10-Tooth
15.60	14.90	14.00	13-Tooth	6-Tooth
18.20	17.23	16.30	15-Tooth	6-Tooth

*Use with H1323B False Plate in 406 Planter and P2498B False Plate in 407 Planter.

NOTE: By using 16-Cell Plate H2825B with Y5055B False Ring and AH306B Floor Plate in the 406 Planter, and P671B in the 407

Planter, the above quantities will be decreased by two-thirds. By using 32-Cell Plate H3102B with Y5055B False Ring and AH306B Floor Plate in the 406 Planter, and P671B False Ring in the 407 Planter, the above quantities will be decreased by one-third.

APPROXIMATE PLANT POPULATION PER ACRE				
Based on a 16-Cell Plate and one seed per cell				
Plant Population per Acre			Differential Shaft Sprocket	Drill Shaft Sprocket
36" Rows	38" Rows	40" Rows		
5699	5391	5134	7-Tooth	14-Tooth
8062	7626	7263	7-Tooth	10-Tooth
10733	10058	9579	13-Tooth	14-Tooth
12231	11570	11019	15-Tooth	14-Tooth
13412	12687	12083	7-Tooth	6-Tooth
15012	14200	13524	13-Tooth	10-Tooth
17374	16436	15652	15-Tooth	10-Tooth
24880	23535	22414	13-Tooth	6-Tooth
28980	27413	26108	15-Tooth	6-Tooth

The above table is approximate and is subject to variations in tire sizes and grading of the seed.



be careful.....
avoid accidents

Thank you so much for reading.
Please click the “Buy Now!”
button below to download the
complete manual.



After you pay.

You can download the most
perfect and complete manual in
the world immediately.

Our support email:

ebooklibonline@outlook.com