

25 3-POINT HITCH SPRAYER



JOHN DEERE

OPERATORS MANUAL

25 3-POINT HITCH SPRAYER

OMB25280 J5 English

OMB25280 J5

LITHO IN THE U.S.A.
ENGLISH



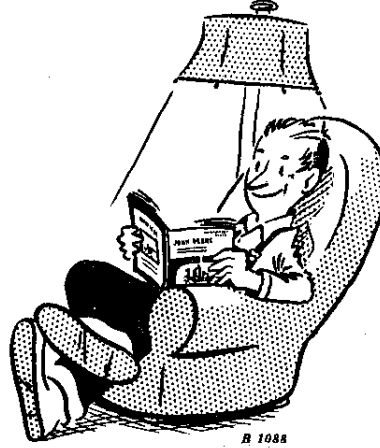
TO THE PURCHASER

Your new John Deere Sprayer is efficient and dependable. It will give long and efficient service if given proper care and operation.

This operator's manual is provided to furnish information on the proper operation, adjustment, and maintenance of your new sprayer.

When in need of parts, see your John Deere dealer. He will furnish genuine John Deere Parts and prompt and efficient service in the field or in the shop.

Right-hand and left-hand reference is determined by standing at the rear of the sprayer and facing the direction of travel.



Study this manual carefully. Keep it handy, in a safe place, for future reference.

JOHN DEERE 25 3-POINT HITCH SPRAYER	
	Date Purchased
Optional Equipment	
TANK	
100 Gallon	<input type="checkbox"/>
150 Gallon	<input type="checkbox"/>
BOOMS	
6-Row	<input type="checkbox"/>
8-Row	<input type="checkbox"/>
PTO PUMP	
8-Roller Ni-Resist	<input type="checkbox"/>
6-Roller Ni-Resist	<input type="checkbox"/>
6-Roller Grey Iron	<input type="checkbox"/>
Piston Pump	<input type="checkbox"/>
HAND GUN	
25-Foot Hose	<input type="checkbox"/>
50-Foot Hose	<input type="checkbox"/>
High Pressure Hand Gun	<input type="checkbox"/>
BOOM EXTENSION NOZZLES	
WIDE-SPRAY JET	<input type="checkbox"/>
ROW-CROP DROPS	
10 Inches Long	<input type="checkbox"/>
18 Inches Long	<input type="checkbox"/>
30 Inches Long	<input type="checkbox"/>

(To be filled in by purchaser)

CONTENTS

SPECIFICATIONS	2-3
IDENTIFICATION VIEW	3
OPERATION	4-32
Preparing the Tractor	4
Attaching Sprayer to Tractor	5-6
Leveling Sprayer	6
Detaching Sprayer from Tractor	6
Filling the Tank	7
Sprayer for Boom Operation	8-15
Sprayer for Pre-Emergence Operation	16-21
Converting Boom Sprayer to Pre-Emergence Sprayer	22
Converting Pre-Emergence Sprayer to Boom Operation	22
Transporting	22-23
PTO Pump	24-25
Nozzle Check Valves	26
Row-Crop Drops - Boom Sprayer	26
Boom Extension Nozzles - Boom Sprayer	26-27
Wide-Spray Jet and Controls	28-29
Hand Gun	30-31
Safety Suggestions	32
LUBRICATION	33
CLEANING SPRAYER	34
SERVICE	35-46
Pump Quick Check Service Chart	35
Roller Pump	36-39
Piston Pump	40-44
Pump Surge Chamber	44
Pressure Surge Dampener	45
Strainer	45
Pressure Regulator	45
Nozzles	46
ASSEMBLY	47-55

SPECIFICATIONS

TYPE

The 25 Sprayer is a 3-point hitch sprayer.

It can be used, less booms, with a 493, 493A, 494, 494A, 495, 495A, 694, 694A, 694AN, 695, 695A, or 894A Planter; 184, 186 or 186W Fertilizer Unit for pre-emergence spraying.

TANK

Regular - 100-gallon translucent fiber glass.

Optional - 150-gallon translucent fiber glass.

BOOMS

Regular - 6-row booms (21 feet, 8 inch) to cover six 40-inch rows.

Optional - 8-row booms (28 feet, 4 inch) to cover eight 40-inch rows.

Booms are made of square tubing. Nylon nozzles are clamped to the booms. Rubber hoses are connected to the nozzles.

The nozzle clamps are adjustable for row widths of 24 to 40 inches. Spacing between nozzles can be adjusted from 12 to 20 inches. Booms are made in three sections with the center section stationary and the outer sections mounted on four-way hinges.

PTO PUMP

Regular - Six-roller grey iron pump.

Optional - Six- or eight-roller ni-resist pump, or piston pump.

BOOM CONTROL

The boom control is a two-position selector valve. Either half of the total boom coverage may be operated independently of the other half.

WIDE-SPRAY JET--ATTACHMENT

A wide-spray jet is available as optional equipment in lieu of the booms and boom control. It is used for broadcast spraying grains, pastures, etc.

HAND GUN--ATTACHMENT

A light, regular, or heavy duty hand gun and controls may be ordered in lieu of the booms and boom controls.

Hand guns may also be used in conjunction with or independently of the boom type or wide-spray jet type sprayers. Each hand gun is available with either a 25-foot or a 50-foot hose.

High pressure hoses are available.

The hand gun may be used for spraying crops, animals, fence rows, etc.

HIGH CLEARANCE BOOM FRAME--ATTACHMENT

The high clearance boom frame provides additional crop clearance where required.

NOZZLE TIPS

Nozzle tips are made of brass or stainless steel. B11875B brass nozzle tip is regular equipment. All other nozzle tips are optional equipment.

ROW-CROP DROPS — ATTACHMENT

Row-crop drops (10-, 18-, or 30-inch long) are available for the six- or eight-row booms. Each row-crop drop has two nozzles which can be turned up to spray the underside of the leaves, or down to spray the ground between the rows.

BOOM EXTENSION NOZZLES — ATTACHMENT

These nozzles are used as boom extensions to expand the over-all width of boom coverage approximately 7 feet on each side of the regular spray pattern.

OVER-ALL TRANSPORT DIMENSIONS WITH BOOMS

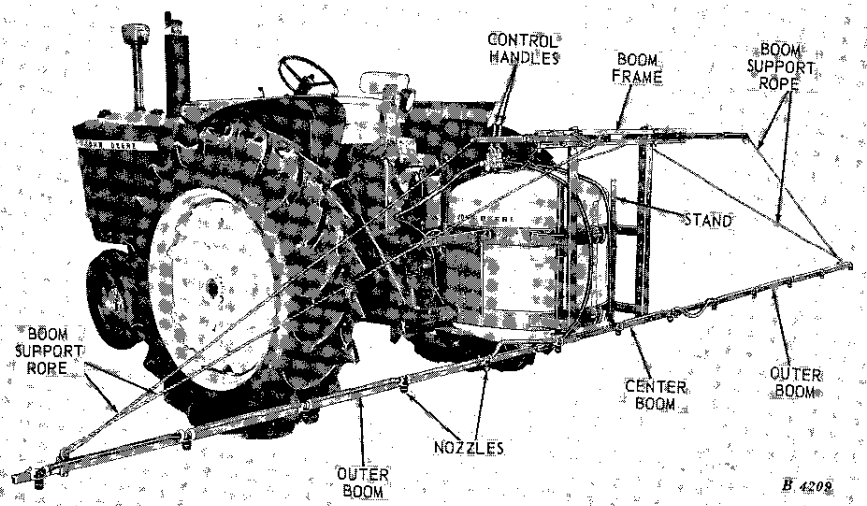
Transport Width: Approximately 7 feet.

Transport Height with Booms Vertical:

6-Row Boom: 13 feet 8 inches

8-Row Boom: 17 feet

(Specifications and design subject to change without notice.)



25 Sprayer with Six-Row Booms in Working Position

Thank you so much for reading.
Please click the “Buy Now!”
button below to download the
complete manual.



After you pay.

You can download the most
perfect and complete manual in
the world immediately.

Our support email:

ebooklibonline@outlook.com