



18 INTEGRAL PLANTER HITCH



JOHN DEERE

OPERATORS MANUAL 18 INTEGRAL PLANTER HITCH

OMB25403 D8 English

OMB25403 D8

LITHO IN THE U.S.A.
ENGLISH



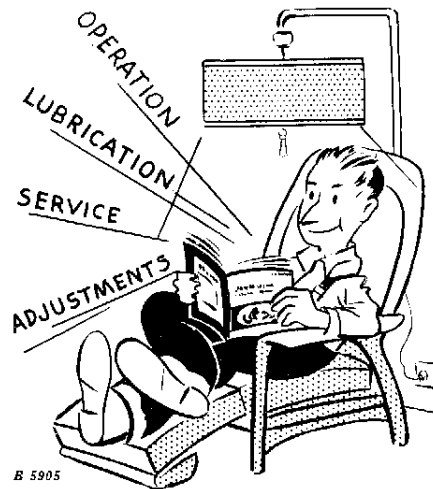
To the purchaser

Your new hitch is sturdy and dependable. It will give long and efficient service if given proper care and operation.

This operator's manual is provided to furnish information on the proper operation, adjustment, and lubrication of the hitch only. For similar information on the planter, refer to operator's manual for that machine.

When in need of parts see your John Deere Dealer. He will furnish genuine John Deere Parts and prompt and efficient service in the field or in the shop.

Right-hand and left-hand reference is determined by standing at the rear of the machine and facing in the direction of travel.



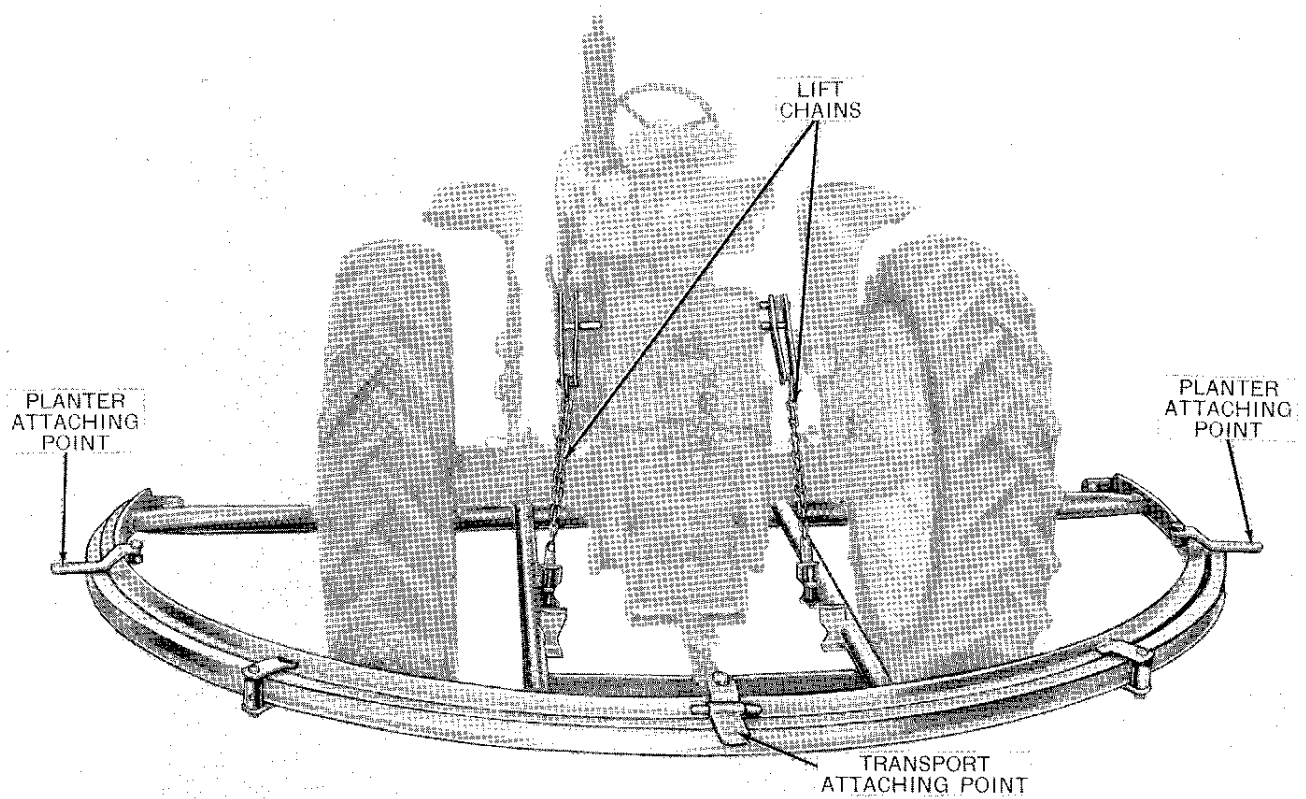
Study this manual carefully. Keep it handy, in a safe place, for future reference.

Information concerning the warranty on this equipment will be found on the inside back cover of this manual and in your copy of the delivery receipt which you should have received from your dealer when the equipment was delivered to you.

Contents

	Page
IDENTIFICATION VIEW	1
DESCRIPTION	1
OPERATION	2-10
Preparing the Tractor	2-3
Attaching Hitch to Tractor	4-5
Guide Chain	5
Transporting Planters	6-8
Hitch Planters for Planting	8-10
Disconnecting Hitch and Planters from Tractor	10
SAFETY SUGGESTIONS	10
LUBRICATION	11
ASSEMBLY	12-16

Description



B 1280

John Deere 18 Hitch

The 18 Hitch is designed for mounting on a 730, 4010 or 4020 Series Tractor. Two 493A or 4493 Cotton and Corn Planters or two 494, 494A, 495, or 495A Corn Planters set for 40-inch row widths can be attached to it.

The tractor must be equipped with a rear rockshaft and two remote hydraulic cylinders.

On a 730 Series Tractor two SD184R 30-degree hose couplings must be installed in each remote hydraulic cylinder and one AR20737R

breakaway coupling must be used for the second remote hydraulic cylinder.

Guide chains are regular equipment with the hitch and permit the operator to use the markers furnished with the planters.

The 8-row markers are available as special equipment. The guide chains are not used with the 8-row markers. Markers lift automatically but must be tripped manually.

Operation

Preparing the tractor

Rear wheel tread

Set the tractor wheels 66 inches center to center of tread and an equal distance from center of tractor.

Selector lever—4010 or 4020 tractor

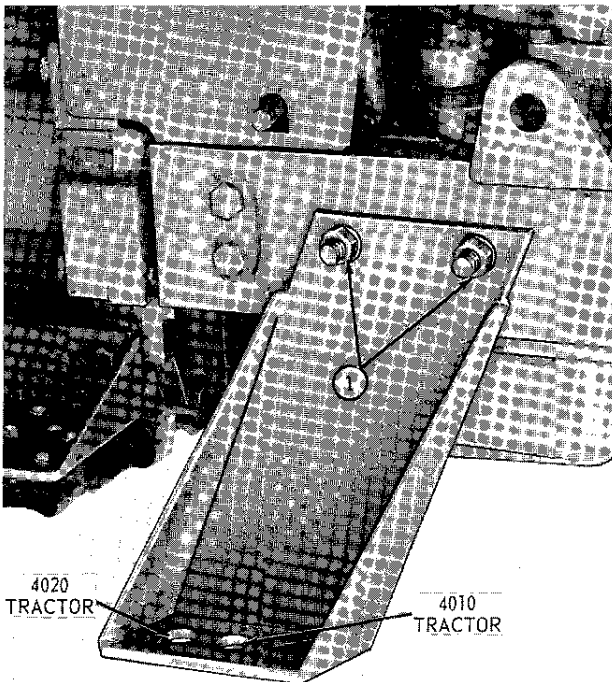
Place the selector lever in the "D" position. See your tractor operator's manual.

Breakaway coupling—730 tractor

Install the AR20737R breakaway coupling for the second remote hydraulic cylinder on the 730 tractor.

Tractor mounting plates

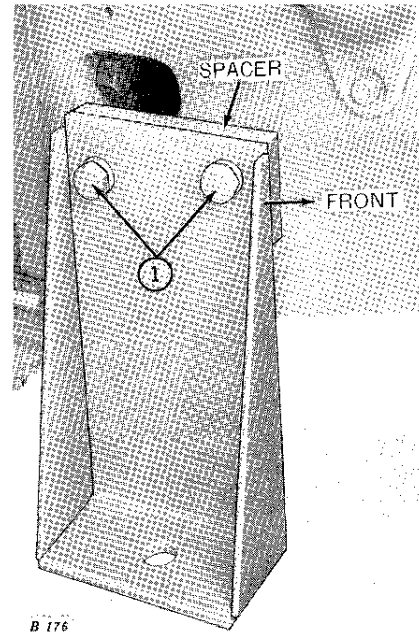
4010 or 4020 tractor



B 3124

1. Attach the right-hand and left-hand tractor mounting plates to the tractor frame. The right-hand one is shown.

730 tractor

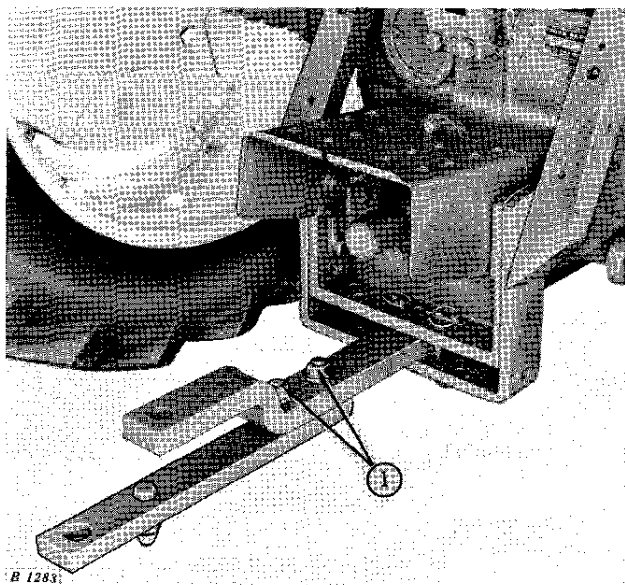


1. Attach the right- and left-hand tractor mounting plates and the spacers to the tractor frame. The highest hole in each tractor mounting plate must be to the front of the tractor.

NOTE: The spacers are not used when the tractor is equipped with a front rockshaft.

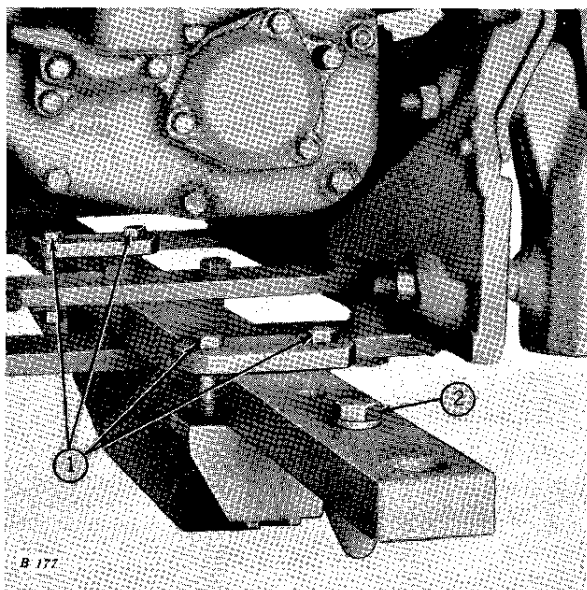
Drawbar

4010 or 4020 tractor



1. Turn the drawbar so the offset is up. With the drawbar in the extended position, bolt the drawbar extension to the tractor drawbar.

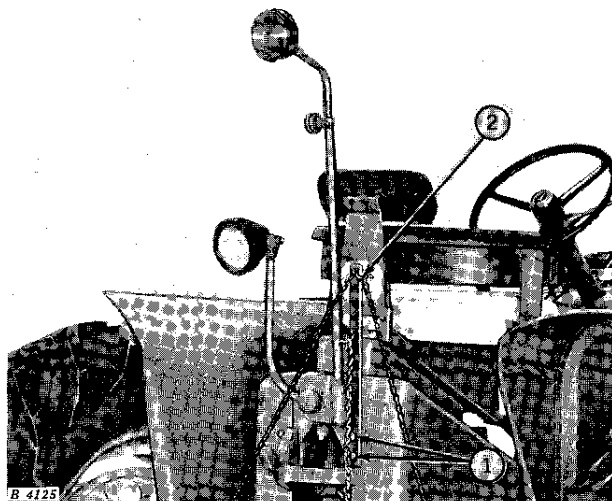
730 tractor



1. With the tractor drawbar in the extended position, attach the reinforcing plate to the tractor drawbar. Center the reinforcing plate with the tractor drawbar slide.

2. Attach the hitch guide to the tractor drawbar.

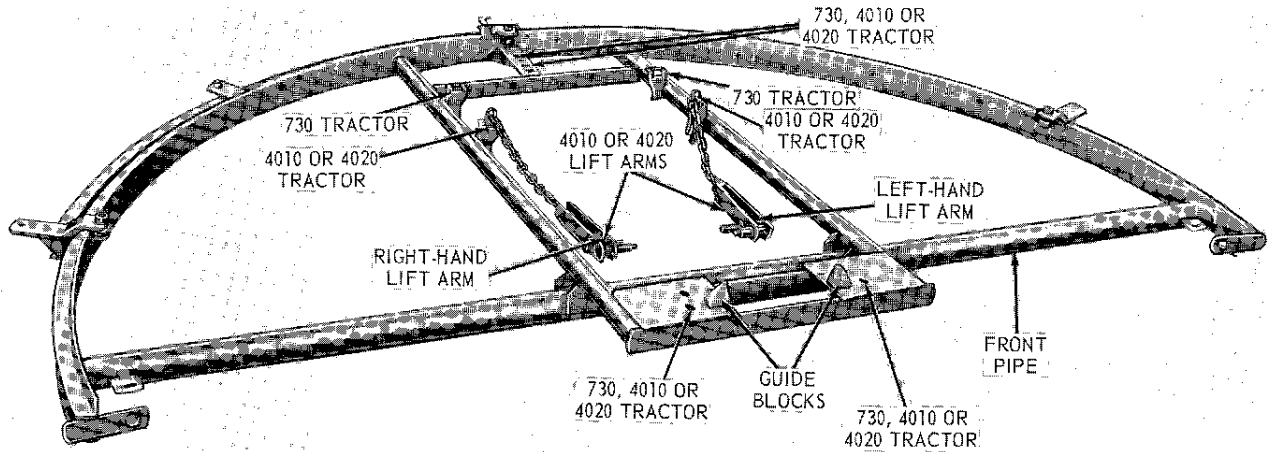
Marker control chain standard—
4010 or 4020 tractor



1. Remove the two bolts from the tractor and install the marker control chain standard with the bolts provided.

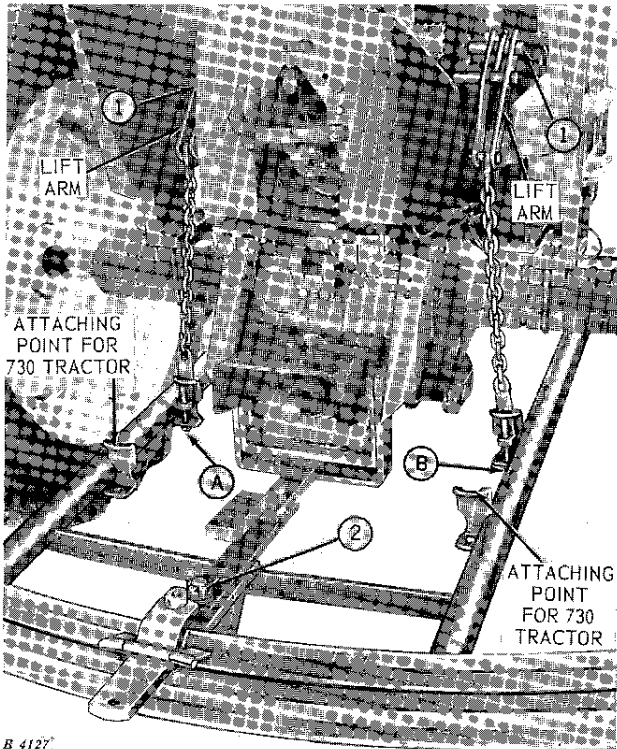
2. Attach marker control chain.

Attaching hitch to tractor



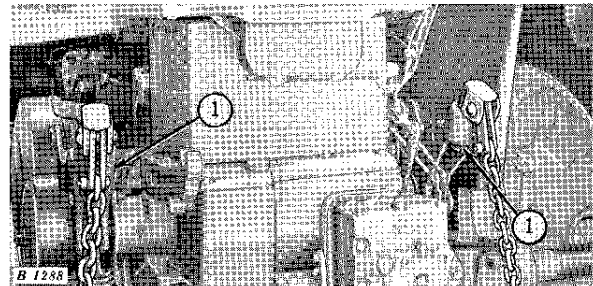
B 4726

Lay the hitch on the ground as illustrated above. Back the tractor rear wheels over the front pipe and center the tractor. Position the guide blocks as illustrated.



B 4127

John Deere 4010 Tractor



B 1288

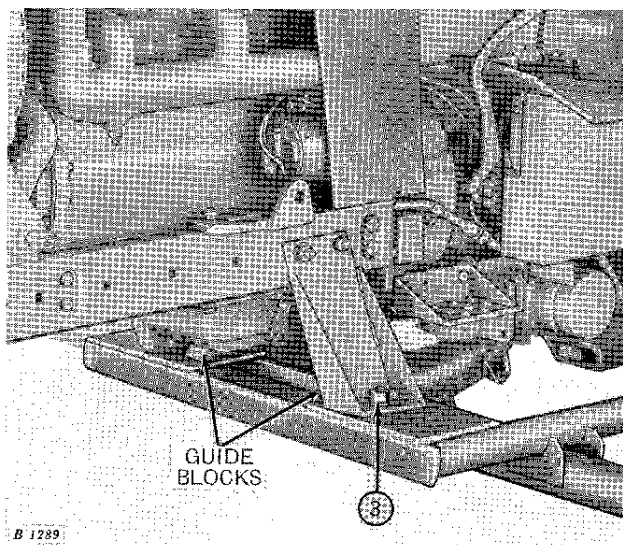
John Deere 730 Tractor

On the 730 tractor place the chain attaching plug in the rockshaft lift arms and lock in position with pins.

Raise the rockshaft lift arms to the highest position. If the hitch does not center with the drawbar, lower the rockshaft lift arms until the hitch rests on the ground. Tighten the left-hand chain at "A" to move the hitch to the left or tighten the right-hand chain at "B," to move the hitch to the right. If the front of the hitch does not raise up to the tractor mounting plates, lower the hitch and tighten the chains evenly until the hitch can be bolted to the tractor mounting plates.

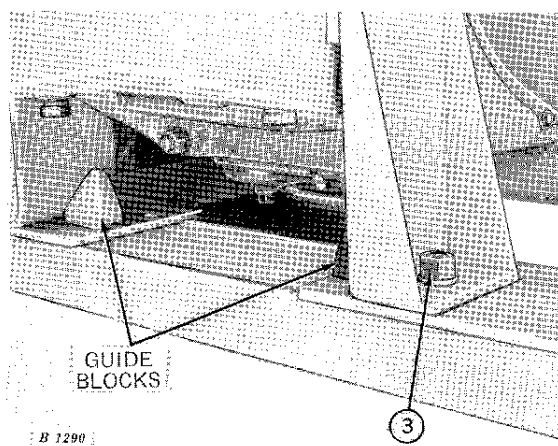
1. On the 4010 or 4020 tractor, attach the lift links to the tractor rockshaft. Lift arms are right and left. Install as shown.

2. Bolt the hitch to the tractor drawbar.



John Deere 4010 or 4020 Tractor

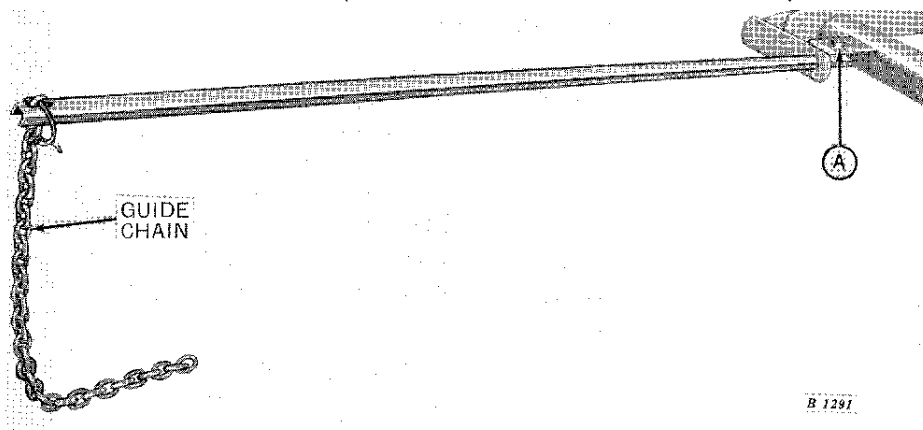
3. Bolt the hitch to the tractor mounting plates. Slide the guide blocks out against the tractor mounting plates and tighten.



John Deere 730 Tractor

CAUTION: Do not move the rockshaft control lever. Keep the rockshaft lift arms in the highest position to maintain tight lift chains.

Guide chain (not used with 8-row markers)



Loosen bolt "A" and adjust the guide chain to 80 inches from the center of the tractor so that the guide chain will run in the mark made by the planter marker.

Thank you so much for reading.
Please click the “Buy Now!”
button below to download the
complete manual.



After you pay.

You can download the most
perfect and complete manual in
the world immediately.

Our support email:

ebooklibonline@outlook.com