

45W Series 1 Hydraulic Farm Loader

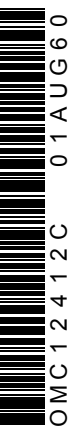


OPERATORS MANUAL 45W Series 1 Hydraulic Farm Loader

OMC12412C (01AUG60) English

OMC12412C (01AUG60)

LITHO IN U.S.A.
ENGLISH



To the purchaser

This manual covers the operation, service, and lubrication instructions for the John Deere 45W Hydraulic Farm Loader, "Series 1."

This Loader has been designed to give many years of satisfactory service. The successful operation and long life of the loader depends of course on proper operation and the care given it. The first recommendation is that you read this manual carefully and follow the instructions. By so doing you may save much time and expense in the field. If additional information is needed, see your John Deere dealer.

Lubrication is very important. Refer to the Lubrication Chart.

When in need of parts see your John Deere dealer. He is equipped to provide genuine John Deere parts and service.

Right-hand and left-hand reference is determined by standing at



the rear of the tractor-loader combination and facing the forward direction of travel.

Before you forget, fill in the information below.

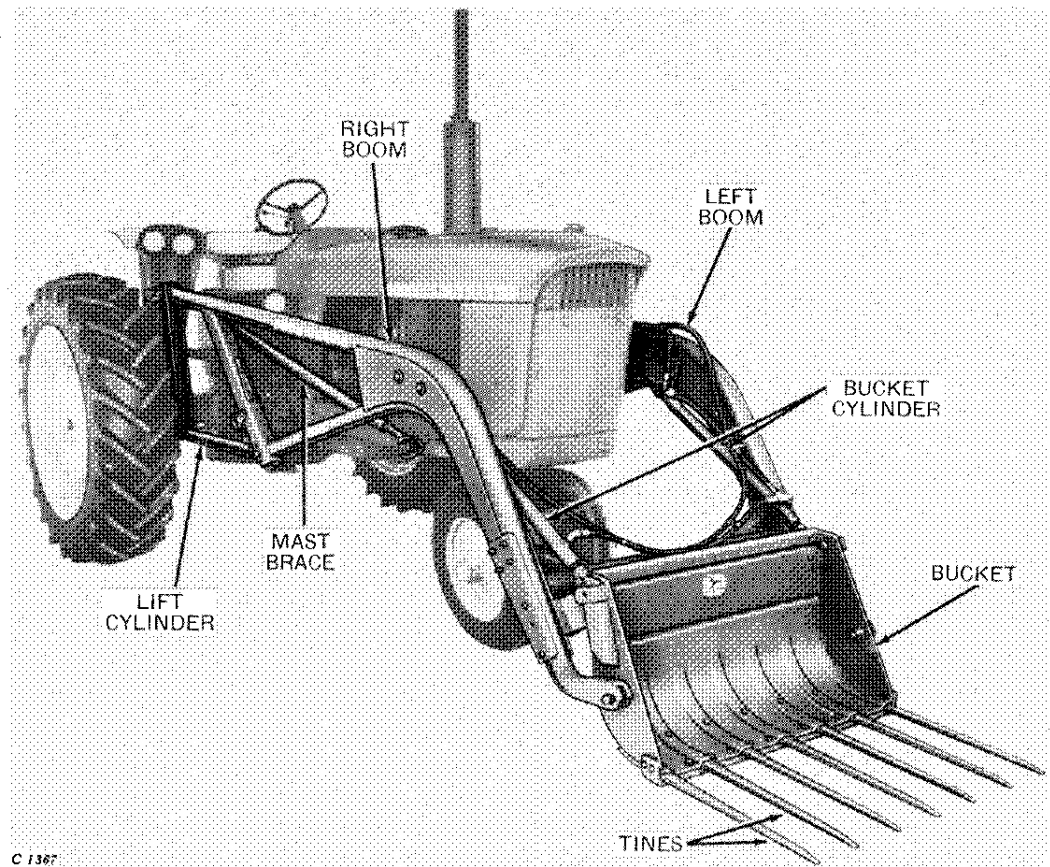
**JOHN DEERE 45W HYDRAULIC FARM LOADER
"Series 1"**

Date Purchased 19.....

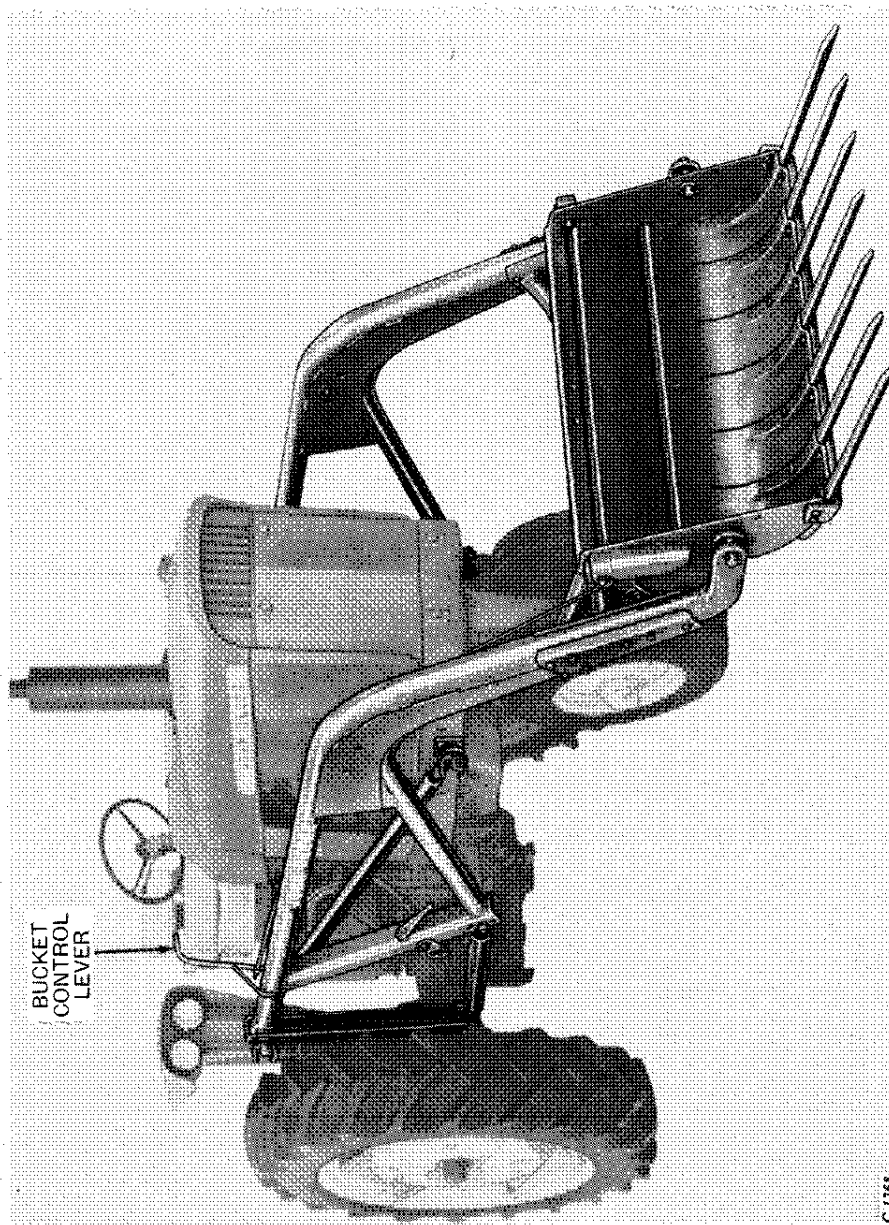
(To be filled in by purchaser)

Contents

	1
	Page
IDENTIFICATION VIEWS.....	2-3
DESCRIPTION.....	4
SPECIFICATIONS.....	4
OPERATION.....	5-12
Tractor Preparation and Operation.....	5
Safety Suggestions.....	5
Loader Operation.....	6-8
Attaching Loader.....	9-11
Detaching Loader.....	12
EXTRA EQUIPMENT.....	12-16
LUBRICATION.....	17
SERVICE.....	18-19



*John Deere 45W Hydraulic Farm Loader with Hydraulically-Controlled Bucket
on John Deere 4010 Tractor*



C 1166

*John Deere 45W Hydraulic Farm Loader with Mechanically-Controlled Bucket
on John Deere 3010 Tractor*

Description

The John Deere 45W Hydraulic Farm Loader has been designed for use with John Deere 3010, 4010, 530, 630, 730, 520, 620, 720, 50, 60, 70, A, B, and G Row-Crop Tractors with single or double front wheels, or with adjustable front axles. This manual applies only to the operation of the loader with 3010 and 4010 Tractors.

The loader may be equipped with either a mechanically-controlled bucket, or a hydraulically-controlled bucket.

The power for operating the loader is derived from the tractor

hydraulic system.

Raising or lowering the boom, as well as operating a hydraulically-controlled bucket, is accomplished by operating the tractor remote cylinder operating levers.

The loader with a mechanically-controlled bucket will work on 3010 and 4010 Tractors with either one or two remote cylinder operating valves.

The loader with hydraulically-controlled bucket must be used with tractors equipped with two remote cylinder operating valves.

Specifications

Weight (Gross)	700 pounds
Over-All Length on John Deere 3010 Tractor	193 inches
Rated Breakaway at Ground Level	3040 pounds
Height of Lift to Heel of Bucket	111-3/4 inches

The following optional equipment is available for use with the 45W Loader:

- Bottom sheet extension
- Utility bucket
- Dirt bucket
- Scraper blade
- Crane
- Bucket return spring attachment
- Spill sheet attachment

(Specifications and design subject to change without notice)

Operation

Tractor Preparation and Operation

Wheel Weights and Spacing

Front wheels

The loader may be operated on Row-Crop Tractors with either single or double front wheels, or with adjustable front axles. In either case use heavy-duty front tires.

If used on tractors with double wheels, or adjustable axles, set the wheels for widest front wheel tread. This eliminates the accumulation of mud between the double wheels, and also provides better stability.

Increased tire inflation in front tires is necessary for loader operation. Refer to your tractor operator's manual for correct inflation pressures.

Front end weights should not be used.

Rear Wheels

Use the widest rear wheel tread setting possible.

When barn doors or gates limit the rear wheel tread, extra precaution must be taken when operating loader due to decreased stability.

Sufficient ballast should be added to rear wheels to secure the best operation possible. See your tractor operator's manual for ballast and tire inflation instructions.

Cold Weather Starting

To insure smooth operation in cold weather, raise and lower the loader several times to warm the oil in the hydraulic system. A load in the bucket will speed up the warm-up operation.

Checking oil level

Check the oil level in the tractor hydraulic system daily. Refer to your tractor operator's manual for instructions. Keep oil supply up to proper level. The oil level should be checked with bucket on the ground and tractor engine stopped. If oil level is low, add oil as instructed in the tractor operator's manual.

Engine Speed

When operating the loader under average conditions, drive the tractor at reduced throttle in second gear.

Safety Suggestions



Never operate loader except from tractor seat.

Carry loads low.

Operate at slow ground speeds, especially on irregular ground.

Never operate a loader with frayed hoses or leaky fittings. A leak in the hydraulic system retards the efficient operation of the loader and may cause an accident.

Under no circumstances lift a person in the bucket.

Do not leave tractor unattended with bucket in raised position.

Never operate loader without the minimum recommended amount of rear wheel weights.

Refer to your tractor operator's manual for additional safety suggestions.

Thank you so much for reading.
Please click the “Buy Now!”
button below to download the
complete manual.



After you pay.

You can download the most
perfect and complete manual in
the world immediately.

Our support email:

ebooklibonline@outlook.com