

**35 SERIES 1 HYDRAULIC  
FARM LOADER  
FOR 3010 ROW-CROP  
AND ROW-CROP  
UTILITY TRACTORS**



**JOHN DEERE**

**OPERATORS MANUAL**

35 SERIES 1 HYDRAULIC FARM LOADER FOR  
3010 ROW-CROP AND ROW-CROP UTILITY  
TRACTORS

OMC12535 (01SEP60) English

**OMC12535 (01SEP60)**

LITHO IN THE U.S.A.  
ENGLISH



## To the purchaser

This manual covers the operation, service, and lubrication instructions for the John Deere 35 Hydraulic Farm Loader, "Series 1," for 3010 Row-Crop and Row-Crop Utility Tractors.

This Loader has been designed to give many years of satisfactory service. The successful operation and long life of the loader depends of course on proper operation and the care given it. The first recommendation is that you read this manual carefully and follow the instructions. By so doing you may save much time and expense in the field. If additional information is needed, see your John Deere dealer.

Lubrication is very important. Refer to the Lubrication Chart.

When in need of parts see your John Deere dealer. He is equipped to provide genuine John Deere parts and service.

Right-hand and left-hand reference is determined by standing at

the rear of the tractor-loader combination and facing the forward direction of travel.

Before you forget, fill in the information below.



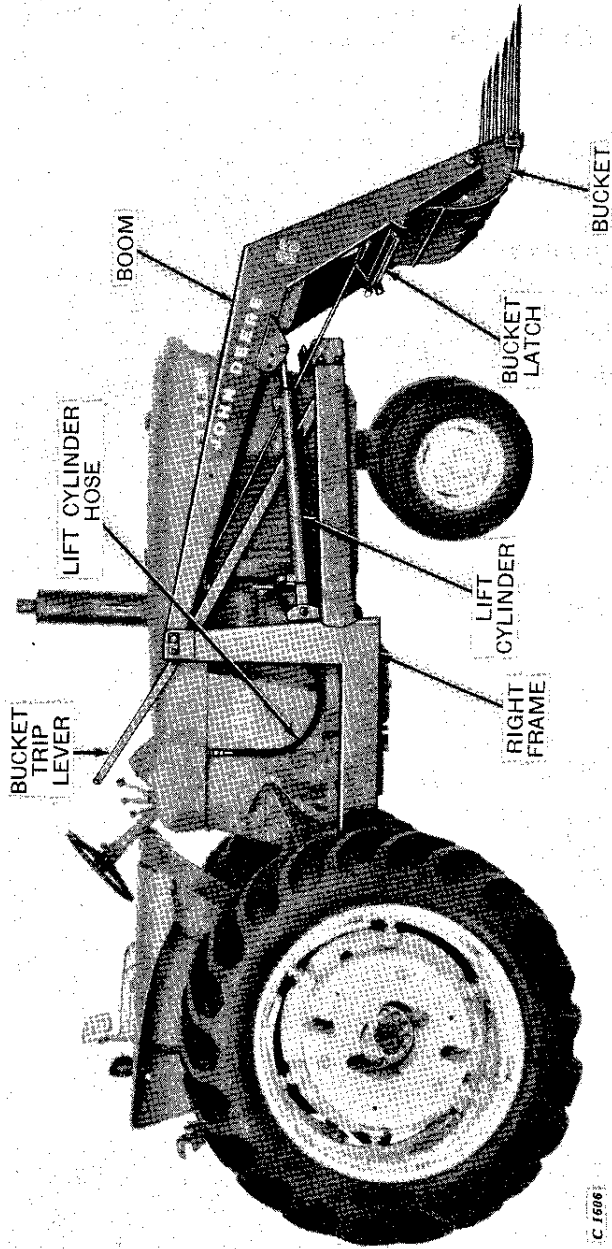
### JOHN DEERE 35 HYDRAULIC FARM LOADER "Series 1"

Date Purchased ..... 19 .....

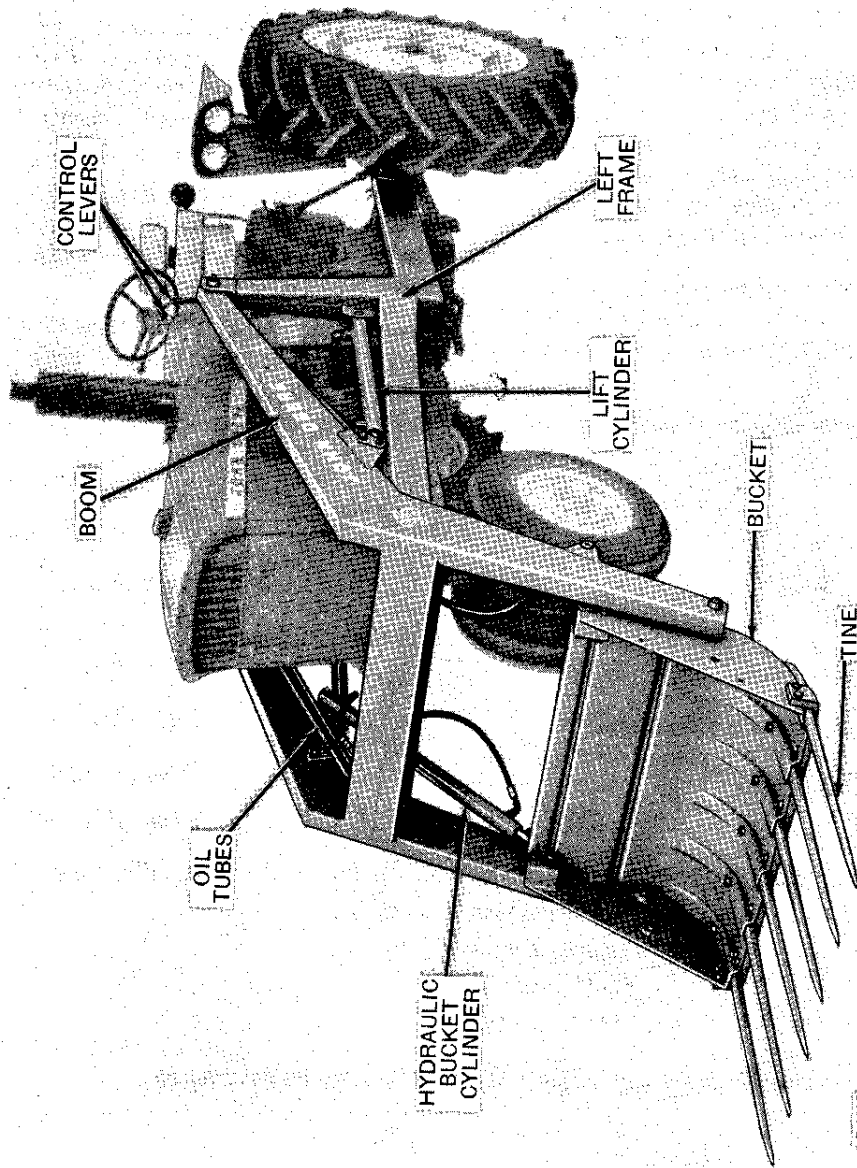
*(To be filled in by purchaser)*

# Contents

	Page
IDENTIFICATION VIEWS.....	2-3
DESCRIPTION.....	4
SPECIFICATIONS.....	4
OPERATION.....	5-12
Tractor Preparation and Operation.....	5
Safety Suggestions.....	5
Loader Operation.....	6-8
Attaching Loader.....	9-11
Detaching Loader.....	11-12
EXTRA EQUIPMENT.....	13-14
LUBRICATION.....	15
SERVICE.....	16-17



John Deere 35 Farm Loader with Mechanically-Controlled Bucket  
on John Deere 3010 Tractor



John Deere 35 Farm Loader with Hydraulically-Controlled Bucket  
on John Deere 3010 Tractor

Thank you so much for reading.  
Please click the “Buy Now!”  
button below to download the  
complete manual.



After you pay.

You can download the most  
perfect and complete manual in  
the world immediately.

Our support email:

[ebooklibonline@outlook.com](mailto:ebooklibonline@outlook.com)