

80 Rear-Mounted Blade Series 2



OPERATORS MANUAL 80 Rear-Mounted Blade Series 2

OMC13980 (01OCT62) English

OMC13980 (01OCT62)

LITHO IN U.S.A.
ENGLISH



TO THE PURCHASER

This manual contains instructions for operating, lubricating, and assembling the 80 Rear-Mounted Blade. These instructions will help you obtain long life and satisfactory service from your blade. Keep this manual in a convenient place so you can refer to it quickly and easily.

The 80 Rear-Mounted Blade is a valuable tool for preparing and maintaining small ditches, clearing driveways of snow and ice, and for general barnyard maintenance work. It is a convenient machine for performing light backfilling, leveling, and finishing jobs.

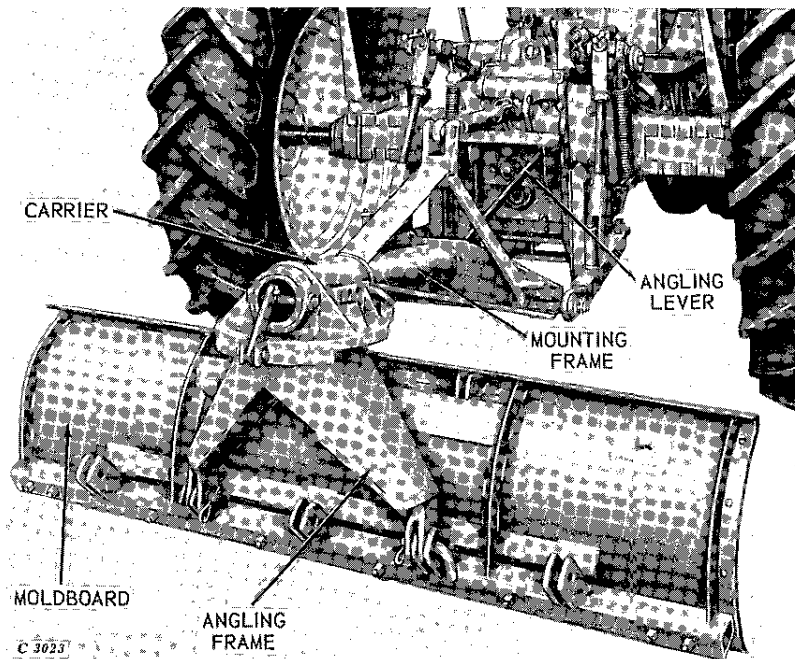
The blade may be used in the straight position or angled 16-1/2 or 30 degrees to the right or left. It may be reversed for backfilling. The blade tilts vertically 5, 15, or 30 degrees for ditching. The angle of pitch (forward or rearward tilt) may be adjusted to four positions. The blade may be offset 11-1/2 inches to right or left.

When in need of new parts or service, consult your John Deere dealer. He is equipped to provide genuine John Deere replacement parts. His service men have the training and experience to service your equipment efficiently.

CONTENTS

	Page
SPECIFICATIONS	1
OPERATION	2-7
Preparing Wheel-Type Tractors	2
Preparing Crawler Tractors	3
Attaching Blade to Tractor	3
Blade Operating Controls	4
Angling the Blade	4
Changing the Blade Pitch Angle	4
Reversing the Blade	4
Tilting the Blade	5
Offsetting the Blade	5
Leveling and Grading	6
Backfilling	6
Side Casting	6
Ditching	6
Extra Equipment	7
Safety Suggestions	7
LUBRICATION	7
ASSEMBLY	8-9
CONVERTING HYDRAULIC SYSTEM ON CRAWLER TRACTORS TO SINGLE ACTION	10-12

<p>JOHN DEERE 80 REAR-MOUNTED BLADE—SERIES 2</p> <p>Date Purchased, 19</p> <p style="text-align: center;"><i>(To be filled in by purchaser)</i></p>
--



John Deere 80 Rear-Mounted Blade on John Deere 2010 Tractor

SPECIFICATIONS

BLADE LENGTH	6 feet
BLADE HEIGHT	18-1/2 inches
BLADE POSITIONS	Straight, Forward, or Reversed Angled Right or Left, 16-1/2 or 30 degrees Centered, or Offset to right or left 11-1/2 inches Tilted Right or Left 5, 15, or 30 degrees Pitched to Front or Rear in any one of 4 positions
CUTTING EDGE	1/2-inch hardened steel.
WEIGHT	443 pounds
SKID SHOES (Extra)	Recommended for most jobs for more uniform work.
END CUTTING EDGE (Extra)	An attachment for ditching or bank operation.

(Specifications and design subject to change without notice)

NOTE: When the term "right" or "left" is used, it means from a position behind the blade facing the front.

OPERATION

PREPARING WHEEL-TYPE TRACTORS

For complete tractor operating instructions, refer to your tractor operator's manual.

TIRE INFLATION

Inflate the tractor tires as shown in the tractor operator's manual for a light rear-mounted implement.

FRONT END WEIGHTING

Under normal operating conditions front end weighting is necessary only on the 430, 420, and 40 Standard Tractors. Use one front end weight on these tractors.

REAR WHEEL WEIGHTING

In those conditions where it becomes necessary to add weight to the rear wheels for better traction, see your tractor operator's manual.

TRACTOR DRAWBAR

Set the tractor drawbar in the short high position.

SWAY BLOCKS AND SWAY BRACE

On tractors equipped with sway blocks, position sway blocks to eliminate all side sway while in operating position.

On wheel-type tractors equipped with sway chains, remove chains from hitch and install sway brace. See "Sway Brace" on page 3.

3-POINT HITCH AND HYDRAULIC SYSTEM

The 3-point hitch provides a fast easy means of attaching the blade to the tractor. See your tractor oper-

ator's manual for complete explanation of the hydraulic system.

Lift Link Connection

On tractors equipped with more than one attaching hole in the rockshaft lift arms, attach the lift links to the outer holes in the lift arms.

Link Lengths

Set the length of the left-hand lift link to the nominal setting recommended in the tractor operator's manual.

The right-hand lift link provides adjustment for leveling the blade.

Parallel Lift Arm Operation

On tractors equipped with dual hydraulic system, adjust the hydraulic system for parallel lift arm operation. See your tractor operator's manual.

Load and Depth Control

On tractors equipped with an adjustable load control yoke, set the load control lockout screw so the system will operate. Set the center link in the least sensitive position in the yoke. If special working conditions (such as ditching) require more sensitivity, move the center link to a more sensitive position in the yoke. In some conditions, such as finish grading, set the lockout screw so the system does not operate.

On tractors equipped with a Load and Depth Control Selector Lever, set the lever in the "LD" position for initial leveling of rough terrain. Use "D" position for finish grading.

PREPARING CRAWLER TRACTORS

TRACTOR DRAWBAR

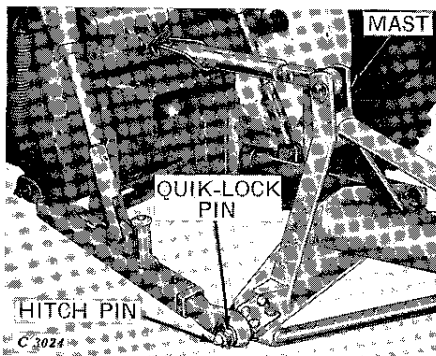
Set the tractor drawbar in the short high position.

3-POINT HITCH AND HYDRAULIC SYSTEM

Convert the hydraulic valve to single-action operation as shown on pages 10 through 12.

ATTACHING BLADE TO TRACTOR

The 80 Blade has a category 1 hitch. When used with tractors equipped with a category 2 hitch, use adapter bushings on the hitch pins and a mast ball on the mast.



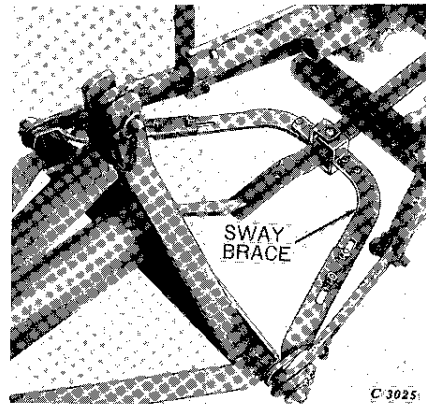
If tractor is equipped with a Load and Depth Control selector lever, place selector lever in the "D" position for easier attaching.

Attach the left draft link to the left hitch pin on the blade. Then attach the right draft link. Secure with Quik-Lock pins.

Connect the center link to the blade mast.

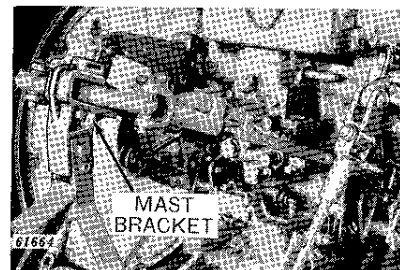
After the blade is attached, adjust the right lift link and the center link so blade is level. If tractor is equipped with a Load and Depth Control selector lever, place lever in "LD" position for operating.

SWAY BRACE



A sway brace (SGY30WC) must be used to stabilize the blade when used with John Deere 1010, 330, 430, 320, 420, and 40 Series Wheel-Type Tractors and tractors equipped with an 800 Series Hitch.

MAST BRACKET



A mast bracket (J20090C) must be used with tractors equipped with an 800 Series Hitch.

Thank you so much for reading.
Please click the “Buy Now!”
button below to download the
complete manual.



After you pay.

You can download the most
perfect and complete manual in
the world immediately.

Our support email:

ebooklibonline@outlook.com