

**NO. 692 AND NO. 694 SERIES
BEAN HARVESTER AND NO.
494E PEANUT PULLER FOR NO.
80 AND NO. 4200 CULTIVATORS
USED ON MODEL "40" TRACTOR**



JOHN DEERE

OPERATORS MANUAL

NO. 692 AND NO. 694 SERIES BEAN HARVESTER
AND NO. 94E PEANUT PULLER FOR NO. 480 AND
NO. 4200 CULTIVATORS USED ON MODEL "40"
TRACTOR

OMD35655 (01JUN55) English

OMD35655 (01JUN55)

LITHO IN THE U.S.A.
ENGLISH



TO THE PURCHASER

This manual contains valuable information about your bean harvester. In this manual you will find instructions and helpful suggestions for operating, adjusting, and assembling your new bean harvester.

Keep this manual in a convenient place for quick and easy reference. Use it as a guide whenever questions arise. You have purchased a dependable sturdy tool, but only by proper care and operation can you expect to receive the service and long life designed and built into it.

If you need additional information, or if your harvester requires special servicing, see your John Deere dealer. He has all the facilities required to keep your harvester in A-1 condition. He will be glad to serve you. By giving your harvester proper attention during slack periods it will always be ready for use, without delays, when you need it.

Sometime in the future your harvester may need new parts to replace worn or broken parts. If so, go to your John Deere dealer. He will see that you get high-quality, genuine John Deere parts. When ordering, be sure to give him the correct number and description of your harvester. This information will help him identify the part you need.

Attachment No......

Date of Purchase.....19.....

TABLE OF CONTENTS

	Page
IDENTIFICATION VIEWS.....	2-3
SPECIFICATIONS AND DATA.....	3
OPERATION AND ADJUSTMENTS.....	4-6
General.....	4
Beams and Blades.....	4
Row Spacing.....	4
Windrowing.....	5
No. 10 Boot Vine Turner.....	6
ASSEMBLY.....	7-12
General.....	7
Bundle List.....	7
No. 694 Series Bean Harvesters and No. 94E Peanut Puller....	8-9
No. 692 Series Bean Harvesters.....	10-11
No. 10 Boot Vine Turner.....	12

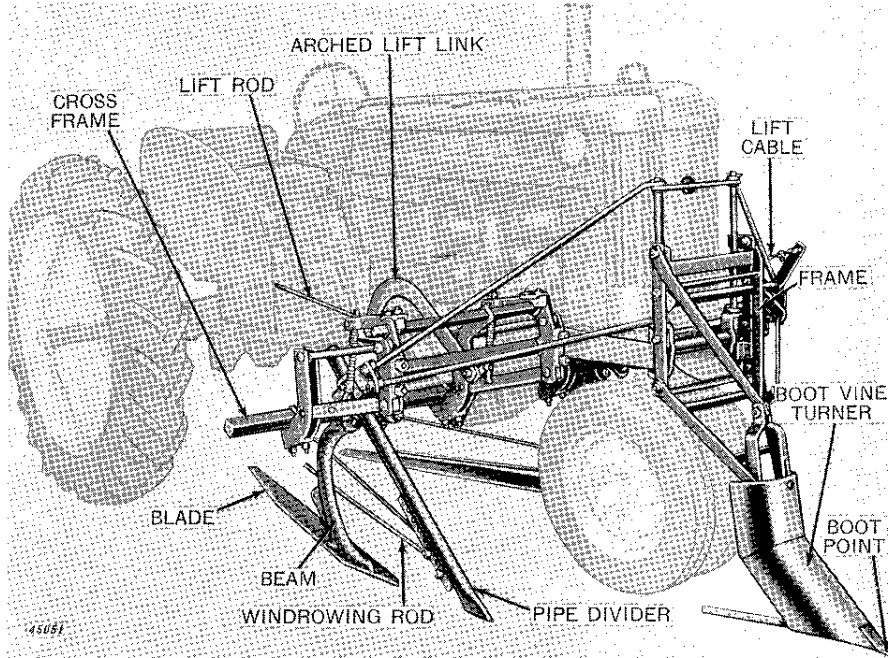


Figure 1—No. 694E Bean Harvester Attachment and No. 10 Boot Vine Turner for No. 4200 Cultivator

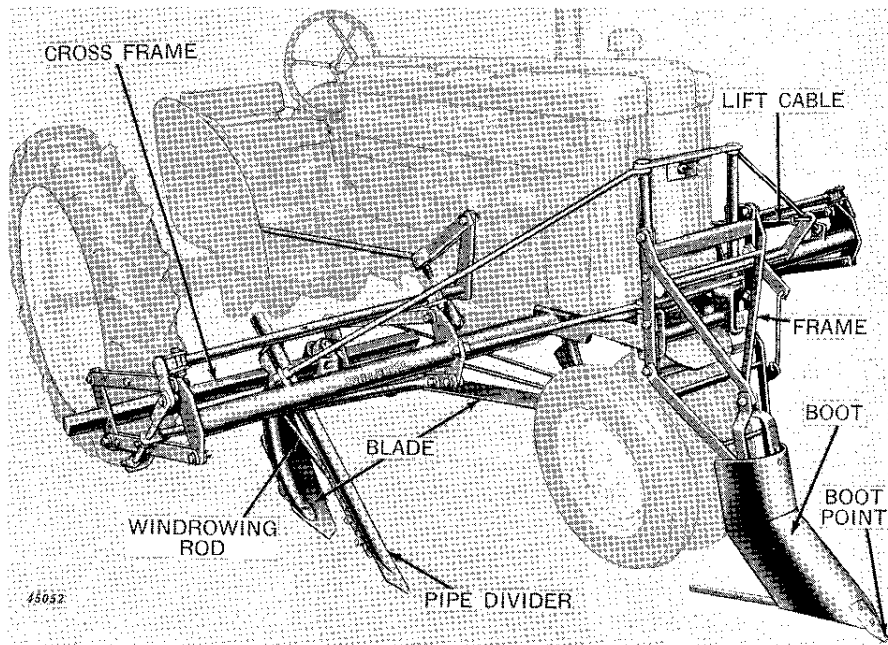


Figure 2—No. 692E Bean Harvester Attachment and No. 10 Boot Vine Turner for No. 480 Cultivator

Buy Now



Our support email:

ebooklibonline@outlook.com