

# 880 HYDROSTATIC DRIVE WINDROWER



## OPERATORS MANUAL 880 HYDROSTATIC DRIVE WINDROWER

OME47726 L0 English

JOHN DEERE OTTUMWA WORKS  
OME47726 L0

LITHO IN THE U.S.A.  
ENGLISH



# TO THE PURCHASER

Your hydrostatic-drive windrower was designed and manufactured to the traditionally high quality standards of all John Deere Farm Equipment. It has been thoroughly inspected and tested, not only at the factory, but also at your dealer's by a trained John Deere serviceman.

The warranty on this windrower appears on your copy of the purchase order which you should have received from your dealer when you purchased the windrower.



This safety alert symbol identifies important safety messages in this manual. When you see this symbol, be alert to the possibility of personal injury and carefully read the message that follows.

Should your windrower require replacement parts, go to your John Deere dealer where you can obtain Genuine John Deere Parts—accept no substitutes. Genuine John Deere Parts fit properly and insure satisfactory service because they are made from the original patterns and from the same materials as used in new machines.

The windrower serial number is located on the center of the right-hand main frame of the power unit.

The draper cutting platform serial number is located on the left-hand stabilizer arm bracket.

The auger cutting platform serial number is located on the left-hand arm channel.

The hay conditioner serial number is located on the left-hand side of the main frame.

The engine serial number is located on the engine block between the fuel pump and distributor.

Record the serial numbers in the spaces provided below.

Windrower . . . . .  
Draper cutting platform . . . . .  
Auger cutting platform . . . . .  
Hay conditioner . . . . .  
Engine . . . . .

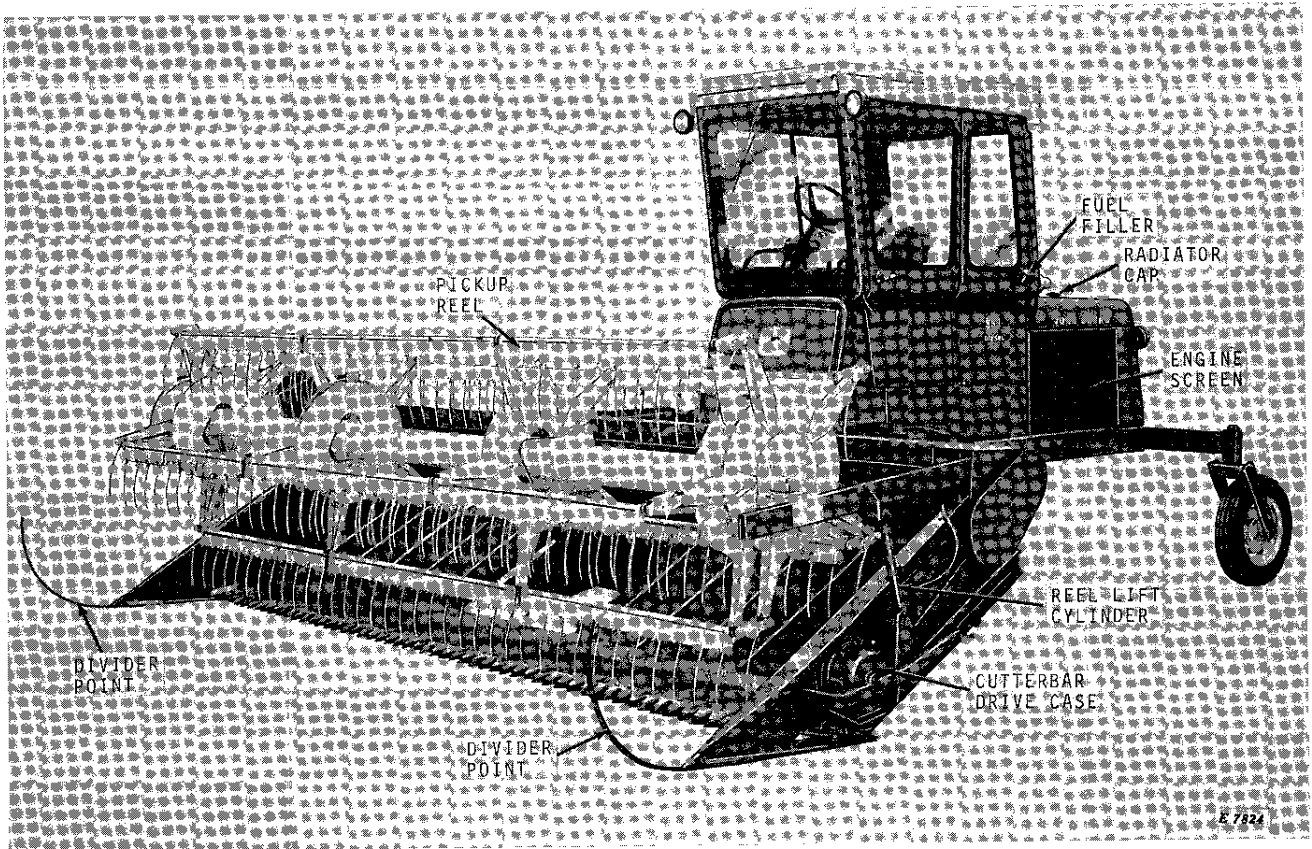
## SERIAL NUMBERS

When ordering parts, always furnish the model and complete serial numbers as given on the serial number plates. By doing so, you will assist your John Deere dealer in giving you prompt, efficient service.

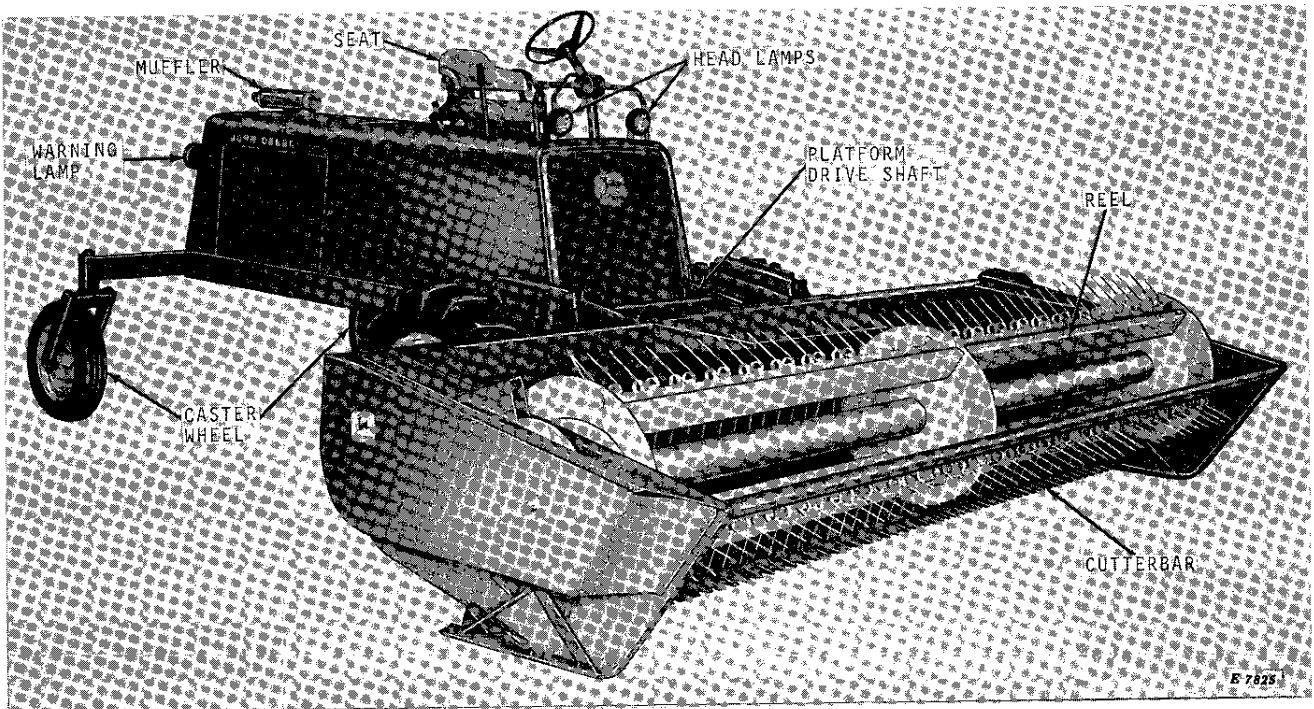
## CONTENTS

Identification views . . . . .	1
Specifications . . . . .	2
Controls and instruments . . . . .	4
Operation . . . . .	7
Fuels and lubricants . . . . .	14
Lubrication and periodic service . . . . .	16
Adjustments and service . . . . .	31
Trouble shooting . . . . .	59
Attachments . . . . .	67
Assembly . . . . .	71
Index . . . . .	85

*NOTE: Right- and left-hand sides referred to in this manual are determined from a position at the rear of the machine facing in the direction of travel.*



John Deere 880 Windrower with Operator's Cab and 14-Foot Draper Platform



John Deere 880 Windrower with 14-Foot Auger Platform

## SPECIFICATIONS

### 880 WINDROWER (TRACTION UNIT):

#### Engine:

John Deere EA-180-G, gasoline ..... 57 hp  
 John Deere EA-202-D, diesel ..... 56 hp

Electrical system ..... 12 volts

Propelling drive ..... Hydrostatic

Hydraulic system ..... 10 U.S. gal.

Fuel tank ..... 40 U.S. gal.

#### Tire sizes:

Drive wheels (standard)  
 (20 psi) ..... 11.2-24  
 Hi-flotation (optional) (14 psi) ..... 18.4-16.1  
 Caster wheels (20 psi) ..... 5.90-15

Overall length (with draper  
 platform) ..... 19 ft. 6 in.

Overall height ..... 91 in.

Overall height with cab ..... 112 in.

Wheel base ..... 120 in.

Tread width (center-to-center) ..... 84 in.

#### Turning radius:

Steering wheel ..... Variable  
 Levers ..... 0 ft.

Ground speed ..... 0-12 mph

Weight (with standard wheels and  
 John Deere EA-180-G  
 Engine) ..... (Approx.) 3838 lbs.

### PLATFORMS (88 DRAPERS AND 188 AUGERS):

Sizes and types ..... 12-ft. and 14-ft. drapers  
 with pickup or bat reel;  
 12-ft. and 14-ft. augers.

#### Cutterbar:

Type drive ..... Enclosed, running in oil  
 Speed ..... 1300 strokes per minute  
 Guards ..... Heavy-duty, double forged steel  
 Knives (chrome):  
 Standard ..... Overserrated  
 Extra ..... Smooth or underserrated  
 Guard angle ..... 9-1/2°

#### Reel:

Speed:  
 Auger ..... 52-64 rpm  
 Auger (special sprocket) ..... 41-74 rpm  
 Draper ..... 39-61 rpm  
 Draper (special sprocket) ..... 33-52 rpm  
 Adjustments (Draper):  
 Vertical ..... 27 in.  
 Horizontal ..... 9 in.

#### Conveyor canvases:

Angle ..... 30°  
 Drive ..... Bevel gear case  
 Speed ..... 710 rpm  
 Canvas tension ..... Spring-loaded

#### Range of cutting height:

Auger ..... -5 in. to 27 in.  
 Draper ..... -5 in. to 30 in.

Distance between canvases ..... 36 in.

#### Weight:

12-Foot Auger ..... (Approx.) 1743 lbs.  
 14-Foot Auger ..... (Approx.) 1888 lbs.  
 12-Foot Draper with  
 pickup reel ..... (Approx.) 1708 lbs.  
 14-Foot Draper with  
 pickup reel ..... (Approx.) 1834 lbs.

### 80 HAY CONDITIONER:

Type of rolls ..... Formed steel fluted

#### Rolls:

Length ..... 38 in.  
 Diameter ..... 7-3/4 in.  
 Speed ..... 688 rpm

Weight ..... (Approx.) 405 lbs.

**ENGINE**

	<b>EA-180-G</b>	<b>EA-202-D</b>
Brake horsepower* .....	57	56
Number of cylinders .....	4	4
Bore and stroke, inches .....	3.86 x 3.86	3.86 x 4.33
Displacement in cubic inches .....	180.0	202.0
Compression ratio .....	7.5 to 1	16.7 to 1
Firing order .....	1-3-4-2	1-3-4-2
Intake valve clearance .....	0.014-inch	0.014-inch
Exhaust valve clearance .....	0.022-inch	0.018-inch
Slow idle .....	800 rpm	800 rpm
Fast idle .....	2680 rpm	2650 rpm
Working speed range .....	2500 rpm	2500 rpm
Type of fuel .....	Gasoline	Diesel
Cooling system .....	14 qts.	14 qts.
Crankcase (including filter) .....	7 qts.	7 qts.
Air cleaner (dry-type)		
Electrical system .....	12-volts (negative ground)	

\* Factory observed at 85°F. and 29.3 inches Hg. at 500 feet above sea level.

*(Specifications and design are subject to change without notice.)*

Thank you so much for reading.  
Please click the “Buy Now!”  
button below to download the  
complete manual.



After you pay.

You can download the most  
perfect and complete manual in  
the world immediately.

Our support email:

[ebooklibonline@outlook.com](mailto:ebooklibonline@outlook.com)