

# 500 ROUND BALER



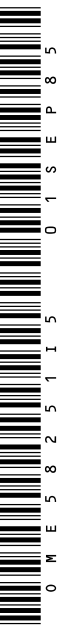
## OPERATORS MANUAL

500  
ROUND BALER

OME58251I5 English

**JOHN DEERE OTTUMWA WORKS**  
**OME58251I5**

LITHO IN THE U.S.A.  
ENGLISH






## To the Purchaser

---

Your new round baler was carefully designed and manufactured to give years of dependable service. To keep it running efficiently, read the instructions in this operator's manual. Each section is clearly identified so you can easily find the information you need—whether it is operation, lubrication, or service. Read the Table of Contents to learn where each section is located. Use the alphabetical index for fast reference.

Like any precision machine your baler will require some attention at regular intervals. Use your manual as a guide to service your machine the right way. For additional information or special servicing not covered in this manual, see your John Deere dealer.

 This safety alert symbol identifies important safety messages in this manual. When you see this symbol, be alert to the possibility of personal injury and carefully read the message that follows.

Your operator's manual contains SI Metric equivalents which follow immediately after the U.S. customary units of measure.

“Right-hand” and “left-hand” sides are determined by facing in the direction the baler will travel when in use.

Record your baler serial number in the space provided on page 34. Your dealer needs this information to give you prompt, efficient service when you order parts. If your baler requires replacement parts, go to your John Deere dealer where you can obtain Genuine John Deere parts—accept no substitutes.

The warranty on this baler appears on your copy of the purchase order which you should have received from your dealer when you purchased the baler.





# Contents

---

	Page
Safety Suggestions .....	2
Identification Views .....	3
Operation .....	4
Storage .....	20
Lubrication .....	21
Service .....	24
Trouble Shooting .....	29
Special Equipment .....	32
Assembly .....	33
Specifications .....	34
Index .....	35



# Safety Suggestions

**!** The safety of the operator was one of the prime considerations in the minds of John Deere engineers when this baler was designed. Shielding, simple adjustments, and other safety features were built into the baler wherever possible.

You can make your farm a safer place to live and work if you observe the safety suggestions given. Study these suggestions carefully and insist that they be followed by those working with you and for you.

All machinery should be operated only by responsible persons who have been delegated to do so.

Before servicing, adjusting, or removing material from the baler, always:

1. Disengage all power,
2. Shut off engine.

Due to the weight and the rolling tendency of round bales, exercise care whenever moving bales.

Stand clear of baler at all times when machine is operating.

Do not attempt to pull hay from pickup when machine is running.

To prevent injury or damage from a rolling bale, discharge bales on level ground or in such a manner that the bale will not roll.

Do not try to remove or pull twine from baler when machine is running.

Clothing worn by the baler operator should be fairly tight and belted. Loose jackets, shirts, or sleeves should never be worn because of the danger of getting into moving parts.

If using a tractor loader to move bales, the loader **MUST** be equipped with a grapple to prevent bale from rolling down loader frame onto tractor operator.

Be especially careful when operating on hillsides. The baler may tip sideways if it strikes a hole, ditch, or other irregularity.

Keep hands, feet, and clothing away from moving parts.

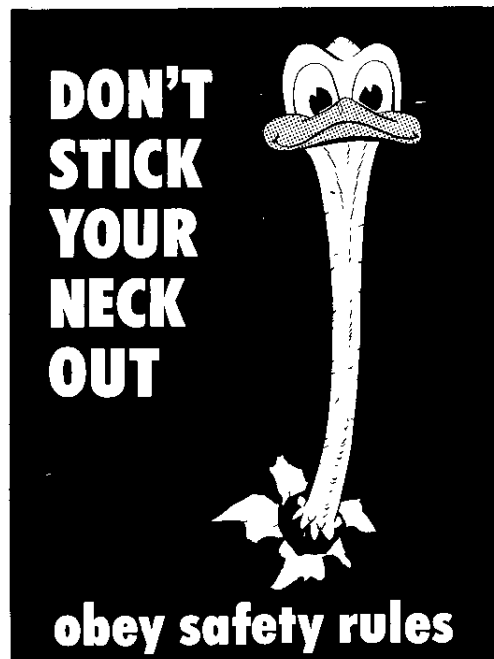
Do not hand feed any material into the baler.

Do not allow anyone to stand near the rear of the baler when it is discharging a bale.

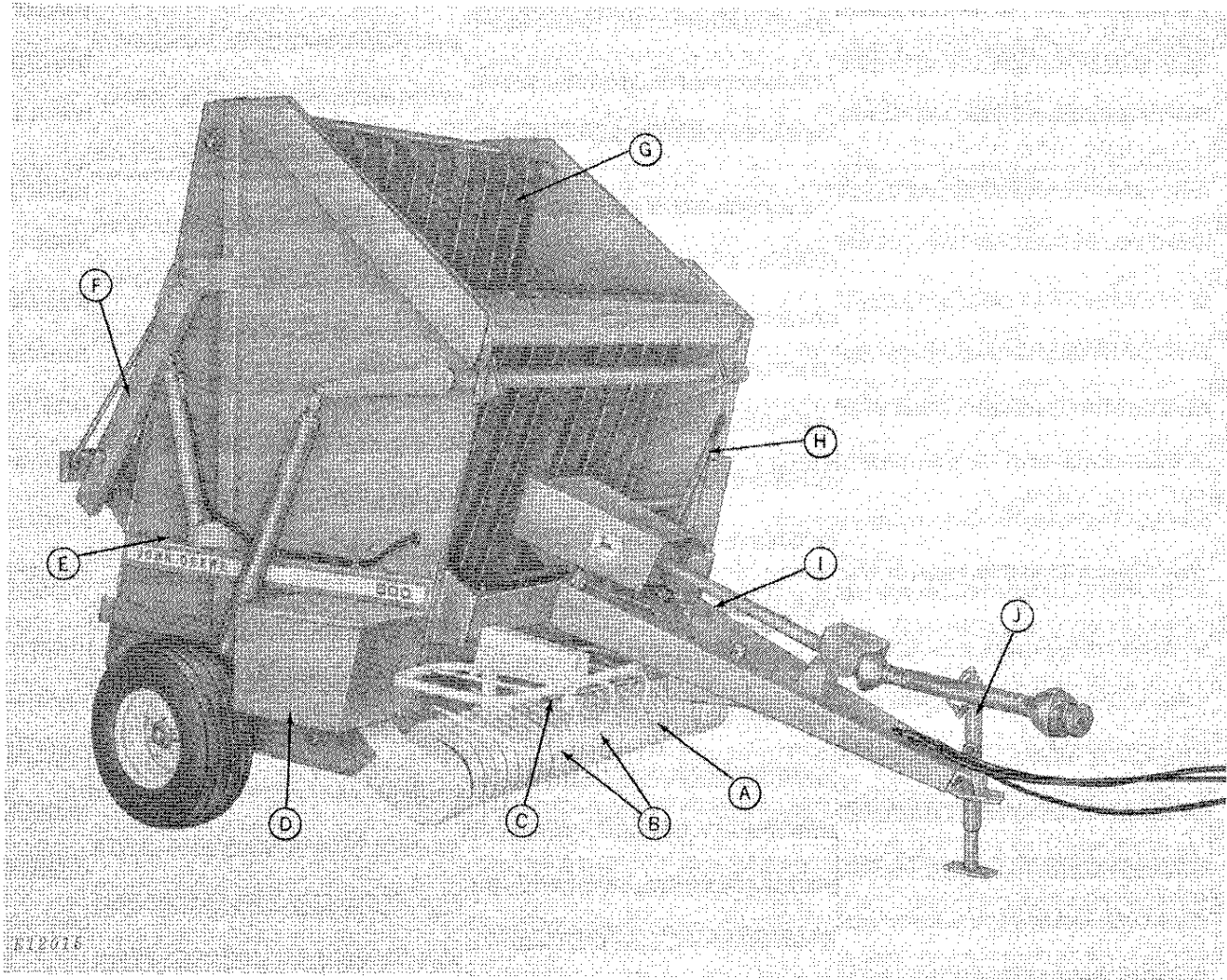
Never clean, oil, or adjust the baler when it is running.

Do not operate this machine without proper shielding over the powershaft and universal joints. Hook-up shields must rotate freely.

Be alert, the life you save could be your own.



R 2250



- |                                     |                      |
|-------------------------------------|----------------------|
| A—Pickup                            | F—Gate               |
| B—Compressors                       | G—Upper Belts        |
| C—Twine Tube                        | H—Pickup Lift Handle |
| D—Twine Box                         | I—Flow Control Valve |
| E—Storage Position for Lock-Out Pin | J—Jack Stand         |

*Right Front View of John Deere 500 Round Baler*

Thank you so much for reading.  
Please click the “Buy Now!”  
button below to download the  
complete manual.



After you pay.

You can download the most  
perfect and complete manual in  
the world immediately.

Our support email:

[ebooklibonline@outlook.com](mailto:ebooklibonline@outlook.com)