

762C Harvester Head  
Operator and  
Maintenance Manual

Operator 's manual  
762C Harvester Head  
(EJ0762C001630-)

F069797 Issue 1.6.2005 (ENGLISH)

OPERATOR'S AND  
MAINTENANCE MANUAL

JOHN DEERE  
762C

INTRODUCTION	1
WARRANTY	2
SAFETY INSTRUCTIONS	3
	4
PLANNING YOUR WORK	5
MAINTENANCE	6
HYDRAULIC SYSTEM	7
ELECTRICAL SYSTEM	8
	9
	10
OPTIONAL EQUIPMENT	11
TECHNICAL DATA	12

The information contained in this manual is comprised of regulations and instructions which will assist the operator to operate the machine in a safe and efficient manner. Make sure this manual is always close at hand and available to all who work on the machine.

Should this manual be lost or should it deteriorate to an unintelligible state, contact John Deere or your nearest John Deere dealer for a replacement manual.

If you sell the machine, be sure to give this manual to the new owners.

Continuing improvements in the design of this machine can lead to changes in detail which may not be reflected in this manual.

Consult John Deere or your local John Deere dealer for the latest available information of your machine or for questions regarding information in this manual.



## WARNING

Only persons whose training has been approved by John Deere are permitted to operate John Deere machinery.

Improper operation and maintenance of this machine can be hazardous and could result in serious injury or death.

Therefore, it is of paramount importance that all the instructions given in this manual and during training be followed when the machine is operated or serviced.

The safety rules are given in paragraph 3.

---

1.	Introduction .....	1-1
1.1	General .....	1-1
1.2	762C harvester head .....	1-2
1.3	Main components of head .....	1-3
2.	Warranty .....	2-1
2.1	Standard Warranty Clauses .....	2-1
2.2	Standard Warranty .....	2-1
2.3	Machines with Extended Coverage (For specified machines only!) .....	2-2
2.4	Periodic Maintenance .....	2-2
3.	Safety instructions .....	3-1
3.1	Safety symbol .....	3-1
3.1.1	Meaning of warnings .....	3-2
3.2	General safety rules .....	3-3
3.3	Operating safety precautions .....	3-4
3.3.1	Before a new shift .....	3-5
3.3.2	Transport by road .....	3-5
3.4	Maintenance safety precautions .....	3-6
3.5	Working with oils and chemicals .....	3-8
5.	Planning your work .....	5-1
5.1	General .....	5-1
5.2	Example of how a map sketch may look .....	5-2
5.3	Thinning .....	5-3
5.4	Regeneration harvesting .....	5-5
5.5	Working technique for regeneration harvesting .....	5-6
5.5.1	Felling into trees .....	5-6
5.5.2	Felling outwards from the stand .....	5-7
5.5.3	Felling in both directions .....	5-8
5.6	Working technique for thinning .....	5-9
5.6.1	Thinning with a harvester alone .....	5-9
5.6.2	Thinning with a harvester and chain saw .....	5-10
5.6.3	Thinning between logging roads .....	5-11
5.7	Felling .....	5-12
5.7.1	Stump height .....	5-12
5.7.2	Felling stage .....	5-12

---

5.7.3	When felling on sloping ground	5-14
5.7.4	Felling trees with large roots	5-15
5.8	Delimiting, crosscutting	5-16
5.9	Checklist	5-18
5.9.1	Felling/Crosscutting	5-18
5.9.2	Delimiting	5-19
5.9.3	Feeding	5-20
<b>6.</b>	<b>Maintenance</b>	<b>6-1</b>
6.1	Maintenance Safety Precautions	6-2
6.2	Saw unit safety	6-4
6.2.1	When replacing the saw chain	6-4
6.3	Instructions for Greasing	6-5
6.4	Oil recommendations	6-6
6.4.1	Grease	6-6
6.4.2	Hydraulic oil	6-6
6.4.3	Saw chain oil	6-6
6.4.4	Greasing the diameter and length measurement sensors	6-6
6.5	Tightening torques for bolt fastenings	6-7
6.6	Daily maintenance or after every 10 hours	6-8
6.7	Weekly maintenance or after every 50 hours	6-9
6.8	Service after every 250 hours	6-9
6.9	After every 950 hours or with service	6-9
6.10	Feed equipment	6-10
6.10.1	Feed rollers	6-10
6.10.2	Feed roller motors	6-10
6.11	Saw equipment	6-11
6.12	Saw chain care	6-12
6.12.1	Sprocket, saw bar and chain	6-13
6.12.2	Changing the sprocket	6-13
6.12.3	Stretching the chain by hand	6-14
6.12.4	Changing the saw bar and chain	6-14
6.12.5	Refilling with saw chain oil	6-15
6.12.6	Sharpening the saw chains with .404 pitch	6-16
6.12.7	Common faults when filing chains	6-17
6.12.8	Shortening a saw chain	6-18
6.12.9	Care of the saw bar	6-18

6.12.10	Checking and replacement of chain idler	6-19
6.13	Setting the saw bar and sensor	6-20
6.13.1	Adjusting the "saw bar position" sensors	6-22
6.14	Grinding the delimiting knives	6-23
6.15	Diameter measuring equipment	6-24
6.15.1	Checking the Tj 3000 / Timbermatic 300 set values	6-24
6.15.2	Checking the diameter potentiometer, Timbermatic 10 3G+	6-25
6.15.3	Fine adjustment	6-26
6.15.4	Mounting the diameter sensor	6-28
6.16	Length measuring equipment	6-29
<b>7.</b>	<b>Hydraulic system</b>	<b>7-1</b>
7.1	Hydraulic components of the harvester head	7-1
7.2	Hydraulic components, valve block	7-3
7.3	Hydraulic diagrams	7-5
7.4	Checking and adjusting pressures	7-9
7.4.1	Checking the setting of the main pressure limiting valve (39)	7-9
7.4.2	Setting the main pressure limiting valve (39)	7-10
7.4.3	Checking/Adjusting the pressure reducing valve (45) for feed forward/reverse	7-10
7.4.4	Checking/Adjusting the pressure reducing valve for high pressure delimiting knife, lower delimiting knife (18), upper delimiting knife (34)	7-11
7.4.5	Checking/Adjusting the pressure limiting valve for low pressure delimiting knife, lower delimiting knife (16), upper delimiting knife (32)	7-12
7.4.6	Checking/Adjusting the pressure limiting valve (26), feed roller high-pressure grip	7-13
7.4.7	Checking/Adjusting the pressure limiting valve (24), feed roller low-pressure grip	7-13
7.4.8	Checking/Adjusting the pressure reducing valve (9), tilt up	7-14
7.4.9	Checking/adjusting pressure reducing valve (6) for saw bar return	7-14
7.4.10	Checking/adjusting pressure reducing valve (68) for automatic chain tensioner	7-15

8.	Electrical System .....	8-1
8.1	Control and measuring system .....	8-2
8.2	Connectors .....	8-3
8.2.1	HHM .....	8-3
8.2.2	MFM 3G+, attachment .....	8-7
8.3	Wiring Diagram .....	8-9
11.	Optional equipment .....	11-1
11.1	Color marking .....	11-1
11.2	Automatic chain tensioner .....	11-4
12.	Technical data .....	12-1

## 1. Introduction

This operator's manual describes the operation of your John Deere 762C harvester head. This machine may only be operated by those who have successfully completed a John Deere course for 762C operators.

The operator must also have read and understood the entire operator's manual.

This manual will provide you with information about the construction and operation of the machine that is essential in order to use and look after the machine correctly. It will also serve as guidance for maintenance and certain adjustments.

For more complicated maintenance or repairs you should contact your nearest authorized service workshop. Our service personnel have the experience and specialist tools that are necessary for more complicated work.

### 1.1 General

This head is designed to fell, delimb and cross-cut trees.

Regular servicing and correct operation is essential in order to ensure long service life of the harvester head. The instructions contained in this manual should therefore be followed carefully.

A thorough check of the harvester head at regular intervals is a guarantee for favourable economy of operation. Care and attention by the operator, in combination with the experience and high quality laid down in the design of this equipment, will ensure high performance and a minimum of downtime throughout the life of the equipment.



## 1.2 762C Harvester head

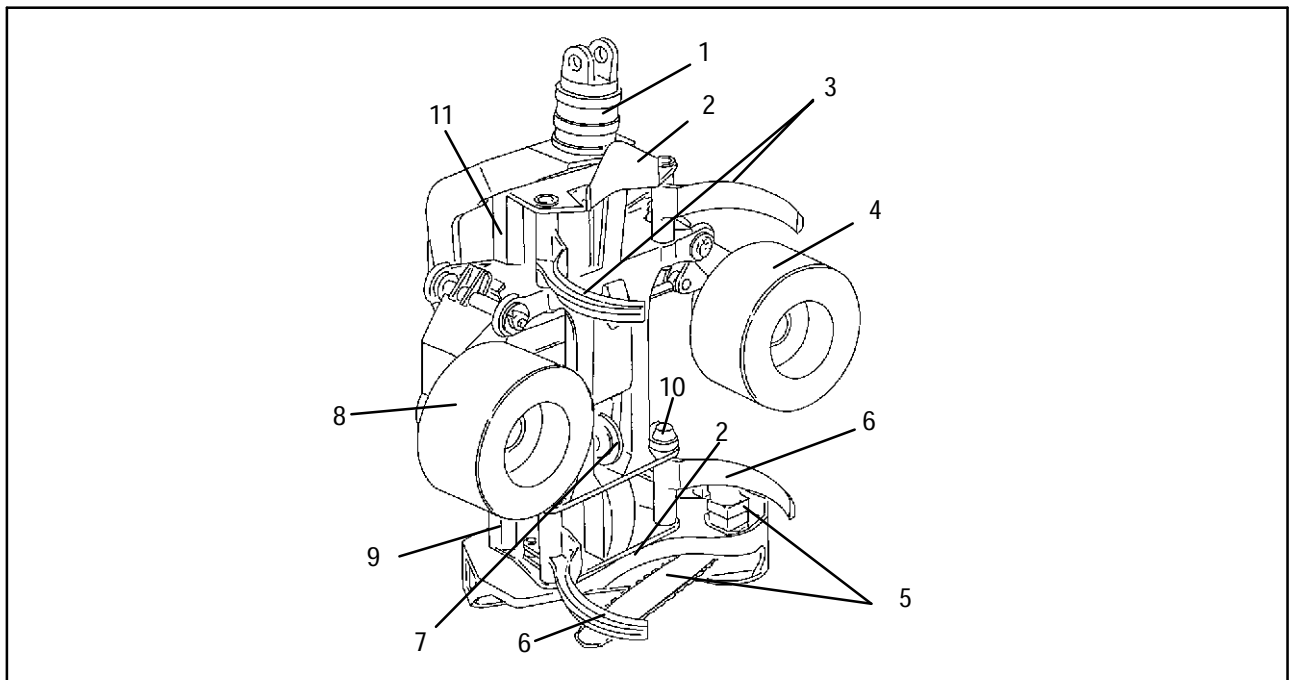
The John Deere 762C is a compact harvester head designed for felling, delimiting and cross-cutting trees.

The head is mounted on the tip of a boom to facilitate simple and efficient sorting and high-level stacking.

The John Deere 762C can also be used for late thinning and final felling of trees up to the maximum diameter specified in the Technical Data.

Because it can handle fallen trees the 762C can also be used as a processor.

### 1.3 Main components of head



1. Rotator.
2. Fixed delimiting knife.
3. Moving delimiting knives, upper.
4. Left feed roller.
5. Saw bar with hydraulic motor.
6. Moving delimiting knives, lower.
7. Length measurement equipment.
8. Right feed roller.
9. Serial number of harvester head.
10. Diameter sensors on lower delimiting knives.
11. Valve block and controls for head functions.

**Buy Now**



Our support email:

[ebooklibonline@outlook.com](mailto:ebooklibonline@outlook.com)