

330 / 430 LOG LOADER

S/N 972019 – 90CA4159

S/N 972019 – 90CB4146

OPERATOR'S MANUAL 330 / 430 LOG LOADER OMF284412

CALIFORNIA Proposition 65 Warning

Diesel engine exhaust and some of its constituents are known to the State of California to cause cancer, birth defects and other reproductive harm.



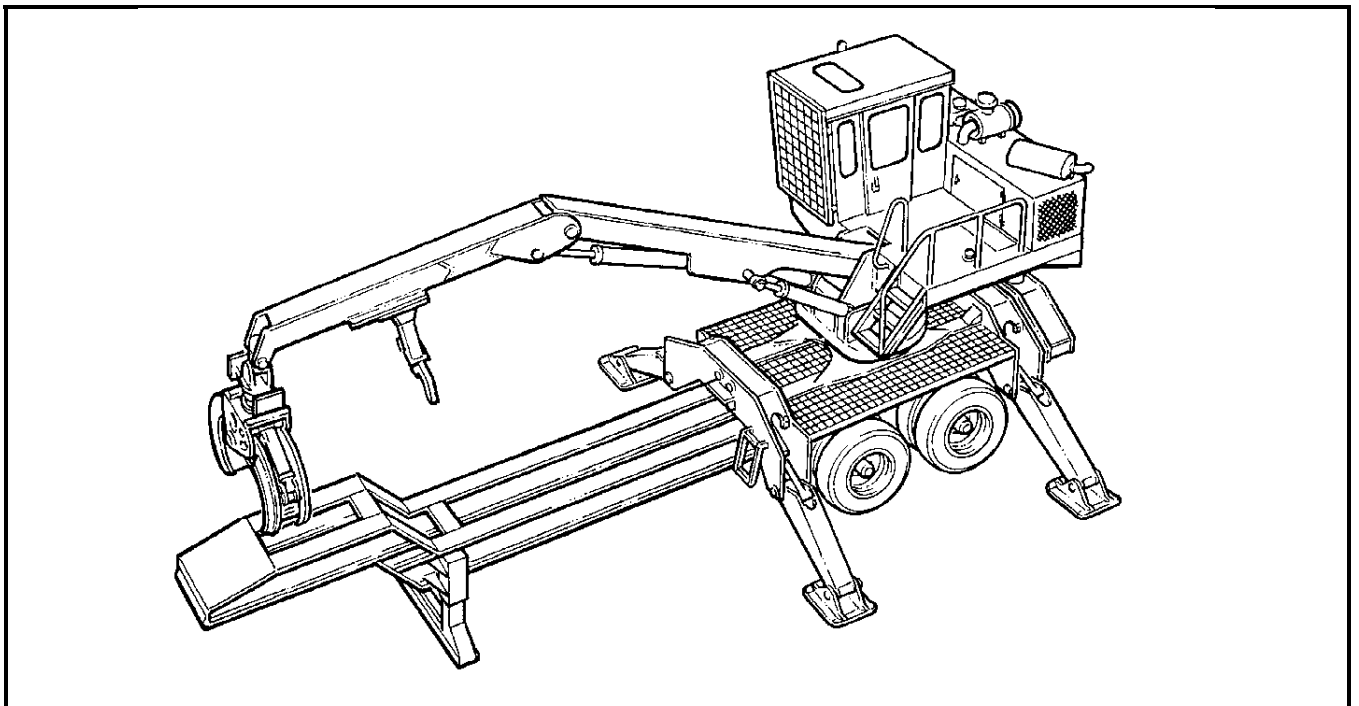
WARNING

The engine exhaust from this product contains chemicals known to the State of California to cause cancer, birth defects or other reproductive harm.

Worldwide Construction and Forestry Division

English

Operator, Maintenance and Specification Manual



Model 330 and 430 Loaders

Timberjack Inc.
P.O. Box 160
925 Devonshire Avenue
Woodstock, Ontario, Canada
N4S 7X1

Telephone:	519-537-6271
Service Dept. Fax:	519-537-2664
Parts Dept. Fax:	

Table of Contents

Section	Description
1	Introduction
2	Warranty
3	Safety Rules
4	Description
5	Operation
6	Lubrication and Maintenance
7	Hydraulic System
8	Electrical System
9	Troubleshooting
10	Specifications
11	Miscellaneous
12	Index

Table of Contents

Section 1 - Introduction

1.1 Foreword	1 - 2
1.2 Model and Serial Number Record	1 - 3
1.4 Non-approved Field Product Changes	1 - 4
1.4 Loader Installation	1 - 5

Section 2 - Warranty

2.1 Warranty Certificate	2 - 2
2.2 Items Not Covered by Warranty	2 - 3

Section 3 - Safety Rules

3.1 General	3 - 2
3.2 Safety Symbol	3 - 2
3.3 Understanding Signal Words	3 - 2
3.4 General Safety Precautions	3 - 3
3.5 Operating Safety Precautions	3 - 6
3.6 Servicing Safety Precautions	3 - 9
3.7 Transporting on Public Roads	3 - 15
3.8 Fire Prevention	3 - 16
3.9 What to Do if the Machine Catches Fire	3 - 17

Section 4 - Description

4.1 Introduction	4 - 2
4.2 Equipment Nomenclature	4 - 2
4.2.1 Major Components	4 - 2
4.3 Controls and Instrumentation	4 - 4
4.3.1 Loader Models with Lever Controls	4 - 4
4.3.2 Loader Models with Joystick Controls	4 - 6
4.3.3 Switches and Gauges	4 - 8
4.3.4 Operating Controls	4 - 12
4.3.5 Miscellaneous Items	4 - 14

Table of Contents

Section 5 - Operation

- 5.1 Operating the Engine 5 - 2
 - 5.1.1 Engine Break-in Procedure 5 - 2
 - 5.1.2 Pre-start Checks 5 - 2
 - 5.1.3 Before Starting the Engine 5 - 2
 - 5.1.4 Engine Throttle Speed Switch 5 - 3
 - 5.1.5 Starting the Engine 5 - 3
 - 5.1.6 Stopping the Engine 5 - 5
- 5.2 Operating the Loader 5 - 6
 - 5.2.1 Using the Stabilizers 5 - 6
 - 5.2.2 Swinging the Loader Turntable 5 - 7
- 5.3 Using the Implements 5 - 8
 - 5.3.1 Manual Loader Controls 5 - 8
 - 5.3.2 Joystick Loader Controls 5 - 10
- 5.4 Transporting the Loader 5 - 12

Section 6 - Lubrication and Maintenance

- 6.1 Maintenance Schedule 6 - 2
- 6.2 Maintenance Procedures 6 - 6
 - 6.2.1 Maintenance - 8 Hours 6 - 6
 - 6.2.2 Maintenance - First 25 Hours 6 - 14
 - 6.2.3 Maintenance - 50 Hours 6 - 15
 - 6.2.4 Maintenance - 100 Hours 6 - 18
 - 6.2.5 Maintenance - 250 Hours 6 - 20
 - 6.2.6 Maintenance - 500 Hours 6 - 25
 - 6.2.7 Maintenance - 2000 Hours 6 - 27
 - 6.2.8 Unscheduled Maintenance 6 - 33
- 6.3 Fluids and Lubricants 6 - 35
 - 6.3.1 Fluid and Lubricant Specifications 6 - 35
 - 6.3.2 Engine Oil Viscosity 6 - 37
 - 6.3.3 Gear Oil Viscosity - Swing Drive Gearbox 6 - 37
 - 6.3.4 Recommended Hydraulic Fluids 6 - 38
- 6.4 Lubrication Chart 6 - 39

Thank you so much for reading.
Please click the “Buy Now!”
button below to download the
complete manual.



After you pay.

You can download the most
perfect and complete manual in
the world immediately.

Our support email:

ebooklibonline@outlook.com