

FD21 FELLING HEAD OPERATOR'S MANUAL

(Serial No. WCFD21X006022 --)

OPERATOR'S MANUAL FD21 FELLING HEAD OMF383936 H2 (ENGLISH)

CALIFORNIA
Proposition 65 Warning

Diesel engine exhaust and some of its constituents are known to the State of California to cause cancer, birth defects, and other reproductive harm.

If this product contains a gasoline engine:

 **WARNING**

The engine exhaust from this product contains chemicals known to the State of California to cause cancer, birth defects or other reproductive harm.

The State of California requires the above two warnings.

**Worldwide Construction
And Forestry Division**
(This manual replaces F381762, F381698, F381483)
LITHO IN U.S.A.

Introduction

Foreword

READ THIS MANUAL carefully to learn how to operate and service your felling head correctly. Failure to do so could result in personal injury or equipment damage. This manual and safety signs on your machine may also be available in other languages. (See your dealer to order.)

THIS MANUAL SHOULD BE CONSIDERED a permanent part of your felling head and should remain with the felling head when you sell it.

MEASUREMENTS in this manual are given in both metric and customary U.S. unit equivalents. Use only correct replacement parts and fasteners. Metric and inch fasteners may require a specific metric or inch wrench.

RIGHT-HAND AND LEFT-HAND sides are determined by facing in the direction of forward travel.

WRITE PRODUCT IDENTIFICATION NUMBERS (P.I.N.) in the Machine Numbers section. Accurately record all the numbers to help in tracing the felling

head should it be stolen. Your dealer also needs these numbers when you order parts. File the identification numbers in a secure place off the machine.

WARRANTY is provided as part of the manufacturer's support program for customers who operate and maintain their equipment as described in this manual. The warranty is explained on the warranty certificate which you should have received from your dealer.

This warranty provides you the assurance that the manufacturer will back its products where defects appear within the warranty period. In some circumstances, the manufacturer also provides field improvements, often without charge to the customer, even if the product is out of warranty. Should the equipment be abused, or modified to change its performance beyond the original factory specifications, the warranty will become void and field improvements may be denied. Setting fuel delivery above specifications or otherwise overpowering machines will result in such action.

TX,DH2120 -19-11DEC95-1/1

Technical Information Feedback Form

We need your help to continually improve our technical publications. Please copy this page and FAX or mail your comments, ideas and improvements.

SEND TO: Waratah
925 Devonshire Avenue
Woodstock ON, Canada, N4S 5S1

FAX NUMBER: Attn: Supervisor - Technical Manuals
519-537-2664

Ideas, Comments (Please State Page Number): _____

OVERALL, how would you rate the quality of this publication? (Check one)

1 Poor 2 3 Fair 4 5 Good 6 7 Very Good 8 9 Excellent 10

Company Name: _____

Technician Name: _____

Address: _____

Phone: _____

Fax No.: _____

Dealer Acct. No.: _____

THANK YOU!

Contents

	Page		Page
Safety — Safety Features			
FD21 Felling Head Safety Features	1-1-1	Stopping the Disc Saw Blade	2-3-3
Safety — General Precautions			
Recognize Safety Information	1-2-1	Cutting Multiple Trees — Drive To Tree	2-3-4
Follow Safety Instructions	1-2-1	Handling The Tree	2-3-7
Operate Only If Qualified	1-2-1	Periodic Maintenance	
Wear Protective Equipment	1-2-2	Periodic Maintenance Table	3-1-1
Avoid Unauthorized Attachment		Maintenance — General	3-1-2
Modifications	1-2-2	Tools Required	3-1-3
Stay Clear Of Moving Parts	1-2-2	Bolt Torque Chart	3-1-4
Avoid High-Pressure Fluids	1-2-3	Maintenance — Every 8 Hours	
Handle Chemical Products Safely	1-2-3	Locking Bolt Storage	3-2-1
Dispose of Waste Properly	1-2-4	Visually Inspect All Bolts	3-2-1
Prepare for Emergencies	1-2-4	Lubricate All Grease Fittings	3-2-2
Control Pattern	1-2-4	Check Saw Tooth Bolt Torque	3-2-4
Safety — Operating Precautions			
Keep Riders Off Machine	1-3-1	Check Saw Tooth and Disc Saw Blade	
Operate Booms with Care	1-3-1	Condition	3-2-5
Add And Operate Attachments Safely	1-3-2	Check Driveshaft End Play	3-2-10
Avoid Power Lines	1-3-2	Saw Housing Restriction Inspection	3-2-11
Safety — Maintenance Precautions			
Park And Prepare For Service Safely	1-4-1	Check All Hydraulic Hoses and Fittings	3-2-12
Remove Paint Before Welding or Heating	1-4-1	Maintenance — Every 125 Hours	
Safety — Safety Signs			
FD21 Decal Location	1-5-1	Check All Bolt Torques	3-3-1
Felling Head Components			
FD21 Felling Head Components	2-1-1	Check All Hydraulic Hoses and Fittings	3-3-5
Saw Drive Components	2-1-2	Check Disc Saw Blade R.P.M.	3-3-6
Saw Drive Description	2-1-3	Check Hydraulic Pressure Setting	3-3-7
Disc Saw Blade Description	2-1-4	Lubricate Driveshaft and Motor Coupling	3-3-7
Disc Saw Blade and Tooth Data	2-1-5	Clean Saw Motor Area	3-3-7
Stop Plate Description — Tilt Angle	2-1-7	Maintenance — Every 250 Hours	
Felling Head Operation			
Basic Operation	2-3-1	Perform Overall Visual Inspection	3-4-1
Principle of Operation	2-3-1	Perform 125 Hour Interval Maintenance	
Blade Feeding Speed	2-3-2	Procedures	3-4-1
General Method of Operation	2-3-2	Maintenance — Unscheduled	
		Disc Saw Blade Inspection	3-5-1
		Saw Tooth Replacement	3-5-3
		Disc Saw Blade Removal	3-5-4
		Disc Saw Blade Installation	3-5-7
		Check All Hydraulic Hoses and Fittings	3-5-10
		Disc Saw Blade Gauge	3-5-11

Continued on next page

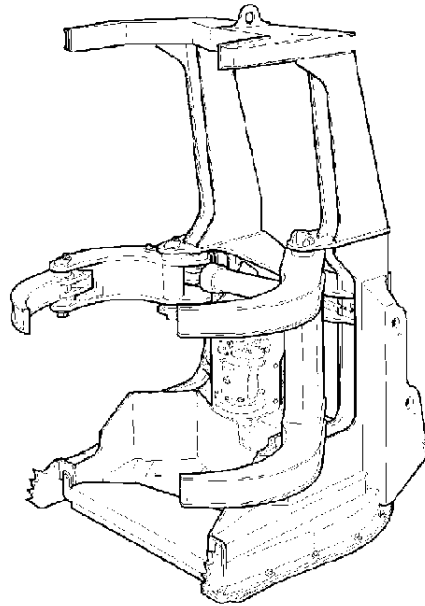
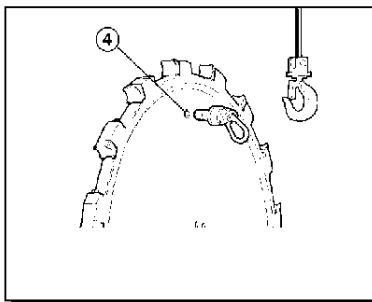
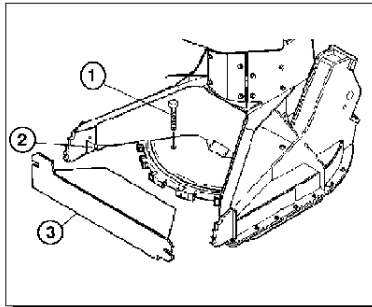
All information, illustrations and specifications in this manual are based on the latest information available at the time of publication. The right is reserved to make changes at any time without notice.

COPYRIGHT © 2002
DEERE & COMPANY
Moline, Illinois
All rights reserved
A John Deere ILLUSTRATION® Manual

	Page
Initial Pump & Motor Startup	3-5-14
Initial Saw Speed Adjustment	3-5-14
Initial Saw Circuit Begin of Stroke Adjustment and Pressure Setting	3-5-14
Miscellaneous — Saw Speed Sense Equipment	
Saw Speed Sense Equipment	4-1-1
Saw Speed Tachometer	4-1-2
Miscellaneous — Troubleshooting	
Diagnose Disc Saw Blade Stalling	4-2-1
Miscellaneous — Serial Numbers	
Model and Serial Number Record	4-4-1
Miscellaneous — Specifications	
FD21 Felling Head Dimensions	4-3-1
Bolt Torque Chart	4-3-2
General Specifications	4-3-3
Miscellaneous — Crime Prevention Tips	
Help Prevent Crime	4-4-1
Record Identification Numbers	4-4-1
Keep Proof of Ownership	4-4-1
Park Indoors Out of Sight	4-4-1
When Parking Outdoors	4-4-2
Reduce Vandalism	4-4-2
Report Thefts Immediately	4-4-3

Safety — Safety Features

FD21 Felling Head Safety Features



T153526 -JUN-08APR02

Please remember, the **Operator** is the key to preventing accidents.

1. **Disc Saw Rotation Locking Bolt**

A disc saw rotation locking bolt is stored on the head.

2. **Chip Deflector**

Ensures that cutting debris travels in one direction away from the head.

3. **Disc Saw Blade Guard**

A disc saw blade guard is easily installed when the unit is not in operation.

4. **Disc Saw Blade Lifting Points**

Threaded holes in disc saw blade for correct and safe lifting.

MR64971,0000003 -19-05DEC01-1/1

Safety — General Precautions

Recognize Safety Information

This is the safety alert symbol. When you see this symbol on your machine or in this manual, be alert for the potential of personal injury.

Follow the precautions and safe operating practices highlighted by this symbol.

A signal word — DANGER, WARNING, or CAUTION — is used with the safety alert symbol. DANGER identifies the most serious hazards.

On your machine, DANGER signs are red in color, WARNING signs are orange, and CAUTION signs are yellow. DANGER and WARNING signs are located near specific hazards. General precautions are on CAUTION labels.



T133555 -UN-28AUG00

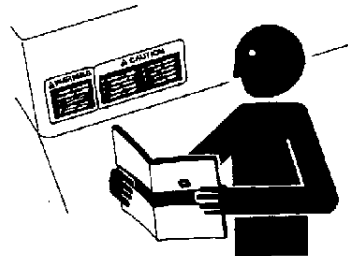
T133588 -19-28AUG00

TX03679,00016CC -19-21AUG00-1/1

Follow Safety Instructions

Read the safety messages in this manual and on the machine. Follow these warnings and instructions carefully. Review them frequently.

Be sure all operators of this machine understand every safety message. Replace operator's manual and safety labels immediately if missing or damaged.



T133556 -UN-24AUG00

TX03679,00016F9 -19-14MAR01-1/1

Operate Only If Qualified

Do not operate this attachment unless you have read the operator's manual carefully and you have been qualified by supervised training and instruction.

Familiarize yourself with the job site and your surroundings before operating. Try all controls and

attachment functions with the machine in an open area before starting to work.

Know and observe all safety rules that may apply to your work situation and your work site.

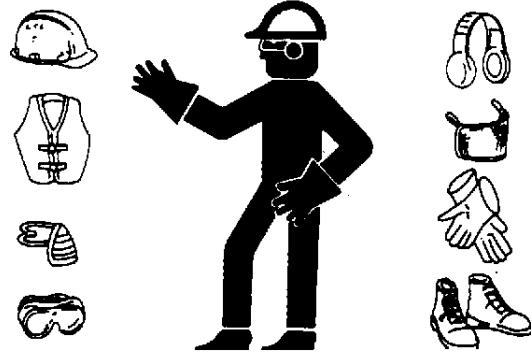
TX03679,00016FA -19-30OCT00-1/1

Wear Protective Equipment

Guard against injury from flying pieces of metal or debris; wear goggles or safety glasses.

Wear close fitting clothing and safety equipment appropriate to the job.

Prolonged exposure to loud noise can cause impairment or loss of hearing. Wear suitable hearing protection such as earmuffs or earplugs to protect against objectionable or uncomfortable loud noises.



TS206 -UN-23AUG88

TX03679,00016D0 -19-30OCT00-1/1

Avoid Unauthorized Attachment Modifications

Modifications of this attachment, or addition of unapproved products or attachments, may affect attachment stability or reliability, and may create a hazard for the operator or others near the attachment.

Always contact an authorized dealer before making attachment modifications that change the intended use, weight, or that alter attachment controls, performance or reliability.

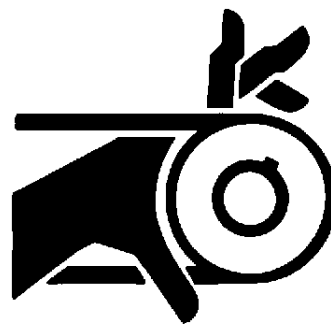
TX03679,00016B7 -19-30OCT00-1/1

Stay Clear Of Moving Parts

Entanglements in moving parts can cause serious injury.

Stop engine before examining, adjusting or maintaining any part of attachment with moving parts.

Keep guards and shields in place. Replace any guard or shield that has been removed for access as soon as service or repair is complete.



T7279AS -UN-08JUN90

TX03679,00016D2 -19-30OCT00-1/1

Buy Now



Our support email:

ebooklibonline@outlook.com