

M10, M21, and M23 Walk-Behind Mowers

Serial No. (010,001 -)



OPERATOR'S MANUAL

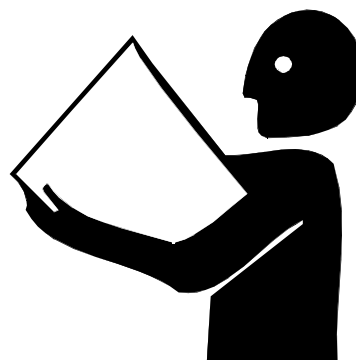
John Deere
Worldwide Commercial And
Consumer Products Division
OMGC00037 K7

North American Version
Litho in U.S.A.
English

INTRODUCTION

THANK YOU for purchasing a John Deere product.

Read this manual thoroughly. Failure to do so could result in personal injury or equipment damage.



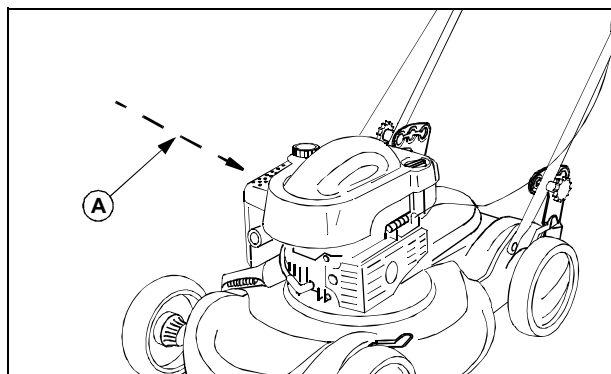
WARNING: The Engine Exhaust from this product contains chemicals known to the State of California to cause cancer, birth defects or other reproductive harm.

CALIFORNIA Proposition 65 Warning

This manual should be considered a permanent part of your machine and should remain with the machine when you sell it.

Measurements in this manual are metric units and their U.S. customary equivalents. RIGHT-HAND and LEFT-HAND sides are determined by facing in the direction the machine will travel when going forward. When you see a broken line arrow (A), it indicates the part it is pointing to is hidden.

Record identification numbers below. Be sure to record all the numbers to help in tracing the machine if it is stolen. You also need to give these numbers to your dealer when you order parts.



DATE OF PURCHASE: _____

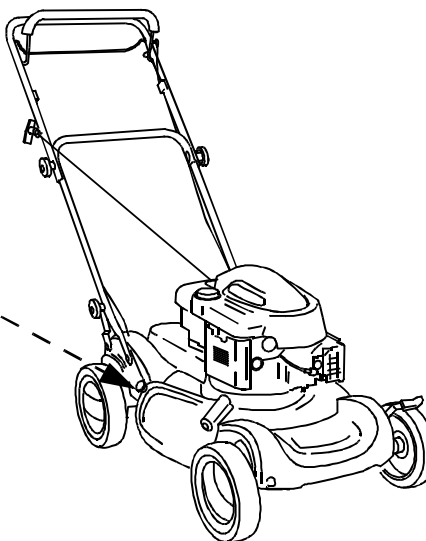
DEALER NAME: _____

DEALER PHONE: _____

Sabre® is a registered trademark of Deere & Company

Mower Serial Number:

--	--	--	--	--	--	--	--	--	--	--	--	--	--	--	--	--	--	--	--	--



ASSEMBLY

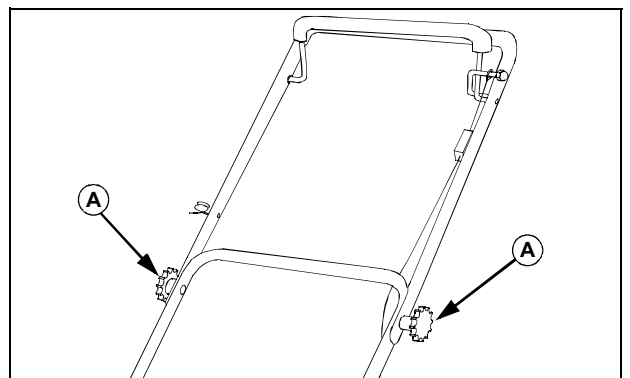
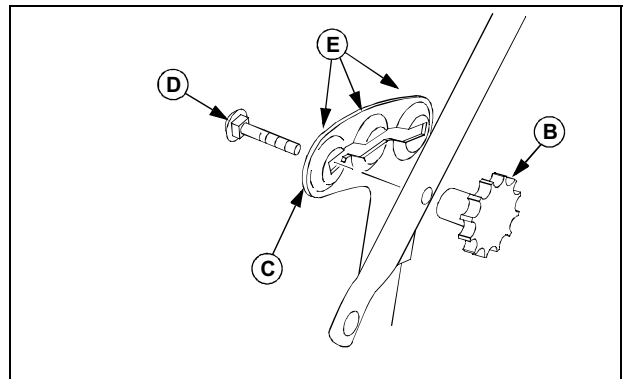
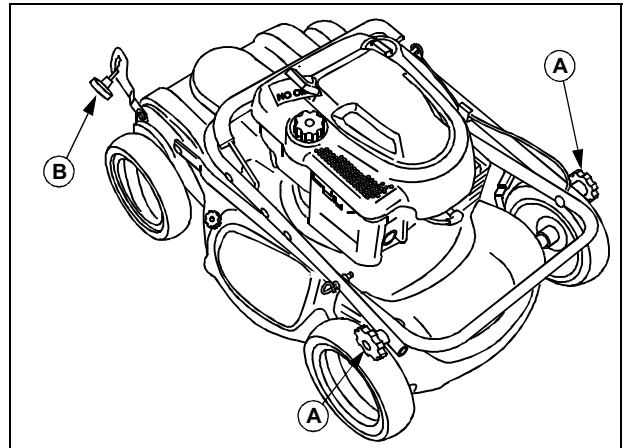
Unfold Handles

IMPORTANT: Prevent damage to mower control cables when installing handle assembly. **DO NOT** pinch or crimp the control cables. Control cables must be inside of handle and unrestricted before tightening hardware.

1. Carefully remove mower from shipping carton.
2. Loosen knob (A) approximately 25 mm (1 in.) on each side of upper handle.
3. Remove knob (B) and carriage bolt from each side.
4. Carefully pull folded handle assembly rearward.
5. Rotate slotted bracket (C) to match a desirable height setting with hole in handle.
6. Install carriage bolt (D) from the inside through hole in slotted bracket (C) and through handle on each side of handle. Use same hole on each side.
7. Install and tighten knob (B) on each bolt. Both handle knobs should be positioned on the outside of the handles.

NOTE: If handle height is not satisfactory, move handle to another hole and height position. Bolts must travel within slotted adjustment brackets and come to rest within one of the three height setting positions (E) before tightening.

8. Pivot upper portion of handle assembly to a straight and aligning position. Hold handle and tighten knob (A) on each side.

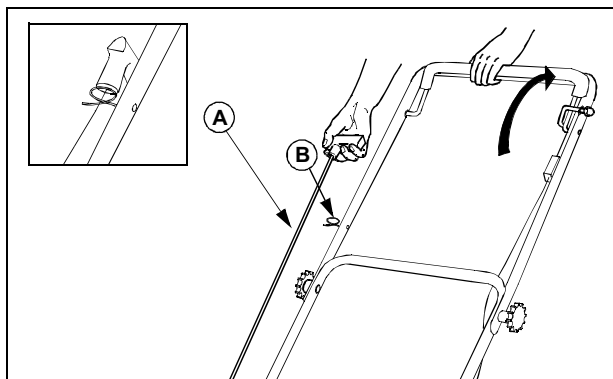


ASSEMBLY

Install Starter Rope

NOTE: To make installation of the starter rope onto the rope guide easier, hold the blade control lever against the handle while pulling the starter rope.

Pull and install starter rope (A) onto rope guide (B) mounted on the right side of the handle.

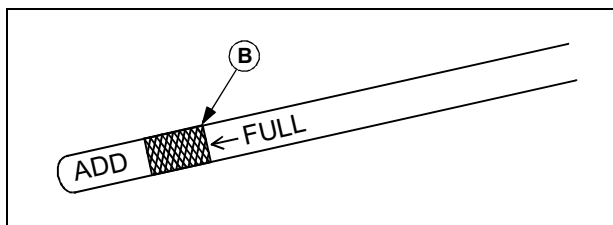
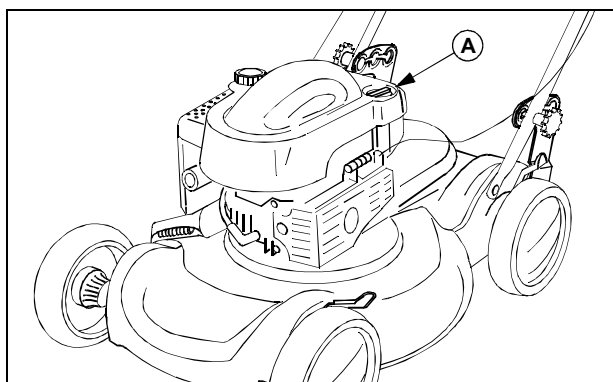


Add Engine Oil

IMPORTANT: ENGINE IS SHIPPED WITHOUT OIL.

You MUST add oil before running the engine. See Engine Operator's Manual for oil information.

1. Park mower on a level surface.
2. Turn oil dipstick (A) 1/4 turn to the left and remove it.
3. Add 0.6 L (20 oz) oil into dipstick tube.
4. Check oil level:
 - Install dipstick. Turn dipstick 1/4 turn to the right to tighten.
 - Remove dipstick.
 - Check oil level. Oil should be to the FULL mark (B). If not, add oil.
5. Install and tighten dipstick.
6. Remove "NO OIL" tag from top of engine.

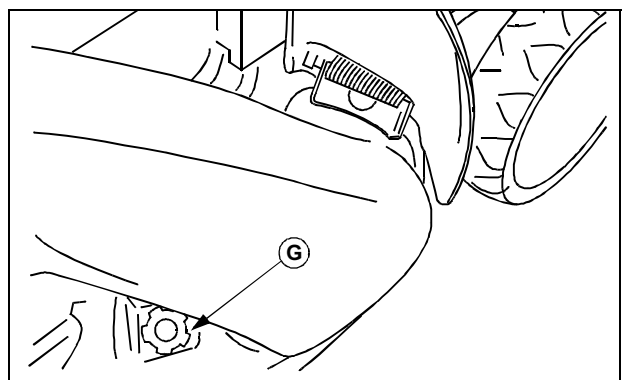
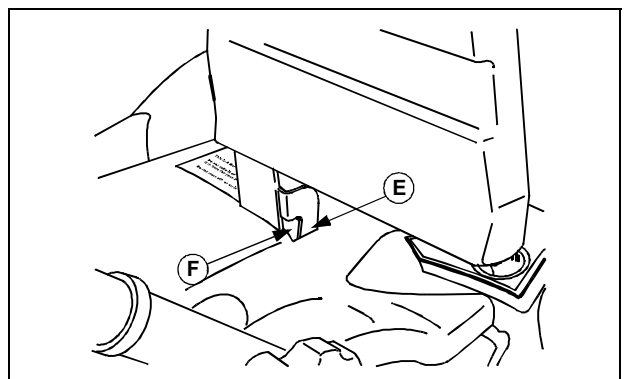
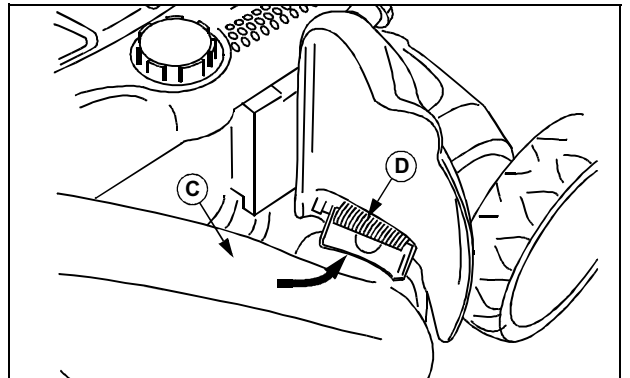
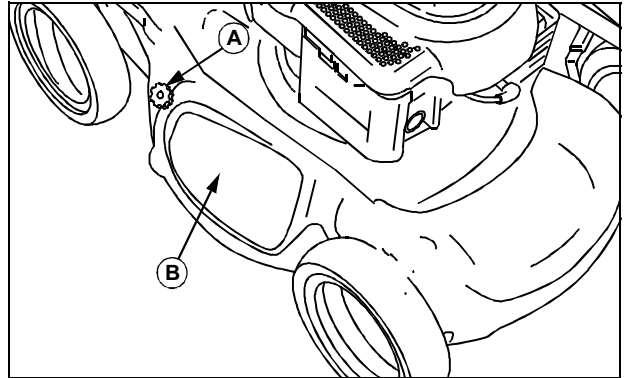


ASSEMBLY

Install Grass Bag

CAUTION: DO NOT operate mower unless mulch cover or grass bag and bagging chute are in place.
Bagging chute MUST be removed and mulch cover secured in place when grass bag is not being used.

1. Loosen mulch cover knob (A).
2. Lift and hold spring loaded mulch cover (B) up.
3. Install bagging chute:
 - Slide bagging chute (C) into position under the mulch cover mounting bracket (D).
 - Insert bagging chute tab (E) into rear mower shield slot (F).
 - Align hole in bagging chute over threaded hole in deck.
 - Install and tighten knob (G).



Thank you so much for reading.
Please click the “Buy Now!”
button below to download the
complete manual.



After you pay.

You can download the most
perfect and complete manual in
the world immediately.

Our support email:

ebooklibonline@outlook.com