

**65 PULL-TYPE  
COMBINES  
SERIAL NO. (65-11001  
AND UP)**



**JOHN DEERE**

**OPERATORS MANUAL  
65 PULL-TYPE COMBINES SERIAL  
NO. (65-11001 AND UP)**

OMH30260 B0 English

**OMH30260 B0**

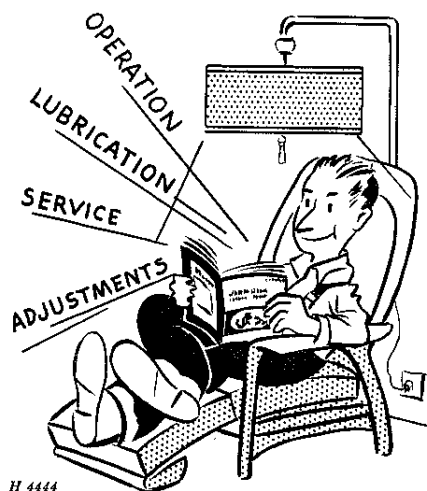
LITHO IN THE U.S.A.  
ENGLISH



## TO THE PURCHASER

The combine you have just purchased was designed and manufactured to the traditionally high quality standards of all John Deere Farm Equipment. Your combine has been thoroughly inspected and tested, not only at the factory, but at your dealer's by a trained John Deere Serviceman. We are confident that you will receive years of dependable, economical service from your John Deere Combine.

If you should find that you require information not covered in this manual, consult your John Deere dealer. He will be glad to answer any questions that may arise regarding the operation and handling of the combine. He has specialized mechanics who are kept informed on the best methods of John Deere Combine servicing, and can give you prompt know-how service in the field or in his shop.



**Study This Manual Carefully, Keep It Handy, In A Safe Place, For Future Reference.**

### LOCATION REFERENCE

"Right-hand" and "left-hand" sides are determined by facing in the direction the combine will travel when in use.

"Clockwise" refers to parts turning to the right like the hands of a clock. "Counter-clockwise" refers to parts turning to the left.

### ENGINE REFERENCE ONLY

Timing gear end of the engine is referred to as the "front"; flywheel end as the "rear."

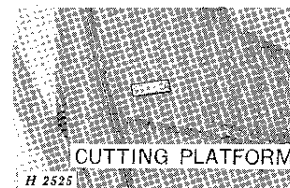
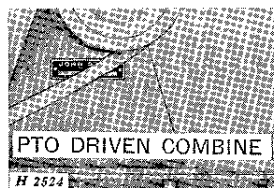
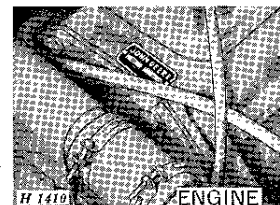
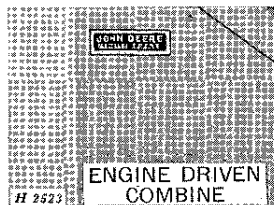
## KEEP YOUR COMBINE A JOHN DEERE COMBINE

Genuine John Deere Parts fit properly and insure satisfactory service because they are made from the original patterns and from the same materials as used in new machines. Should your combine require replacement parts, go to your John Deere dealer where you can obtain Genuine John Deere Parts—accept no substitutes.

### SERIAL NUMBERS

Your combine, cutting platform, and engine have serial numbers.

When ordering parts, always bring with you the model and serial numbers as given on the serial number plates. By doing so, you will assist your John Deere dealer in giving you prompt, efficient service.



Record the serial numbers in the spaces provided on this page.

The engine-driven combine serial number is on a plate located on the support bracket at the rear end of the fuel tank.

The PTO-driven combine serial number is on a plate located on the grain tank unloading auger jackshaft left-hand support bracket.

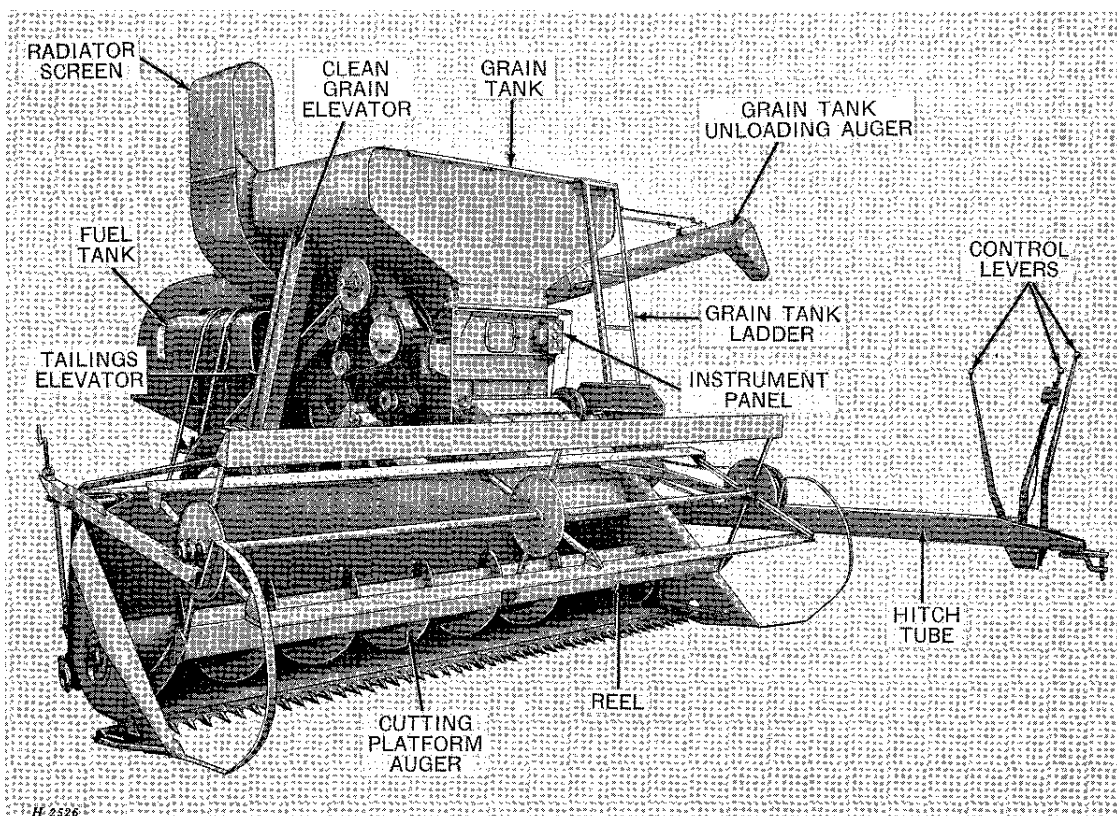
The engine serial number is on a plate located on top of the flywheel housing.

The cutting platform serial number is on a plate located on the outside of the right-hand platform divider.

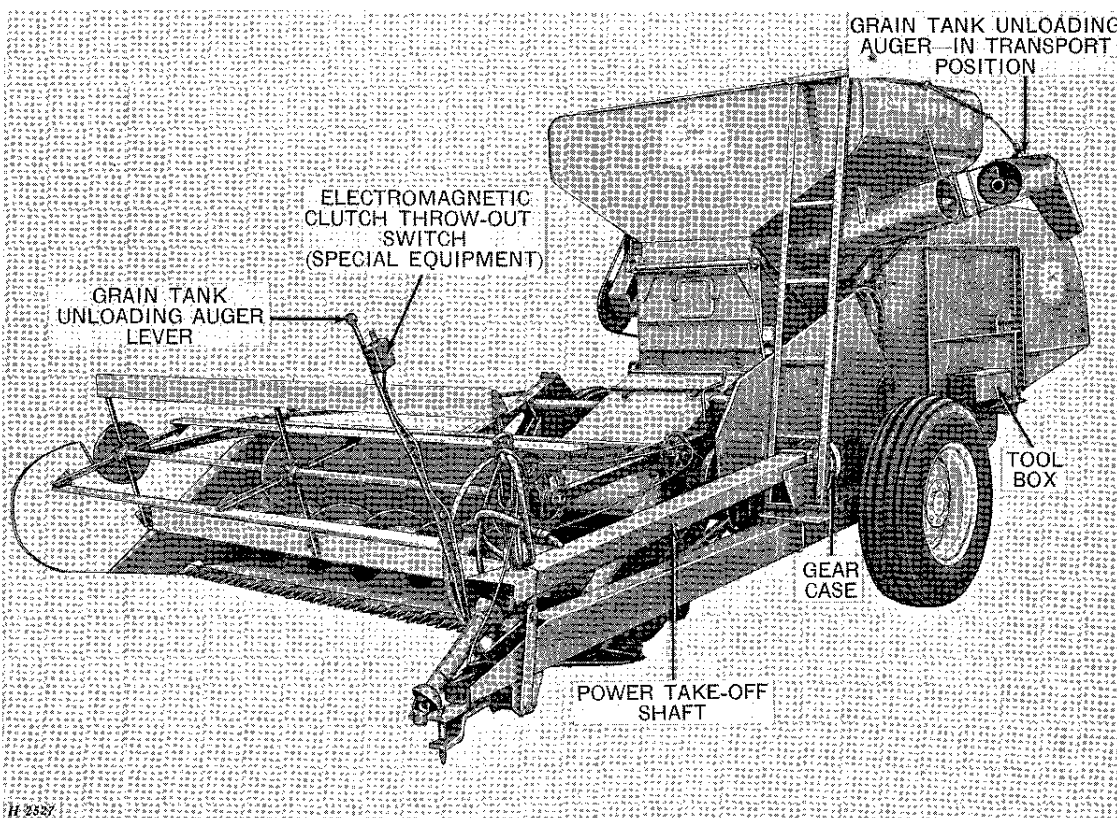
Combine Serial No. \_\_\_\_\_

Engine Serial No. \_\_\_\_\_

Cutting Platform Serial No. \_\_\_\_\_



**Right-Hand Front View—John Deere 65 Grain Tank Combine—Engine-Driven**



**Left-Hand Front View—John Deere 65 Grain Tank Combine—PTO-Driven**

## TABLE OF CONTENTS

	<i>Page</i>		<i>Page</i>
<b>GENERAL VIEWS</b> .....	1	Feeder Conveyor.....	42
<b>SPECIFICATIONS</b> .....	3-6	Cutting Platform Leveling Adjustment... .	42
<b>LUBRICATION</b> .....	7-15	Belt Pickup.....	43
<b>OPERATION</b> .....	16-33	Cylinder and Concave Grate.....	44
Combine Controls.....	16	Beater Behind the Cylinder.....	55
Adjustable Parking Stand.....	17	Grain Conveyor.....	56
Hooking Up to Tractor.....	18	Feed Rolls Attachment.....	58
Breaking in the New Combine.....	20	Cleaning Fan.....	59
Engine Break-In.....	20	Chaffer and Sieve.....	62
Before Operation Checks and Adjust- ments.....	20	Shoe Pitman.....	66
Starting the Engine.....	20	Clean Grain and Tailings Elevators.....	67
Stopping the Engine.....	21	Straw Walkers.....	69
Starting the Combine.....	21	Straw Spreader.....	71
Selecting Proper Ground Speed.....	21	Straw Chopper.....	72
Cutting Platform Height.....	21	Grain Tank Extension.....	73
Speed of Various Units.....	22	ScourKleen.....	73
Basic Settings Made at the Factory.....	23	Grain Tank Unloading Auger.....	74
Fundamentals of Combine Harvesting.....	24	Separator Drive Tightener Pulley.....	76
Operating Suggestions.....	24	Electromagnetic Throw-Out Clutch.....	77
Slip Clutches.....	23, 34	Hydraulic System.....	78
Transporting.....	26	Care of Rubber Tires.....	78
Cold Weather Operation.....	27	Care of Chains and V-Belts.....	79
Suggested Settings for Combining Various Crops.....	28	Service Chart.....	81
Safety Suggestions.....	31	<b>ENGINE SERVICE</b> .....	84-99
Care When the Season Is Over.....	32	Fuel System.....	84
Care at the Beginning of the Next Season	33	Carburetor.....	85
<b>ADJUSTMENTS AND SERVICE</b> .....	34-83	Governor.....	85
Slip Clutches.....	34	Wiring Diagram.....	87
Inspection Doors and Ports.....	34	Ignition System.....	88
Reel.....	35	Starting System.....	91
Cutter Bar.....	38	Cooling System.....	93
Cutting Platform Auger.....	40	Valve Tappet Adjustment.....	95
Cutting Platform Auger Stripper.....	41	Engine Removal.....	95
		Special Equipment.....	96
		Service Chart.....	97
		<b>ALPHABETICAL INDEX</b> .....	100-104

# SPECIFICATIONS

## COMBINE

Cutter Bar	Speed..... 680 rpm	Area..... 3,277-1/2 Sq. In.
Width of Cut. 12 Ft.	Separator	Number of
Length of	Type..... Grain Conveyor,	Steps..... Five
Cutter Bar. 11 Ft. 6 In.	Straw Walker	Drive..... V-Belt
Type of Knife	Width..... 30 In.	Bearings.... Oil-Soaked
Sections... Heavy-Duty	Length of	Maple
Over-Serrated	Separating	Extension
Reel	Surface... 140 In. (Straw	Pans..... One on Each
Drive..... Chain	Walker Pans	Walker
No. of Slats.. 4 Regular; 3, 6,	Extended)	Grain Tank
or 8 Special	Area of	Capacity.... 55-Bushel, Ap-
Dia. of Reel. 32 In. or 40 In.	Separating	prox. (Type
Speed Range. 28.1 rpm to 36.1	Surface... 4,200 Sq. In.	and Condition
rpm	Grain Conveyor	of Crop will
Cutting Platform	Type..... Slat	Determine Ac-
Type of Feed Auger	Drive..... Chain	tual Volume)
Range of Cut-	Cleaning Fan	Capacity with
ting Height. 2 In. to 30 In.	Type..... 5-Bladed Under-	Grain Tank
Height Con-	shot	Extensions
trol..... 2 Hydraulic Cyl-	Drive..... V-Belt	(Special
inders	Speed of	Equipment) .65-Bushel
Cutting Platform Auger	Range.... 602 rpm to 858	Type of Un-
Diameter.... 18 In.	rpm	loading... Hinged Auger
Dia. of Auger	Chaffer	Weights
Tube..... 10 In.	Type..... Adjustable, No.	Engine-Driven
Type of	2, No Choke,	Combine
Auger	or Petersen Ad-	with 12-Ft.
Fingers... Round Retract-	justable	Cutting
ing	Width..... 28-1/2 In.	Platform.. 6,965 Lbs.
Cylinder	Length..... 48-1/2 In.	PTO-Driven
Type..... Rasp-Bar or	Area..... 1,382-1/4 Sq. In.	Combine
Spike-Tooth	Sieve	with 12-Ft.
Width..... 30 In.	Type..... Adjustable	Cutting
Diameter.... 22 In.	Width..... 28-1/2 In.	Platform.. 5,950 Lbs. (Ap-
Number of	Length..... 45 In.	prox.)
Bars..... 8 Rasp-Bars or	Area..... 1,282-1/2 Sq. In.	Capacities (Approx.)
10 Spike-Tooth	Chaffer Extension	Fuel Tank... 40 U. S. Gallons
Bars (5 Bars	Type..... Adjustable	Cooling Sys-
with 15 Teeth	Width..... 28-1/2 In.	tem (Ra-
and 5 Bars	Length..... 12 In.	diator).... 6 U. S. Gallons
with 14 Teeth)	Area..... 342 Sq. In.	Engine
Drive..... Roller Chain	Total Cleaning	Crankcase. 4 U. S. Quarts
Speed Range. 196 rpm to 1190	Area of Chaf-	Oil Filter.... 1 U. S. Quart
rpm	fer, Sieve and	Air Cleaner.. 1 U. S. Quart
Concave	Chaffer Ex-	Hydraulic
Type..... 12-Bar Open	tension..... 3,007 Sq. In.	Unit (In-
Type or Spike-	Straw Walkers	cluding
Tooth Type	Number.... Three	Hydraulic
Width..... 30 In.	Width..... 9-1/2 In.	Oil Lines
Beater (Behind the Cylinder)	Length..... 115 In.	and Cyl-
Type..... Wing		inders).... 7 U. S. Quarts
Width..... 30 In.		Combine Di-
		mensions.... See Pages 4 and 5

Thank you so much for reading.  
Please click the “Buy Now!”  
button below to download the  
complete manual.



After you pay.

You can download the most  
perfect and complete manual in  
the world immediately.

Our support email:

[ebooklibonline@outlook.com](mailto:ebooklibonline@outlook.com)