

**JOHN DEERE NO. 12-A  
STRAIGHT-THROUGH  
COMBINE (66-INCH CUT)  
SERIAL NO. 12-65519  
AND UP**



**OPERATORS MANUAL**

JOHN DEERE NO. 12-A STRAIGHT-THROUGH  
COMBINE (66-INCH CUT) SERIAL NO. 12-65519  
AND UP

OMH31148 (01NOV48) English

**OMH31148 (01NOV48)**

LITHO IN THE U.S.A.  
ENGLISH



## FOREWORD

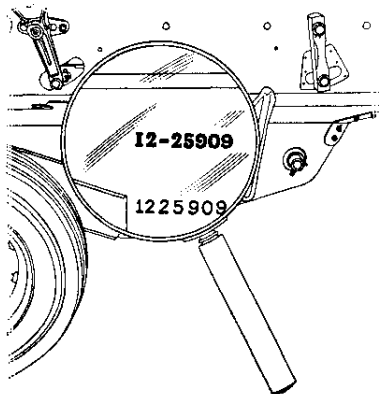
The purpose of this book is to supply useful harvesting information to owners and operators of John Deere No. 12-A "Straight-Through" Combines. This information should help in choosing the proper adjustment and special equipment required to meet each harvesting condition.

A Combine must be built to harvest a wide range of conditions. Average conditions can be handled by the standard equipment with which combine is shipped. However, unusual conditions may require some special equipment.

In addition to the standard equipment which comes with machine and the special attachments that are available at extra cost, it is sometimes necessary and advisable to make certain other equipment in the field, in order for machine to handle some unusual or purely local condition. This book contains suggestions for such special equipment. It must, of course be understood that these are only suggestions to help meet unusual situations, and therefore, they should be used only after trying all normal adjustment and recommended equipment.

Conditions vary, not only from year to year and section to section, but also from field to field. It is, therefore, obviously impossible to give definite rules for combine operation that will directly apply in every case. It is entirely possible that there are several solutions to any particular threshing problem. For this reason we give numerous suggestions, some of which may conflict. You can use the one that best suits your needs.

It is often necessary to settle on a compromise of adjustments to save the maximum amount of the crop. To illustrate, in a trashy condition where a large volume of straw stems, weed joints, etc., is being delivered to the cleaning unit along with the grain, it is advisable to open the chaffer and sieve a little wider and accept a slightly dirtier sample rather than to close the sieves and receive a cleaner sample but allow too much grain to pass out of machine with the blanket of trash.



### SERIAL NUMBER

The Serial Number of your  
Combine is .....

You will find the serial number  
stencilled and stamped on the  
L. H. side of separator just above  
the clean grain auger housing.  
Write the number in the above  
space.

Date Purchased ....., 19....

## INDEX

	<i>Page</i>
Auger Housing, Perforated Connections.....	75
Beater, Behind Cylinder.....	56-59
Beater, To Remove.....	58
Beater, Replacing Shaft.....	59
Beater Speed Adjustment.....	20, 56
Beater Teeth Covers.....	20, 56-57
Beater Teeth Covers, To Remove.....	57
Beater, Two Operating Positions.....	57-58
Beater Wrapping.....	145
Breaking in the New Combine.....	16
Canvases, Care of.....	38
Canvases, Catching or Stopping.....	140
Canvases, Operating Suggestions.....	39
Canvases, To Shorten.....	39
Canvas Rollers Binding.....	140
Chaffer, Adjustable.....	69
Chaffer, Adjustable, To Remove.....	69
Chaffer Extension, No-Choke.....	73
Chaffer Setting.....	20
Chains.....	82
Chart, Speeds of Various Units.....	78
Clean Grain Elevator.....	74-75
Cleaning Fan.....	67-68
Cleaning Fan Blast Adjustment.....	67
Cleaning Fan Sheaves, Regular and Special.....	67
Cleaning Fan Windboard.....	68
Cleaning Fan Valves.....	68
Cleaning Units.....	66
Cleaning Shoe.....	69-73
Cleaning Shoe, Dividers for Sloping Land.....	72
Cleaning Shoe, Grain "Going Over".....	147
Cleaning Shoe Overloaded.....	146-147
Cleaning Shoe, Special Equipment.....	72-73
Cleaning Shoe, To Remove.....	70-71
Cleaning Troubles.....	146-147
Concave Rasp Bar.....	52
Conveyor Chain Below Straw Rack, Care of.....	65
Combine Operating Adjustments.....	24
Combining Various Crops.....	89-138
Alfalfa.....	103-108
Barley.....	89-91
Beans, Baby Lima.....	95-96
Beans, Black-Eye.....	96

## INDEX—Continued

	<i>Page</i>
Combining Various Crops—Continued	
Beans, Edible.....	92-98
Beans, Great Northern.....	96-97
Beans, Kidney.....	97
Beans, Navy.....	97
Beans, Pinto.....	97-98
Beans, Soy.....	99-102
Buckwheat.....	102-103
Clover.....	103-111
Clover, Alsike.....	109
Clover, Big English.....	109
Clover, Crimson.....	109-110
Clover, Dutch.....	109
Clover, Fenugreek.....	110
Clover, Hop.....	110
Clover, Red.....	110
Clover, Sweet.....	111
Clover, Yellow Blossom.....	111
Crotalaria.....	111-113
Flax.....	113-117
Grass, Blue.....	121
Grass, Brome.....	121-122
Grass, Canary.....	122
Grass, Carpet.....	122
Grass, Crested Wheat.....	122-123
Grass, Fescue.....	123
Grass, Johnson.....	123
Grass, Millet.....	123
Grass, Orchard.....	124
Grass, Red Top.....	124
Grass, Rhodes.....	124
Grass, Rye.....	124-125
Grass, Seeds.....	117-125
Lespedeza.....	125-128
Millet, Hog.....	125
Mustard.....	128-129
Oats.....	130
Peas, Edible.....	92-98
Peas, Field.....	98
Peas, Scotch Green.....	98
Peas, Willets Wonder.....	98

## INDEX—Continued

	<i>Page</i>
Combining Various Crops—Continued	
Proso.....	125
Radish Seed.....	130-131
Rye.....	131
Sorghums.....	131-134
Timothy.....	135-136
Wheat.....	137-138
Crops, Down and Tangled.....	142
Cross-Sectional View.....	22-23
Cutter Bar and Dividers.....	32-37
Cutter Bar, Care of.....	33-35
Cutter Bar Losses.....	141-142
Cutter Bar, Reinforcement.....	37, 126
Cutter Bar, Special Equipment.....	37
Cutting Troubles.....	140-142
Cylinder.....	41-51
Cylinder, Back Feeding.....	143-144
Cylinder, Cracking Grain.....	144-145
Cylinder, Extra Channel Bars.....	50
Cylinder, Extra Rasp Bars.....	51
Cylinder, Filler Blocks for Back Side of Rasp Bars.....	49
Cylinder Rasp Bars.....	46
Cylinder, To Remove.....	47-48
Cylinder, Slugging of.....	143
Cylinder, Slow Speed Attachment.....	49
Cylinder and Concave Spacing.....	20, 45-46
Cylinder Speeds.....	20, 41-44
Cylinder, Special Equipment.....	49-51
Deflector Curtains.....	60
Deflector Curtains, Operating Suggestions.....	60
Deflector Curtains, Two Positions.....	60
Divider.....	32-37
Divider, Extension.....	37
Divider, Inside Loop.....	36
Divider, Runner Shoe for Outside Divider.....	126
Divider, Special Equipment.....	36-37
Factory Settings.....	20
Feeder Canvas.....	40
Feeder Throat Adjustment.....	40
Feeding Troubles.....	142-143
Field Operation.....	85-87

Thank you so much for reading.  
Please click the “Buy Now!”  
button below to download the  
complete manual.



After you pay.

You can download the most  
perfect and complete manual in  
the world immediately.

Our support email:

[ebooklibonline@outlook.com](mailto:ebooklibonline@outlook.com)