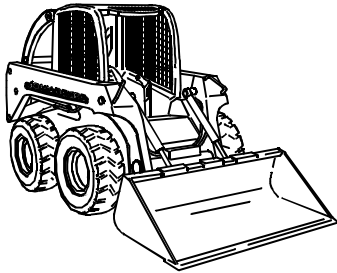


# Hydraulic Breaker HB15, HB30, HB50 and HB75 for 240, 250, 260, 270 and 4475, 5575, 6675, 7775, 8875 Skid Steers

(Serial No. 100100 – )



## OPERATOR'S MANUAL

John Deere  
Commercial Worksite Products

OMKV16791 C9

North American Version  
Litho in U.S.A  
English

# INTRODUCTION

---

---

**THANK YOU for purchasing a John Deere product.**

Read this manual and your vehicle manual thoroughly. Failure to do so could result in personal injury or equipment damage.



This manual should be considered a permanent part of your attachment and should remain with the attachment when you sell it.

Measurements in this manual are metric units and their U.S. customary equivalents. RIGHT-HAND and LEFT-HAND sides are determined by facing in the direction the machine will travel when going forward. When you see a broken line arrow (----->) it indicates the part it is pointing to is hidden.

Record identification numbers below. Be sure to record all the numbers to help in tracing the attachment if it is stolen. You also need to give these numbers to your John Deere skid steer dealer when you order parts.

**DATE OF PURCHASE:**

\_\_\_\_\_

**DEALER NAME:**

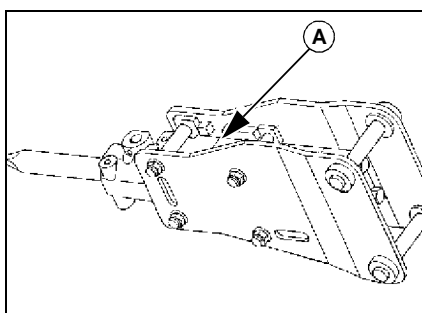
\_\_\_\_\_

**DEALER PHONE:**

\_\_\_\_\_

**SERIAL NUMBER (A):**

\_\_\_\_\_



## TABLE OF CONTENTS

---

---

	Page
<b>Safety Signs</b> .....	<b>1</b>
<b>Preparing the Vehicle</b> .....	<b>2</b>
<b>Installing</b> .....	<b>3</b>
<b>Removing</b> .....	<b>8</b>
<b>Operating</b> .....	<b>10</b>
<b>Replacement Parts</b> .....	<b>23</b>
<b>Service Machine Safely</b> .....	<b>24</b>
<b>Service Interval Chart</b> .....	<b>27</b>
<b>Service</b> .....	<b>28</b>
<b>Troubleshooting</b> .....	<b>32</b>
<b>Storing Machine</b> .....	<b>34</b>
<b>Assembly</b> .....	<b>35</b>
<b>Specifications</b> .....	<b>36</b>
<b>Warranty</b> .....	<b>40</b>
<b>Index</b> .....	<b>41</b>
<b>John Deere Service Literature</b> .....	<b>45</b>

All information, illustrations and specifications in this manual are based on the latest information at the time of publication. The right is reserved to make changes at any time without notice.

COPYRIGHT© 1999  
John Deere Commercial Worksite Products  
Knoxville, Tennessee

# SAFETY SIGNS

## Safety-Alert Symbol

Read and recognize safety information. Be alert to the potential for personal injury when you see this safety-alert symbol.

On your machine safety labels, the words DANGER, WARNING, and CAUTION are used with this safety-alert symbol. DANGER identifies the most serious hazards. In this manual, the word CAUTION and this symbol call attention to safety messages.



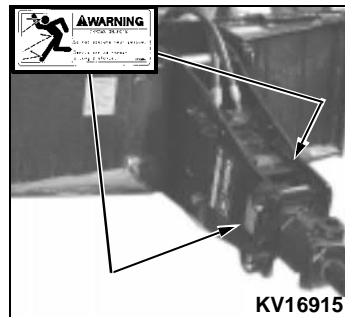
## Attachment Safety Labels

### WARNING: Thrown Objects

- Do not operate near people.
- Debris can be thrown a long distance.

### DANGER

1. A projectile from the hammer, hammer tool, or work, and/or a swinging or falling hammer can be fatal to the operator or bystanders.
2. Do not operate hammer when bystanders are in work area.
3. The operator must be protected from flying debris. Use personal protection equipment.
4. Do not weld, cut with acetylene torch or hardface the hammer tool.



**IMPORTANT:** See OM for safety instruction details.

# PREPARING THE VEHICLE

---

---

## Skid Steer Equipment Requirements



**CAUTION:** To avoid injury skid steer must be equipped with the following:

- Demolition Door Kit
- Shoulder Belt Kit

The skid steer must be equipped with the Demolition Door Kit and the Shoulder Belt Kit. If your unit is not equipped with this equipment, see your authorized John Deere skid steer dealer.



Model 4475 skid steers also require boom hydraulics and hand control handle kits for hydraulic breaker operation. If your unit is not equipped with this equipment, see your authorized John Deere skid steer dealer.

### Ballasting

Rear ballast is not required to operate the hydraulic breaker, but may enhance vehicle stability. Ballasting kits are available from your authorized John Deere skid steer dealer.

Thank you so much for reading.  
Please click the “Buy Now!”  
button below to download the  
complete manual.



After you pay.

You can download the most  
perfect and complete manual in  
the world immediately.

Our support email:

[ebooklibonline@outlook.com](mailto:ebooklibonline@outlook.com)