

JOHN DEERE
WORLDWIDE COMMERCIAL & CONSUMER
EQUIPMENT DIVISION

Front Hitch

OMLVU20198 A8

OPERATOR'S MANUAL



JOHN DEERE

All information, illustrations and specifications in this manual are based on the latest information at the time of publication. The right is reserved to make changes at any time without notice.

COPYRIGHT© 2008
Deere & Co.

John Deere Worldwide Commercial and Consumer Equipment Division

All rights reserved
Previous Editions
COPYRIGHT© 2007

Export Version
Litho in U.S.A.

INTRODUCTION

Introduction

Using Your Operator's Manual

Read this entire operator's manual, especially the safety information, before operating.

This manual is an important part of your machine. Keep all manuals in a convenient location so they can be accessed easily.

Use the safety and operating information in the attachment operator's manual, along with the machine operator's manual, to operate and service the attachment safely and correctly.

If your attachment manual has a section called Preparing the Machine, it means that you will have to do something to your tractor or vehicle before you can install the attachment. The Assembly and Installation sections of this manual provide information to assemble and install the attachment to your tractor or vehicle. Use the Service section to make any needed adjustments and routine service to your attachment.

If you have any questions or concerns with the assembly, installation, or operation of this attachment, see your local John Deere dealer or call the John Deere Customer Contact Center at 1-800-537-8233 for assistance.

Warranty information on this John Deere attachment can be found in the warranty that came with your John Deere tractor or vehicle.

Product Identification

Product Compatibility

The front hitch is designed for use with a John Deere compact utility tractor.

Contact your John Deere dealer for specific tractor compatibility information.

To install a drive over mid-mount mower on a tractor with this front hitch, a mower pivot assembly kit must also be installed.

Record Purchase Information

Record your purchase information in the spaces provided below.

DATE OF PURCHASE:

DEALER NAME:

DEALER PHONE:

PRODUCT SERIAL NUMBER:

Safety

Read Safety in Machine Operator's Manual

Read the general safety operating precautions in your machine operator's manual for additional safety information.

Operate Safely

- Read the machine and attachment operator's manual carefully. Be thoroughly familiar with the controls and the proper use of the equipment. Know how to stop the machine and disengage the controls quickly.
- Only allow responsible adults, who are familiar with the instructions to operate the machine.

- Inspect machine before you operate. Be sure hardware is tight. Repair or replace damaged, badly worn, or missing parts. Be sure guards and shields are in good condition and fastened in place. Make any necessary adjustments before you operate.

- If you hit an object, stop the machine and inspect it. Make repairs before you operate. Keep machine properly maintained and in good working order. Keep all shields and guards in place.

- Use recommended ballast.

- Look behind machine before you back up. Back up carefully.

- Do not let anyone, especially children, ride on machine or attachment. Riders are subject to injury such as being struck by foreign objects and being thrown off. Riders may also obstruct the operator's view, resulting in the machine being operated in an unsafe manner.

- Slow down before turning. Avoid sudden turns.

Parking Safely

1. Stop machine on a level surface, not on a slope.

2. Disengage PTO and stop attachments.

3. Lower attachments to the ground.

4. Lock park brake.

5. Stop engine.

6. Remove key.

7. Wait for engine and all moving parts to stop before you leave the operator's station.

8. Close fuel shut-off valve, if your machine is equipped.

9. Disconnect the negative (-) battery cable before servicing the machine.

Stay Clear of Rotating Drivelines

Entanglement in rotating driveline can cause serious injury or death.

- Wear close fitting clothing.

- Stop the engine and be sure PTO driveline is stopped before getting near it.

Practice Safe Maintenance

- Only qualified, trained adults should service this machine.

- Understand service procedure before doing work. Keep area clean and dry.

- Do not operate the engine in a confined space where dangerous carbon monoxide fumes can collect.

- Never lubricate, service or adjust the machine or attachment while it is moving. Keep safety devices in place and in working condition. Keep hardware tight.

- Keep hands, feet, clothing, jewelry, and long hair away from any moving parts, to prevent them from getting caught.

- Lower any attachment completely to the ground or to an existing attachment mechanical stop before servicing the attachment. Disengage all power and stop the engine. Lock park brake and remove the key. Let machine cool.

- Disconnect battery or remove spark plug wire (for gasoline engines) before making any repairs.

- Before servicing machine or attachment, carefully release pressure from any components with stored energy, such as hydraulic components and springs.

- Release hydraulic pressure by lowering attachment or cutting units to the

PREPARING VEHICLE

ground or to a mechanical stop and move hydraulic control levers.

- Securely support any machine or attachment elements that must be raised for service work. Use jack stands or lock service latches to support components when needed.
- Never run engine unless park brake is locked.
- Keep all parts in good condition and properly installed. Fix damage immediately. Replace worn or broken parts. Replace all worn or damaged safety and instruction decals.
- Check all hardware at frequent intervals to be sure the equipment is in safe working condition.
- Do not modify machine or safety devices. Unauthorized modifications to the machine or attachment may impair its function and safety.



Avoid High Pressure Fluids

- Hydraulic hoses and lines can fail due to physical damage, kinks, age, and exposure. Check hoses and lines regularly. Replace damaged hoses and lines.

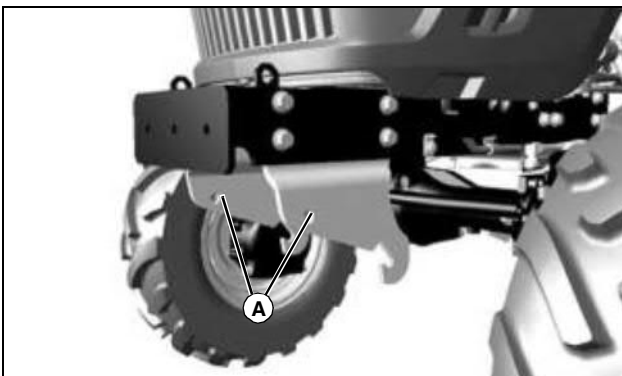
- Hydraulic fluid connections can loosen due to physical damage and vibration. Check connections regularly. Tighten loose connections.
- Escaping fluid under pressure can penetrate the skin causing serious injury. Avoid the hazard by relieving pressure before disconnecting hydraulic or other lines. Tighten all connections before applying pressure.
- Search for leaks with a piece of cardboard. Protect hands and body from high pressure fluids.
- If an accident occurs, see a doctor immediately. Any fluid injected into the skin must be surgically removed within a few hours or gangrene may result. Doctors unfamiliar with this type of injury should reference a knowledgeable medical source. Such information is available from Deere & Company Medical Department in Moline, Illinois, U.S.A. Information may be obtained in the United States and Canada only by calling 1-800-822-8262.

Preparing Vehicle

Prepare Tractor

1. Park machine safely. (See Parking Safely in SAFETY.)
2. Remove front weights if installed.

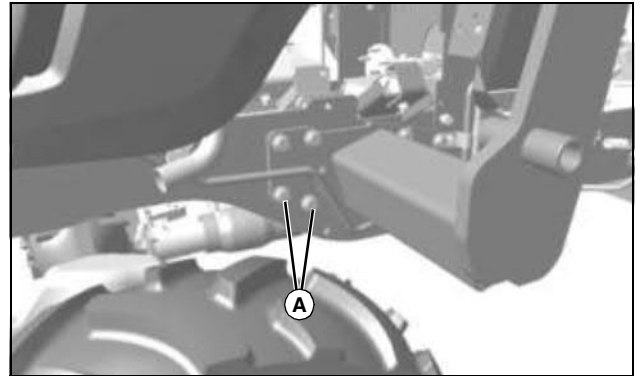
Tractor With Mid-Mount Mower



MX35248

1. Remove frame attachment brackets (A) if mid-mount mower was installed.

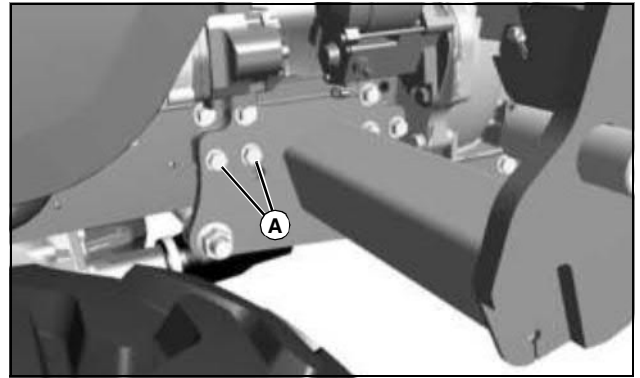
Tractor With Loader (2320)



MX36192

1. Remove 2 capscrews (A) on both sides of machine.

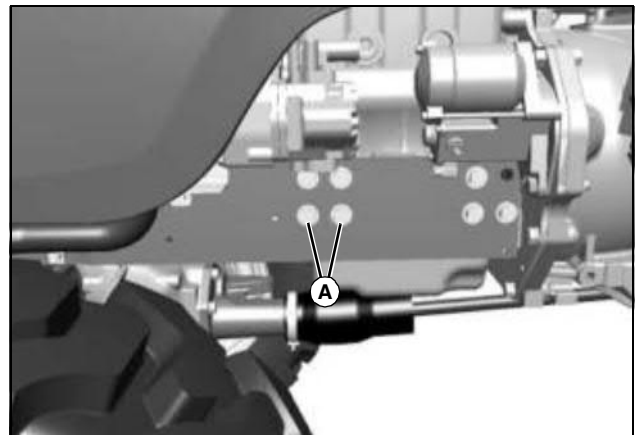
Tractor With Loader (2520)



MX40260

1. Remove 2 capscrews (A) on both sides of machine.

Tractor Without Loader (2520)

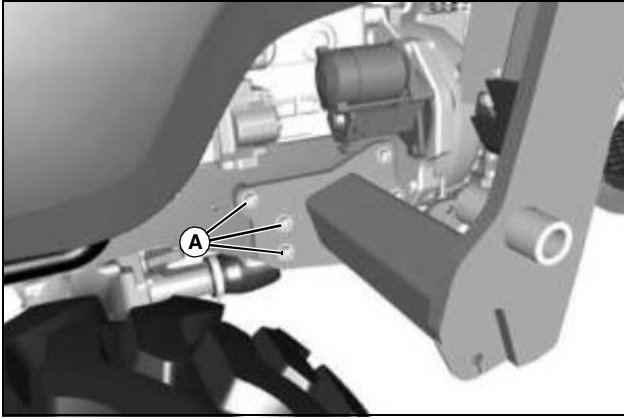


MX40261

1. Remove two capscrews (A) from both sides of machine.

PREPARING VEHICLE

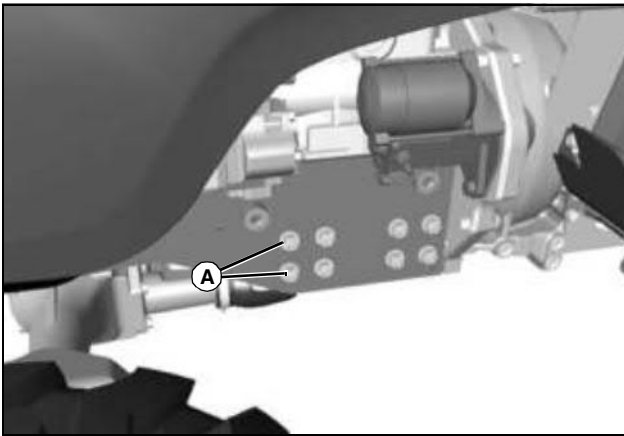
Tractor With Loader (2720)



MX40262

1. Remove three capscrews (A) from both sides of machine.

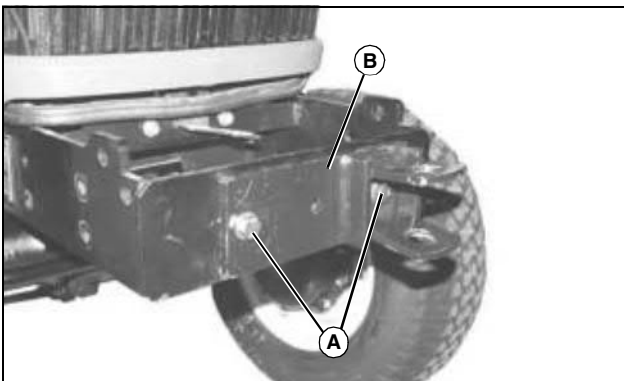
Tractor Without Loader (2720)



MX40263

1. Remove two capscrews (A) from both sides of machine.

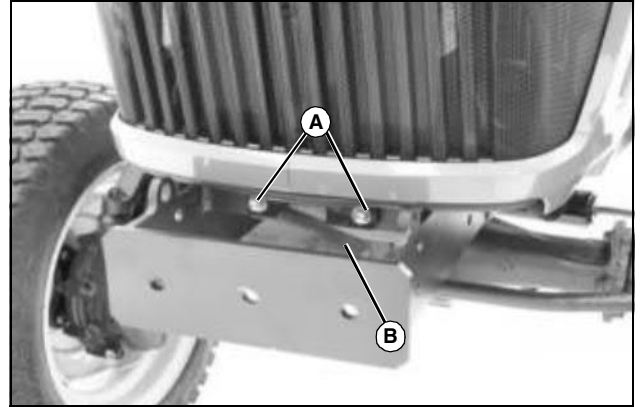
Remove Tow Hitch



MX36194

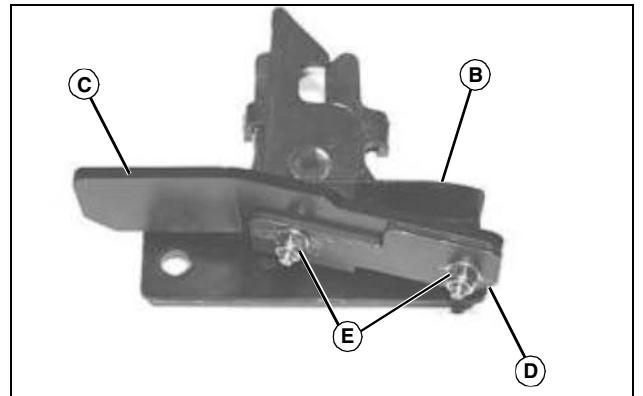
1. Remove nuts, bolts (A) and hitch.
2. Tow hitch may be installed again after front hitch is installed, if desired.

Remove Hood Latch Bracket (2520, 2720)



MX35671

1. Raise and secure hood.
2. Remove two capscrews (A) and hood latch assembly (B).



MX36198

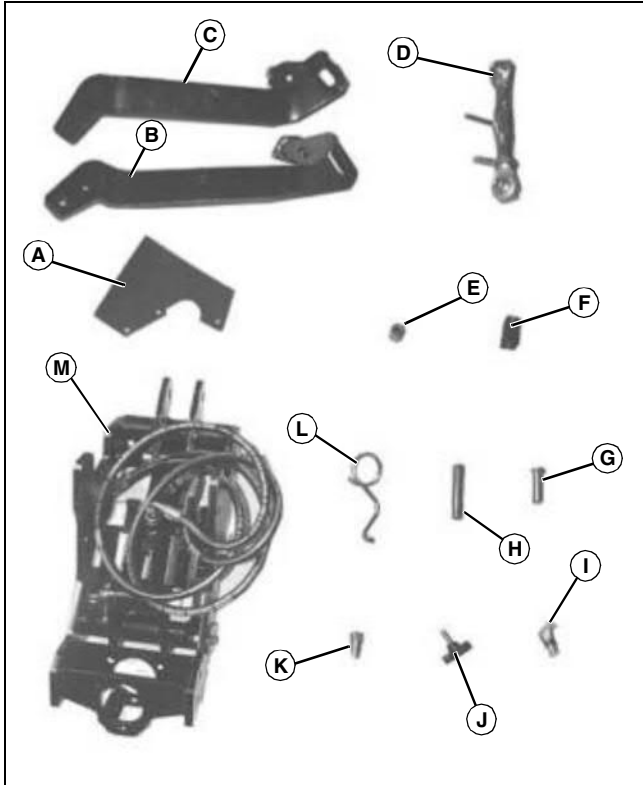
3. Align bracket (C) onto assembly (B), with notched corner (D) and sides parallel, as shown. Mark hole location through holes in bracket (C) and into assembly (B).
4. Drill two 7 mm (9/32 in.) holes at marked locations in assembly, and install bracket with two M6x30 bolts and M6 locknuts (E), as shown. Tighten hardware to 17 N•m (150 lb-in.).
5. Keep assembly and two capscrews for installation after hitch is installed.

ASSEMBLY

Assembly

Parts

Hitch Parts

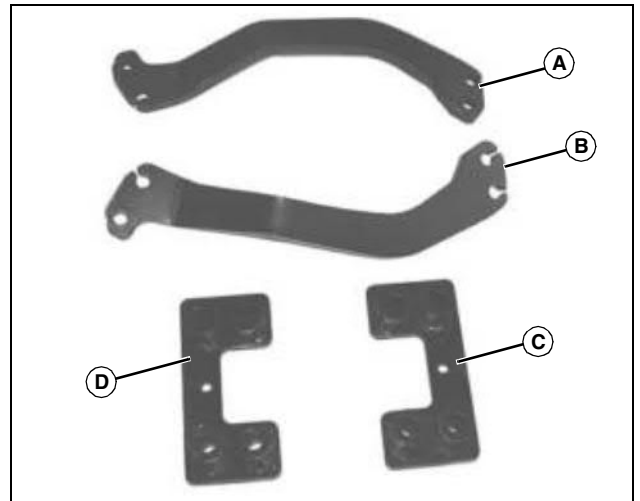


MX36081

Qty.	Description
2	PTO Shield (A)
1	Lift Arm, Right (B)
1	Lift Arm, Left (C)
1	Center Link (D)
1	Spacer (E)
1	Clamp, Hose Support (F)
4	Pin, Headed (G)
1	Link Pin (H)
2	Elbow Fitting, 45 degree (I)
2	Wing Bolt (J)
2	Coupler, Quick Coupler, Male, (K)
1	Hanger (L)
1	Front Hitch Assembly (M)
4	Bolt, M14x55
8	Washer, M14

Qty.	Description
4	Locknut, M14
2	Bolt, M12x55
2	Washer, M12
2	Locknut, M12
4	Bolt, M6x25
8	Washer, M6
4	Locknut, M6
1	Bolt, M8x30
1	Bolt, M8x70 (2520)
1	Bolt, M10x100 (2320)
2	Locknut, M8
1	Dust Plug, Black
1	Dust Plug, Green
2	Tie Strap
1	Hose Guard

Mounting Kit (2320)



MX36082

Qty.	Description
1	Frame Brace (A)
1	Frame Brace (B)
1	Frame Spacer (C)
1	Frame Spacer (D)
6	Bolt, M12x130*
8	Bolt, M12x110
4	Bolt, M12x60

Thank you so much for reading.
Please click the “Buy Now!”
button below to download the
complete manual.



After you pay.

You can download the most
perfect and complete manual in
the world immediately.

Our support email:

ebooklibonline@outlook.com