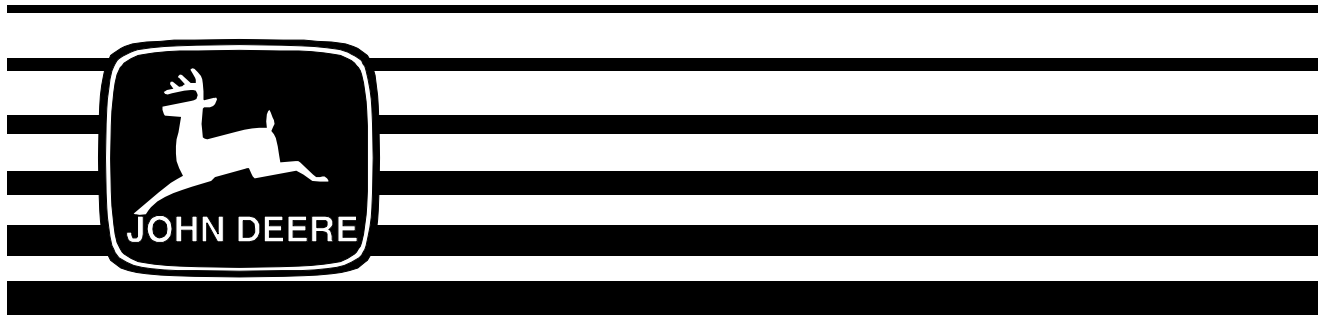


# **GATOR® Utility Vehicles**

**4x2** Serial No. (039280 - )

**6x4** Serial No. (039289 - )



# **OPERATOR'S MANUAL**

**John Deere**  
**Worldwide Commercial And**  
**Consumer Equipment Division**  
**OMM136970 K8**

**Export/European Version**  
**Litho in U.S.A.**

**English**

# INTRODUCTION

---

**READ THIS MANUAL** carefully to learn how to operate and service your machine correctly. Failure to do so could result in personal injury or equipment damage. This manual and safety signs on your machine may also be available in other languages (see your John Deere dealer to order).

**THIS MANUAL SHOULD BE CONSIDERED** a permanent part of your machine and should remain with the machine when you sell it.

**MEASUREMENTS** in this manual are given in both metric and customary U.S. unit equivalents. Use only correct replacement parts and fasteners. Metric and inch fasteners may require a specific metric or inch wrench.

**RIGHT-HAND AND LEFT-HAND** sides are determined by facing the direction of forward travel.

**SETTING FUEL DELIVERY BEYOND PUBLISHED** factory specifications or otherwise overpowering will result in loss of warranty protection for this machine.

**BEFORE DELIVERING THIS MACHINE**, your dealer performed a predelivery inspection to ensure best performance.

**THIS UTILITY VEHICLE IS DESIGNED SOLELY** for use in customary agricultural and forestry operations, for park and amenity area maintenance, and for winter work. Use in any other way is considered as contrary to the intended use.

The manufacturer accepts no liability for damage or injury resulting from this misuse, and these risks must be borne solely by the user. Compliance with and strict adherence to the conditions of operation, service and repair as specified by the manufacturer also constitute essential elements for the intended use.

**THIS UTILITY VEHICLE SHOULD BE OPERATED**, serviced and repaired only by persons familiar with all its particular characteristics and acquainted with the relevant safety rules (accident prevention). The accident prevention regulations, all other generally recognized regulations on safety and occupational medicine and the road traffic regulations must be observed at all times.

Any arbitrary modifications carried out on this tractor will relieve the manufacturer of all liability for any resulting damage or injury.

# INTRODUCTION

---

**WRITE PRODUCT IDENTIFICATION NUMBERS (P.I.N.)** in the space provided below. Accurately record all the numbers to help in tracing the machine should it be stolen. Your dealer also needs these numbers when you order parts. File the identification numbers in a secure place off the machine.

**DATE OF PURCHASE:**

\_\_\_\_\_

**DEALER NAME:**

\_\_\_\_\_

**DEALER PHONE:**

\_\_\_\_\_

**PRODUCT IDENTIFICATION NUMBER (A):**

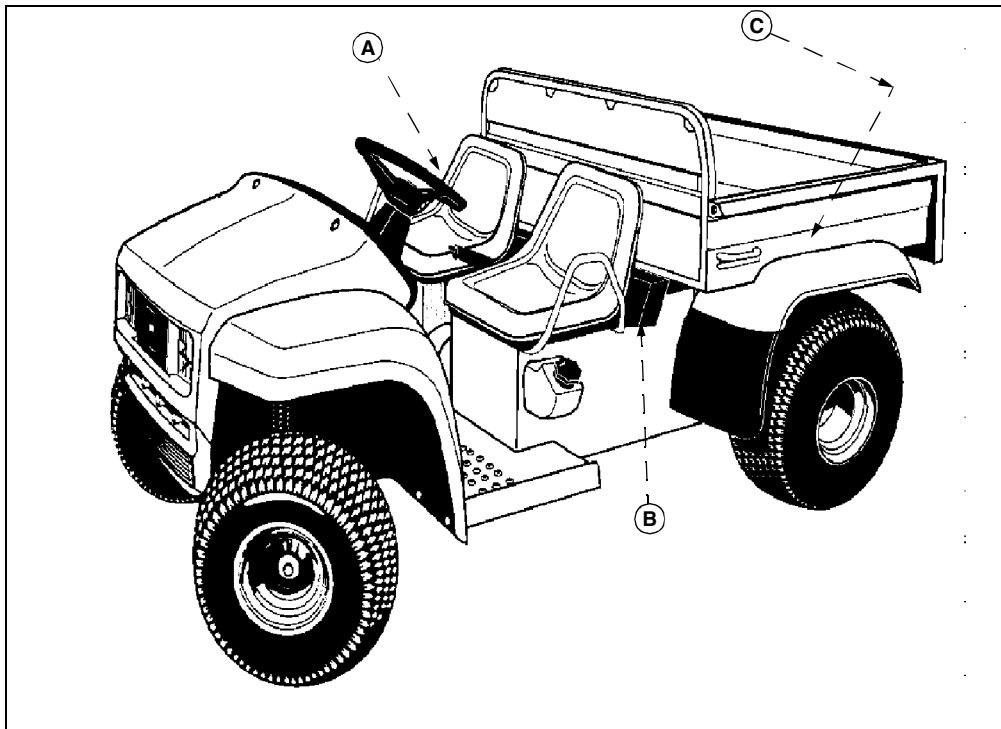
-----

**ENGINE SERIAL NUMBER (B):**

-----

**IDENTIFICATION NUMBER ROAD HOMOLOGATED GATOR (C):**

\_\_\_\_\_



---

# TABLE OF CONTENTS

---

Safety Signs . . . . .	1
Controls . . . . .	5
Operating Machine . . . . .	7
Operating Road Homologated Features . . . . .	34
Replacement Parts . . . . .	44
Service Machine Safely . . . . .	45
Service Interval Chart . . . . .	48
Service Engine . . . . .	51
Service Transmission . . . . .	66
Service Electrical . . . . .	74
Service Miscellaneous . . . . .	84
Troubleshooting . . . . .	90
Storing Machine . . . . .	93
Assembly . . . . .	96
Specifications . . . . .	116
Index . . . . .	126


All information, illustrations and specifications in this manual are based on the latest information at the time of publication. The right is reserved to make changes at any time without notice.

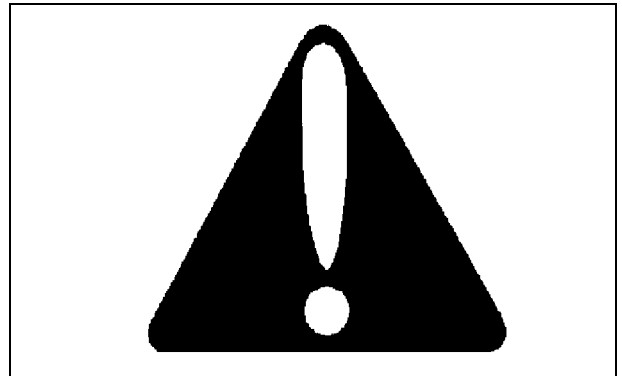
COPYRIGHT© 1998  
Deere & Co.  
John Deere Worldwide Commercial and  
Consumer Equipment Division  
Horicon, WI  
All rights reserved  
Previous Editions  
COPYRIGHT© 1996 and 1994

OMM136970 K8

# SAFETY SIGNS

## Pictorial Safety Signs

At several important places on this machine safety signs are affixed intended to signify potential danger. The hazard is identified by a pictorial in a warning triangle . An adjacent pictorial provides information how to avoid personal injury. These safety signs, their placement on the machine and a brief explanatory text are shown in this Safety Signs section.



### Park Vehicle Safely

Before leaving vehicle

- Stop Engine.
- Set Park Brake.
- Remove Key.



### Read Operator's Manual

Carefully read Operator's Manual before handling the machine. Observe instructions and safety rules when operating.



## SAFETY SIGNS

### **WARNING: Young Drivers Increase Chance Of Death**

- Young drivers may not be able to control vehicle.
- NO drivers younger than 16 years old.



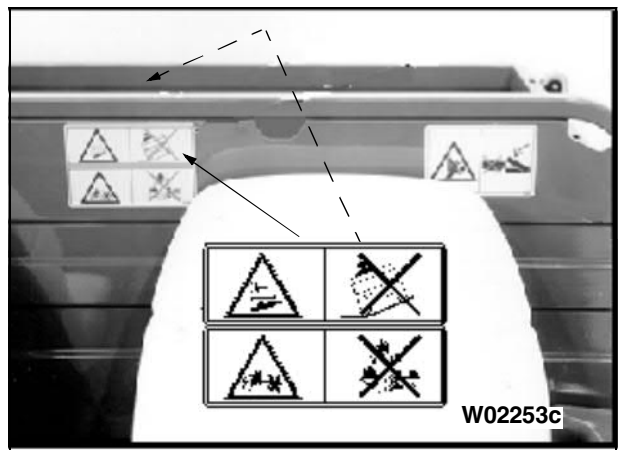
### **WARNING: Riders Can Fall Off And Be Killed**

- Maximum of one person to a seat.
- No riders in box or anywhere else.

### **Rollover Or Falling Off May Cause Death.**

Picture Note: Decal is on both side of load guard.

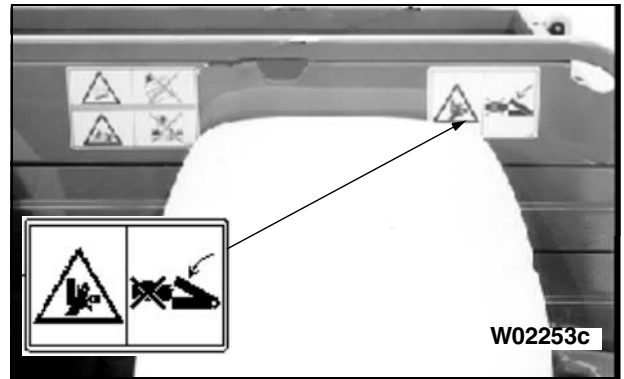
- Read Operator's manual.
- Drive very slowly when turning.
- Always brake going down a slope. Vehicle can take-off (freewheel) downhill.
- No loads heavier than 227 kg (500 lbs) in 4x2, 363 kg (800 lbs. in 6x4 Diesel. Spread loads evenly. Tie loads down.
- Reduce speed and load on rough or hilly ground.



## SAFETY SIGNS

### CAUTION: Help Prevent Injury When Dumping Loads

- operate dump with machine stationary and parking brake locked.
- Never dump while moving.
- Operate dump on level ground only.
- Operate dump from operator's seat only.
- Do Not place hands behind the seat when lowering box.
- Refer to Operator's Manual for correct load distribution.

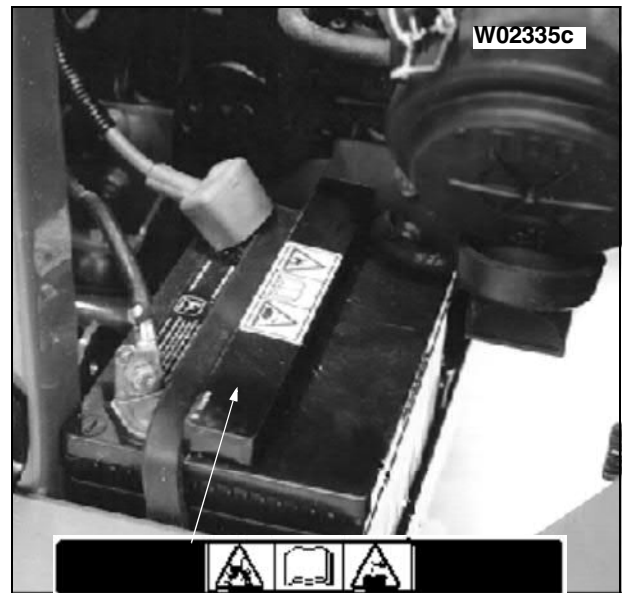


### DANGER: Explosive Gases

Cigarettes, flames or sparks could cause battery to explode. Always shield eyes and face from battery. Do not charge or use booster cables or adjust post connections without proper instruction and training. Keep vent as tight and level

### Poison Causes Severe Burns

Contain sulfuric acid. Avoid contact with skin, eyes or clothing. In event of accident, flush with water and call a physician immediately. Keep out of reach of children.



**Buy Now**



Our support email:

[ebooklibonline@outlook.com](mailto:ebooklibonline@outlook.com)