


JOHN DEERE
WORLDWIDE COMMERCIAL & CONSUMER
EQUIPMENT DIVISION

Utility Vehicle ProGator®
2020
2030
OMM144529 K0
OPERATOR'S MANUAL



 **WARNING:** The Engine Exhaust from this product contains chemicals known to the State of California to cause cancer, birth defects or other reproductive harm.

California Proposition 65 Warning

North American Version
Litho in U.S.A.

INTRODUCTION

Thank You for Purchasing a John Deere Product

We appreciate having you as a customer and wish you many years of safe and satisfied use of your machine.

Using Your Operator's Manual

This manual is an important part of your machine and should remain with the machine when you sell it.

Reading your operator's manual will help you and others avoid personal injury or damage to the machine. Information given in this manual will provide the operator with the safest and most effective use of the machine. Knowing how to operate this machine safely and correctly will allow you to train others who may operate this machine.

This manual and safety signs on your machine may also be available in other languages (see your John Deere dealer to order).

Sections in your operator's manual are placed in a specific order to help you understand all the safety messages and learn the controls so you can operate this machine safely. You can also use this manual to answer any specific operating or servicing questions. A convenient index located at the end of this book will help you to find needed information quickly.

The machine shown in this manual may differ slightly from your machine, but will be similar enough to help you understand our instructions.

RIGHT-HAND and LEFT-HAND sides are determined by facing in the direction the machine will travel when going forward. When you see a broken line arrow (----->), the item referred to is hidden from view.

Before delivering this machine, your dealer performed a predelivery inspection to ensure best performance.

Special Messages

Your manual contains special messages to bring attention to potential safety concerns, machine damage as well as helpful operating and servicing information. Please read all the information carefully to avoid injury and machine damage.



CAUTION: Avoid injury! This symbol and text highlight potential hazards or death to the operator or bystanders that may occur if the hazards or procedures are ignored.

IMPORTANT: Avoid damage! This text is used to tell the operator of actions or conditions that might result in damage to the machine.

NOTE: General information is given throughout the manual that may help the operator in the operation or service of the machine.

PRODUCT IDENTIFICATION

Record Identification Numbers

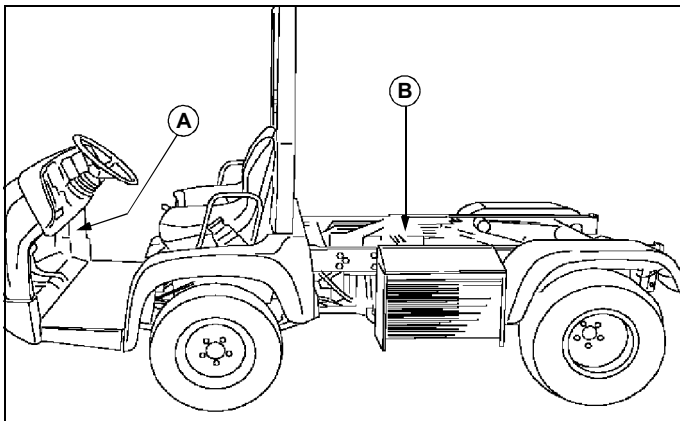
Utility Vehicle ProGator®

2020 Serial No. (020001 -)

2030 Serial No. (020001 -)

If you need to contact an Authorized Service Center for information on servicing, always provide the product model and serial number.

You will need to locate the model and serial number for the machine and for the engine of your machine and record the information in the spaces provided below.



DATE OF PURCHASE:

DEALER NAME:

DEALER PHONE:

PRODUCT IDENTIFICATION NUMBER (A):

ENGINE SERIAL NUMBER (B):

TABLE OF CONTENTS

Safety	1
Operating	11
Replacement Parts	25
Service Intervals	26
Service Engine	28
Service Transmission.....	41
Service - Hydraulics	45
Service Steering & Brakes.....	49
Service Electrical.....	52
Service Miscellaneous.....	57
Troubleshooting	61
Storage	66
Assembly	68
Specifications	70
Warranty	74
Index.....	80

All information, illustrations and specifications in this manual are based on the latest information at the time of publication. The right is reserved to make changes at any time without notice.

COPYRIGHT© 2000
Deere & Co.

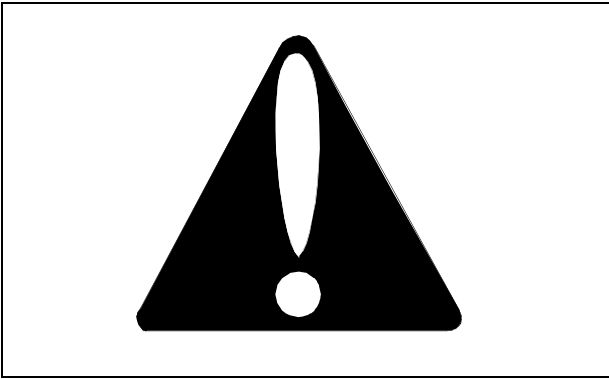
John Deere Worldwide Commercial and
Consumer Equipment Division
Horicon, WI

All rights reserved
Previous Editions
COPYRIGHT© 1999

OMM144529 K0 - English

SAFETY

Understanding The Machine Safety Labels

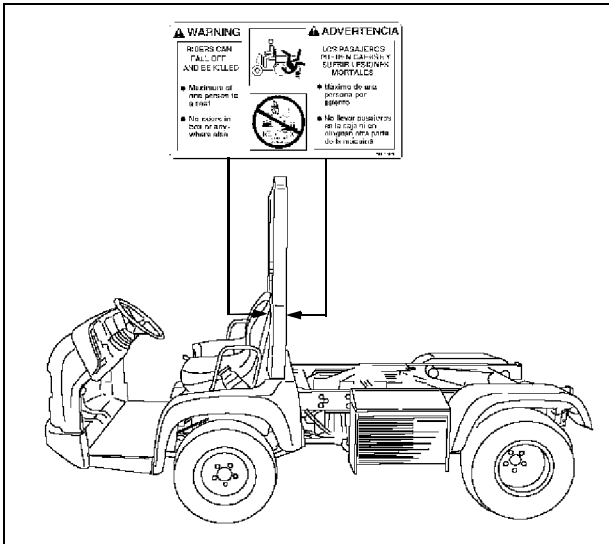


The machine safety labels shown in this section are placed in important areas on your machine to draw attention to potential safety hazards.

On your machine safety labels, the words DANGER, WARNING, and CAUTION are used with this safety-alert symbol, (▲). DANGER identifies the most serious hazards.

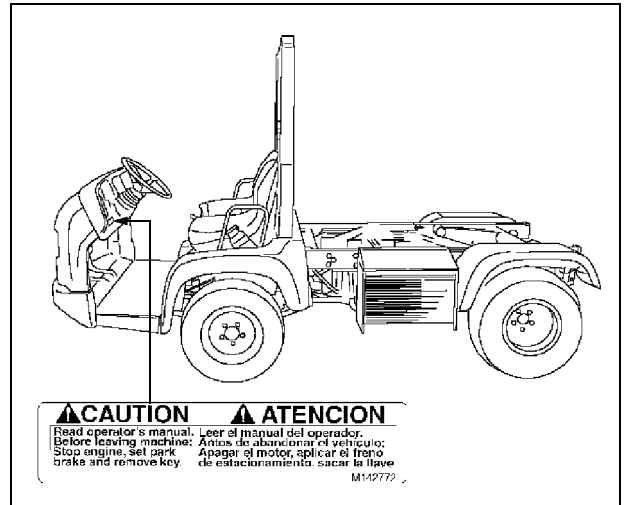
The operator's manual also explains any potential safety hazards whenever necessary in special safety messages that are identified with the word, CAUTION, and the safety-alert symbol, (▲).

WARNING: RIDERS CAN FALL OFF AND BE KILLED



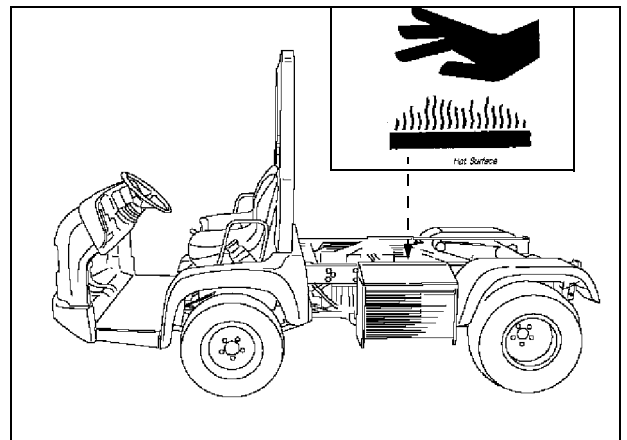
- Maximum of one person to a seat
- No riders in box or anywhere else

CAUTION



Read operator's manual. Before leaving machine: Stop engine, set park brake and remove key.

WARNING—HOT SURFACE

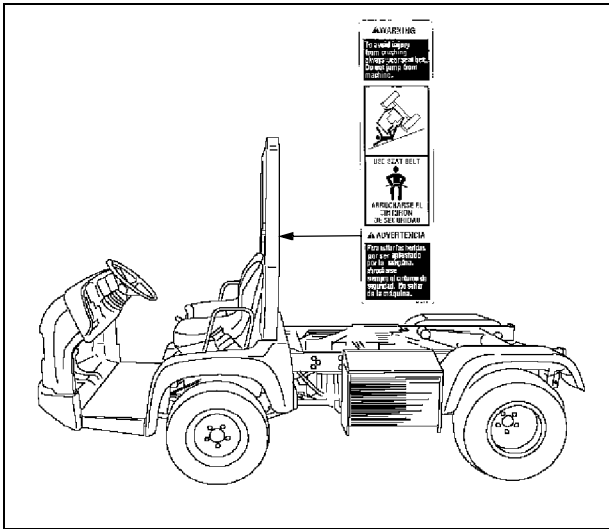


Picture Note: "HOT" muffler warning stamped into the top of the vehicle muffler.

DO NOT touch the vehicle muffler, it may be hot.

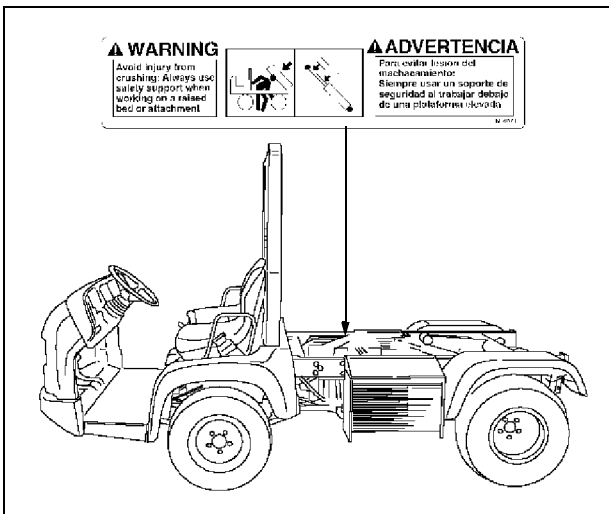
SAFETY

WARNING: USE SEAT BELT



To avoid injury from crushing always wear seat belt. Do not jump from machine.

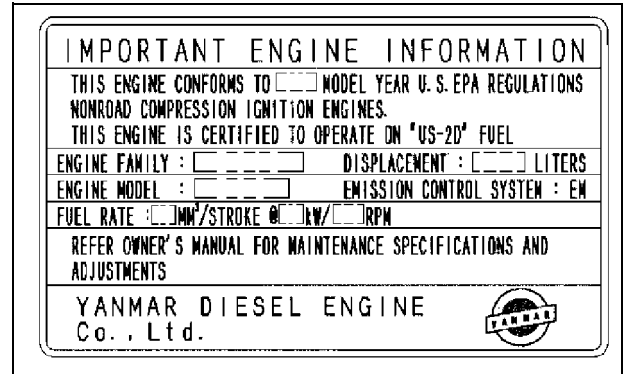
WARNING



Picture Note: Labels are located on each vehicle frame side rail.

Avoid injury from crushing: Always use safety support when working on a raised bed or attachment.

Emissions Control System Certification Label (Non-Road Diesel)



CAUTION: Avoid injury! Statutes providing severe penalties for tampering with emissions controls may apply at the user's location.

The emissions warranty described in the Warranty section applies only to those engines marketed by John Deere that have been certified by the United States Environmental Protection Agency (EPA) and/or California Air Resources Board (CARB); and used in the United States in non-road mobile (self-propelled or portable/transportable¹) equipment. The presence of an emissions label like the one shown signifies that the engine has been certified with the EPA and/or CARB. The EPA and CARB warranties only apply to new engines having the certification label affixed to the engine and sold as stated above in the geographic areas governed by the regulating agencies.

NOTE: The hp/kW rating on the engine emissions certification label specifies the gross engine hp/kW, which is flywheel power without fan. In most applications this will not be the same rating as the advertised vehicle hp/kW rating.

1. Equipment moved at least once every 12 months.

SAFETY

Emission Control System Certification Label (Small Off-Road Gas Engines)

NOTE: Tampering with emission controls and components by unauthorized personnel may result in severe fines or penalties. Emission controls and components can only be adjusted by EPA and/or CARB authorized service centers. Contact your John Deere Commercial and Consumer Equipment Retailer concerning emission controls and component questions.

The presence of an emissions label signifies that the engine has been certified with the United States Environmental Protection Agency (EPA) and/or California Air Resources Board (CARB).

The emissions warranty applies only to those engines marketed by John Deere that have been certified by the EPA and/or CARB; and used in the United States and Canada in off-road mobile equipment.

Emission Compliance Period (Small Off-Road Gas Engines)

If your engine has the emission compliance category listed on the emission control system certification or air index label, this indicates the number of operating hours for which the engine has been certified to meet EPA and/or CARB emission requirements. The following table provides the engine compliance period in hours associated with the category found on the certification label.

Agency	Category	Hours
EPA	C	250
EPA	B	500
EPA	A	1000
CARB	Moderate	125
CARB	Intermediate	250
CARB	Extended	500

Operator Training Required

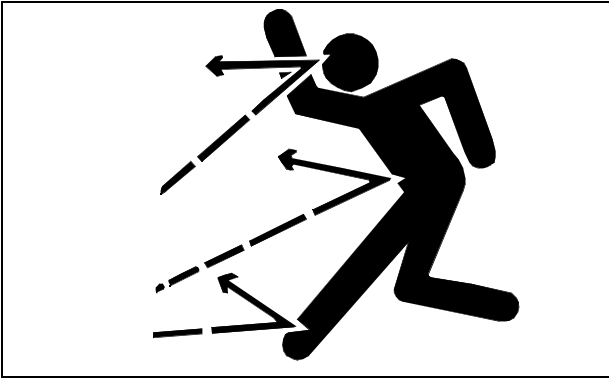


Study Operating section of this manual before operating the vehicle.

- The owner of the machine is responsible for training the users of the machine.
- The owner/user can prevent accidents with proper use of the machine. The owner/user is responsible for accidents or injuries occurring to themselves, other people or property.
- Do not allow operation of the machine by untrained persons.
- Read the operator manual and study the safety and operation sections before operating the machine.
- If the operator of the machine cannot read or understand this manual, the machine owner is responsible to explain this material to the operator. This publication is available in other languages.
- Operate the machine in an open, unobstructed area under the direction of an experienced operator.
- Learn the use of all controls.
- Operator practice is required to learn the moving, stopping, turning and other operating characteristics of the machine.

SAFETY

Operate Safely



- Inspect machine before you operate. Be sure hardware is tight. Repair or replace damaged, badly worn, or missing parts. Be sure guards and shields are in good condition and fastened in place. Make any necessary adjustments before you operate.
- Check before each use that operator presence controls are functioning correctly. Test safety systems. Do not operate unless they are functioning correctly.
- View the videotape provided with the vehicle for safe operating practices.
- Do not misuse the ProGator® Utility Vehicle, it is a utility vehicle not a recreation vehicle.
- Sit on the center of the seat and keep both feet within the foot platform perimeter. Clean foot platform if dirty, and remove any debris from around foot controls.
- Check for debris or refuse in the battery storage compartment, especially around brake linkage which attaches to axle housing on each side of the transaxle.
- Always use both hands for steering.
- Do not change the engine governor setting or overspeed the engine.
- Know location of controls and how and what they operate.
- Never operate utility vehicle while standing.
- Never operate utility vehicle with the cargo box or any attachment raised.
- Check brake action before beginning vehicle operation. Adjust or service the brakes as necessary.
- Stop machine if anyone enters the area.
- If you hit an object, stop and inspect the machine. Make repairs before you operate. Keep machine and attachments properly maintained and in good working order.
- To provide adequate braking ability and traction, do not tow any attachment or loaded trailer unless the utility

vehicle cargo box is loaded.

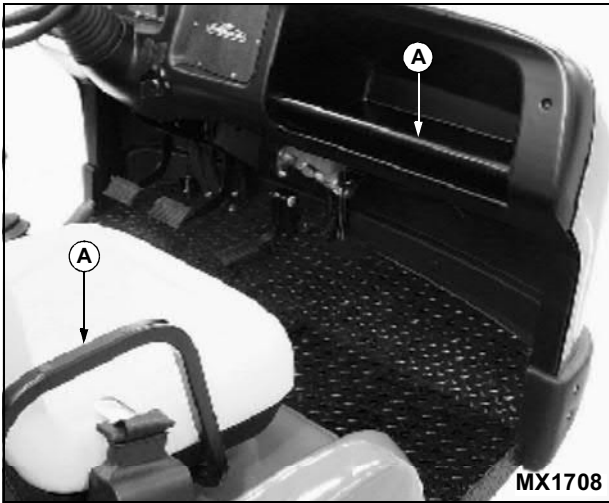
- Inspect vehicle before operating. Be sure hardware is tight. Repair or replace damaged, badly worn, or missing parts. Be sure guards and shields are in good condition and fastened in place. Make any necessary adjustments before operating.
- Keep people and pets out of the work area. Stop the vehicle if anyone enters the area. If an object is hit, stop and inspect the vehicle for damage. Make repairs before operating. Keep the vehicle properly maintained and in good working order.
- Keep headlight and taillight lenses clean.
- Do not leave vehicle unattended when it is running.
- Only operate during daylight or with good artificial light.
- Be careful of traffic when operating near or crossing roadways.
- This vehicle is not intended for use on highways or public roadways. It is to be used for off-road use only.
- Avoid sudden starts, stops, or turns.
- Always use a level turn-around area.
- Do not wear radio or music headphones while operating the vehicle. Safe operation requires your full attention.
- Be careful of traffic when operating near or crossing roadways. Make sure to stop blades before crossing roads or sidewalks. Use care when approaching blind corners, shrubs, trees, or other objects that may obscure vision. Be careful of traffic when operating near roadways.

Parking Safely

1. Stop machine on a level surface, not on a slope.
2. Disengage PTO.
3. Lower attachments to the ground.
4. Lock park brake.
5. Stop engine.
6. Remove key.
7. Wait for engine and all moving parts to stop before you leave the operator's station.

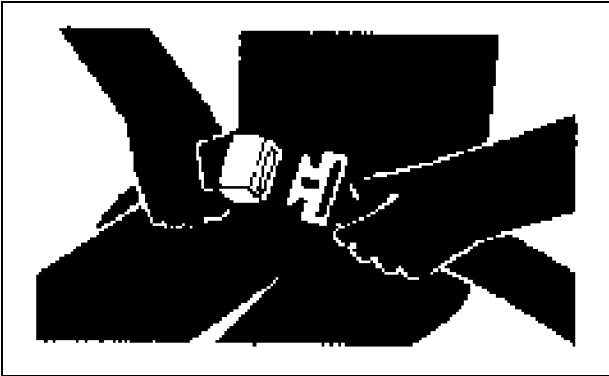
SAFETY

Use Hand Holds



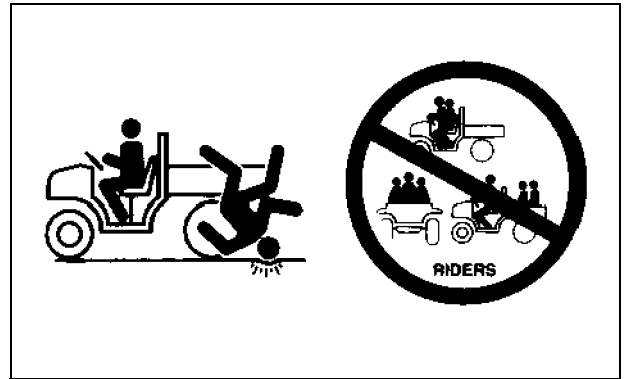
Hand holds (A) are provided for operator and passenger balance when driving over rough terrain. Use dash bar and side rails on seats for stability.

Use Seat Belt Properly



Use a seat belt when you operate with a Roll-Over Protective Structure (ROPS) or cab to minimize the chance of injury from an accident, such as an overturn.

Protect Children and Prevent Accidents



PROTECT CHILDREN:

- Never assume that children will remain where you last saw them. Stay alert to the presence of children.
- If the vehicle is equipped with a cargo box, never carry children in the cargo box area. Do not allow children to ride in a utility vehicle cargo box or on any attachment. Do not tow children in a cart or trailer.
- Use extra care when coming to blind corners, shrubs, trees, or other objects that may block vision.
- Do not let children or an untrained person operate the vehicle.
- Before backing or turning, look behind and around the utility vehicle for children.

HELP PREVENT SERIOUS OR FATAL ACCIDENTS:

- Be alert at all times, drive forward and in reverse carefully. People, especially children, can move quickly into an area of operation.
- Back carefully. Look behind the vehicle, especially for children, before backing up.
- Do not operate vehicle if under the influence of alcohol or other drugs.
- Misuse and recreational riding can lead to accidents, severe bodily injury or death.

Buy Now



Our support email:

ebooklibonline@outlook.com