

John Deere 282 Cotton Stripper



JOHN DEERE

OPERATORS MANUAL

John Deere
282 Cotton Stripper

OMN159288 D2 English

OMN159288 D2

LITHO IN U.S.A.
ENGLISH



To The Purchaser

Your new cotton stripper was built to rigid manufacturing standards. Material and workmanship are the best. How long it will last and continue its good work is a matter entirely in your hands.

The way you operate your cotton stripper and the care you give it have much to do with the service and satisfaction you will get from it. This manual has been carefully prepared and illustrated to show you what to do and when to do it. It explains the adjustments that are built into the machine and gives instructions on when and how to make these adjustments. The information given in this manual will afford a clear understanding of the fundamentals of mechanical harvesting. The best use of these fundamentals to suit the conditions in which the machine is operating is a responsibility that is completely up to the operator.

If you find you need information not covered in this manual or if your cotton stripper requires special servicing, take advantage of the facilities offered by your John Deere dealer. He has trained mechanics, who are kept informed on the best methods of servicing and can give you prompt, "know-how" service in the field or in his shop.


Record your cotton stripper serial numbers in the space provided on page 45. Your dealer needs this information to give you prompt, efficient service when you order parts or attachments. If your cotton stripper requires replacement parts, go to your John Deere dealer where you can obtain genuine John Deere parts - accept no substitutes.

The warranty on this cotton stripper appears on your copy of the purchase order which you should have received from your dealer when you purchased the cotton stripper.

LOCATION REFERENCES

Location References.. "Right" and "Left," "Front" and "Rear" refer to the operator's "Right" or "Left" and "Front" or "Rear" when facing in the direction of tractor-stripper forward travel.

"Clockwise" refers to a shaft, screw, or similar part turning to the operator's "Right," or like the hands of a clock. "Counterclockwise" refers to the operator's "Left."

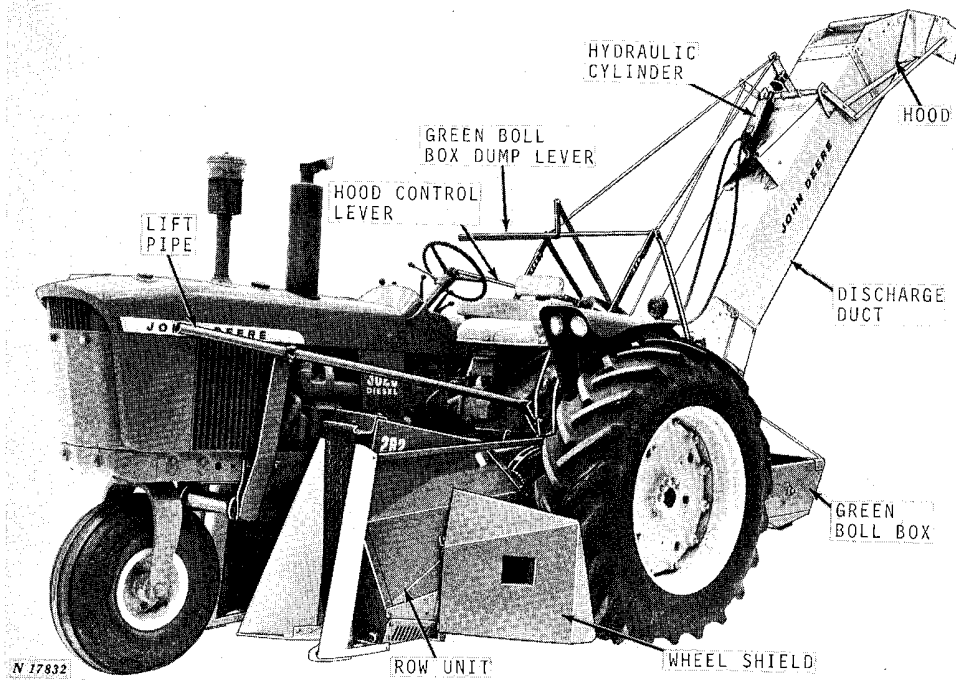
 This safety alert symbol identifies important safety messages in this manual. When you see this symbol, be alert to the possibility of personal injury and carefully read the message that follows.



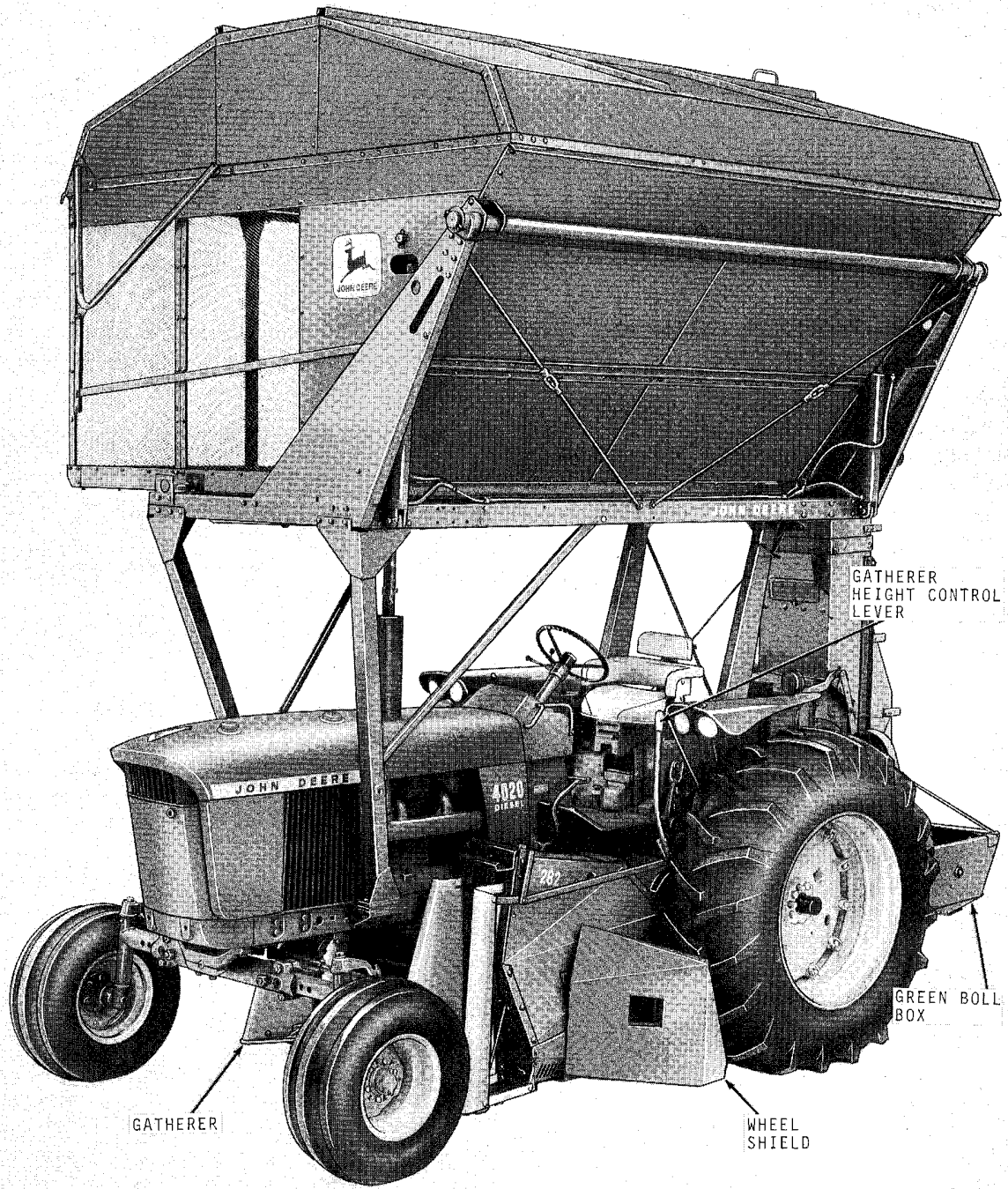


Contents

	Page		Page
IDENTIFICATION VIEWS	2-3	Rear Wheel Shields	12
OPERATION	4-8	Gatherers	12
Know your Cotton Stripper	4	Gatherer Grates	12
Controls	4-5	Strip Rolls	13-14
Row Unit Control	4	Strip Roll Combs	14
Gatherer Control Levers	5	Drive Belts	15
Strip Roll Control Levers	5	Care of V-Belts	16
Trailer Air Attachment		Slip Clutches	17
Control Levers	5	Cotton Stripper with 53 Trailer Air	
The Fundamentals of Cotton		Attachment	17-20
Harvesting	5	Fan Drive Belt Adjustment	17-18
Using the Stripper in the Field	5-6	Air Intake Door	19
Transporting the Stripper	6	Fan Speed	19
53 Trailer Air Attachment	7	Discharge Duct Position	19
Safety Suggestions	8	Green Boll Box	20
ADJUSTMENT AND SERVICE	9-20	LUBRICATION	21-22
Automatic Height Control	9-10	TROUBLE SHOOTING	23-25
Cross Conveyor and Universal		REMOVING COTTON STRIPPER	
Joint	9	FROM TRACTOR	26-31
Row Spacing and Unit Arches	9	MOUNTING COTTON STRIPPER	
Adjusting Automatic Height Control	9-10	ON TRACTOR	32-43
Without Automatic Height Control	11	SPECIFICATIONS	44-45
Cross Conveyor and Universal		SERIAL NUMBERS	45
Joint	11		
Row Unit Lift	11		
Row Spacing and Unit Arches	11		



John Deere 282 Cotton Stripper with Trailer Air Attachment



N23508

John Deere 282 Cotton Stripper Equipped with 70 Basket Attachment on 4020 Tractor



Operation

KNOW YOUR COTTON STRIPPER

Before starting to strip cotton, read this manual. The information in it is the result of years of experience in the design and operation of mechanical cotton strippers. We want you to be happy with your new John Deere Cotton Stripper. We know it will do good work for a long time if operated and adjusted properly. This manual tells you how to get from the stripper the performance and long life that have been designed and built into it.

CONTROLS

Row Unit Control

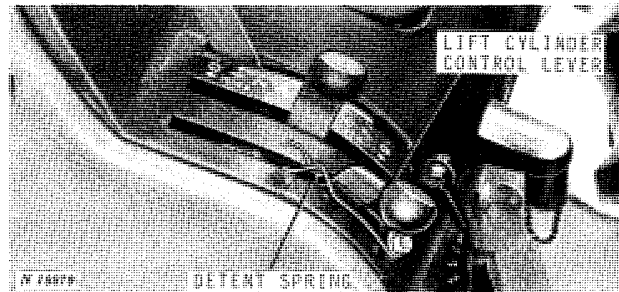
If stripper is not equipped with automatic height control, the row units are raised and lowered by the tractor hydraulic system through a lift pipe between the tractor rockshaft and the stripper lift mechanism. Use the tractor rockshaft control lever to raise and lower the row units.

If stripper is equipped with automatic height control, the units are raised and lowered with the tractor hydraulic system through a hydraulic lift cylinder on each unit.

All Tractors

To determine the unit operating height which the automatic height control is to maintain, turn the automatic height control lever knobs clockwise to raise the units to the desired height. Turn the height control lever knobs counterclockwise to lower the units to the desired height.

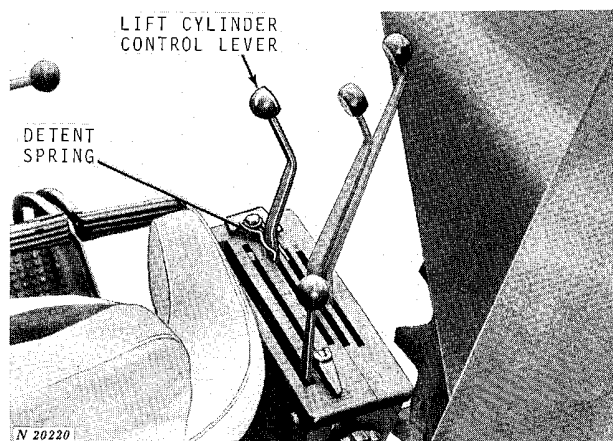
2510, 2520 (Below Serial No. 017000), 3010, 3020 (Below Serial No. 123000), 4010, 4020 (Below Serial No. 201000)



The lift cylinders are controlled by the left hand cylinder control lever.

For automatic height control of units in field operation, pull lift cylinder control lever down into detent spring.

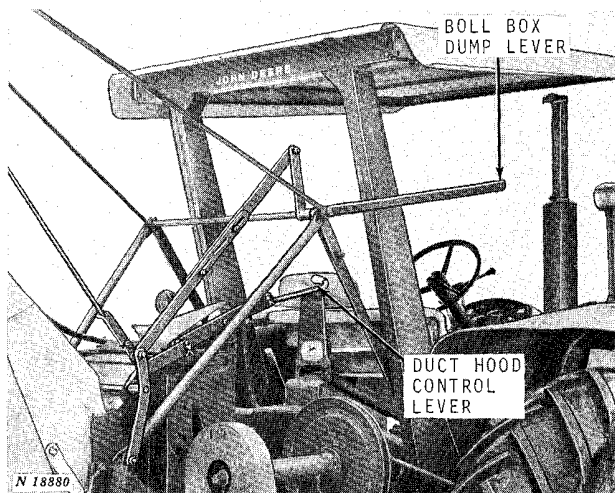
2520 (Serial No. 017000 and above), 3020 (Serial No. 123000 and above), 4020 (Serial No. 201000 and above and all 4320 Tractors)



The lift cylinders are controlled by the left-hand cylinder control lever.

For automatic height control of units in field operation, place lift cylinder control lever into detent spring.

Trailer Air Attachment Control Levers



The duct hood control lever is located to the right of the operator. Use the hood control lever to direct the flow of cotton to the front or rear of the trailer. Pull the lever up to raise the hood; push the lever down to lower the hood.

The duct angle is controlled by one of the remote cylinder control levers on the tractor. Extend the cylinder to raise the duct; retract the cylinder to lower the duct.

If stripper is equipped with green boll box, the boll box dump lever is located above the duct hood control lever. Raise the lever to open the box; pull the lever down to close the box.

Basket Attachment Controls

See basket attachment operator's manual.

THE FUNDAMENTALS OF COTTON HARVESTING

Handling the different types of cotton requires a thorough understanding of the fundamentals of stripper operation, and initiative and resourcefulness to meet the varying field conditions.

These fundamentals are, briefly:

1. Stripping cotton is a once over operation, which means that both open bolls and green bolls are removed from the plant at the same time.

2. Closed-boll cotton, such as storm-proof, is more adaptable for the cotton stripper because the cotton bolls mature more uniformly and can be harvested with very small field loss.

3. The ideal crop condition is when all harvestable bolls are mature and the leaves have dried either by frost or use of a desiccant. In extremely rank growth, defoliation prior to desiccation is helpful.

4. Strip early, as soon as the bolls are well open. The longer cotton is exposed to the weather the greater chance there is of deterioration and discoloration, resulting in lower grades.

5. The proper harvest date depends almost entirely on the weather, moisture content, and plant condition.

6. Proper preparation of cotton fields for mechanical harvesting will mean less trouble and more profitable operation. Fields should be kept clean and free from roots, stones, and other foreign material.

7. This cotton stripper is simple to operate with very few adjustments. With a little experience any operator can do a good job of stripping cotton.

USING THE STRIPPER IN THE FIELD

The degree of satisfaction from this cotton stripper depends upon the carefulness and alertness of the operator. Once the stripper has been adjusted to meet the crop condition the rest is up to the operator. Take pride in the work you are doing.

Strip cotton from a pair of rows as they were planted. Do not attempt to straddle "guess" or "odd" rows. Approach the rows of cotton so the cotton enters the center of each row unit. Do not travel faster than your ability to stay on the rows. Operate stripper at 1.5 to 7.0 mph with PTO operating at the proper speed.

Keep watching for stones, bricks, and other foreign objects. Running such objects through the row unit can cause severe damage.

Thank you so much for reading.
Please click the “Buy Now!”
button below to download the
complete manual.



After you pay.

You can download the most
perfect and complete manual in
the world immediately.

Our support email:

ebooklibonline@outlook.com