

200 SYNCHRONOUS THINNER



JOHN DEERE

OPERATORS MANUAL 200 SYNCHRONOUS THINNER

OMN159530 J9 English

DES MOINES WORKS
OMN159530 J9

LITHO IN THE U.S.A.
ENGLISH



INTRODUCTION



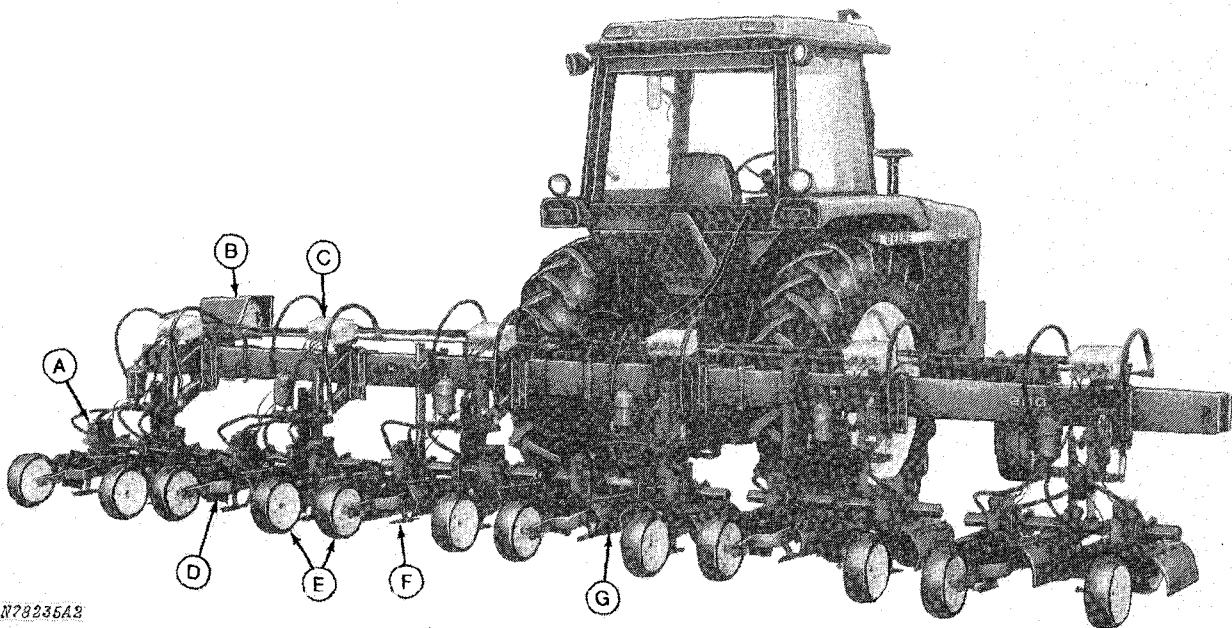
This safety alert symbol indicates important safety messages in this manual. When you see this symbol, be alert to the possibility of personal injury and carefully read the message that follows.

This operator's manual contains SI Metric equivalents which follow immediately after U.S. customary units of measure.

"Right-hand" and "Left-hand" sides are determined by facing the direction the thinner will travel when in use.

Your warranty appears on your copy of the purchase order which you should have received from your dealer.

Record your thinner serial numbers in the spaces provided on page 58.



N78235A2

A - Actuator and Solenoid
B - Alternator

C - Amplifier
D - Probe

E - Gauge wheels
F - Knife

G - Shields

200 SYNCHRONOUS THINNER

PREDELIVERY CHECK LIST

After the thinner has been completely assembled, adjusted and lubricated, inspect it thoroughly to be sure it is in good running order before delivering it to the customer. The following check list is a reminder of points to inspect. Check off each item as it is found satisfactory or after proper adjustment.

- Check all hydraulic connections for leaks.
- Check the knife-to-probe distance; it should be 1-1/8 inches (29 mm).
- Check the probe-to-ground distance; according to crop being thinned.
- Check probe height; it should be 1-1/4 inches (32 mm) from bottom of knife.
- Check knife cutting depth; it should be 1/4 inch (6 mm).
- Check gauge wheel height.
- Adjust tractor hydraulic outlet metering valve arms to provide maximum oil flow.
- Adjust alternator voltage to 125 volts.
- Check amplifier for correct setting.
- Check pressure on high and low-pressure accumulators.

Check the following locations and dimensions (see row spacing diagrams on page 34-37).

- Actuator row spacing.
- Rig hanger location.
- Shield location.
- Cone guide wheel or coulter location.

(Date Assembled)

(Signature)

Insert OM-N159530 J9

DELIVERY CHECK LIST

When the thinner is delivered, the following check list is a reminder of important information which should be conveyed directly to the customer. Check off each item as it is fully explained to the customer.

- Give the operator's manual to the customer and review all operating instructions and safety precautions with him.
- Emphasize the importance of proper installation of hydraulic lines and electrical wiring.
- When the thinner is transported on the road, day or night, warning lights and devices must be used for adequate warning to operators of other vehicles. Advise the customer to check local governmental regulations concerning road transport of farm machinery.
- Tell the customer that the life expectancy of their thinner depends on the proper maintenance and care found in the operator's manual.
- To the best of my knowledge, this machine has been delivered ready for field use and the customer has been fully informed as to the proper care and operation of same.

(Date Delivered)

(Signature)

OWNER REGISTER

Name _____

R.R. No. _____

City or Town _____

State _____ Zip Code _____

Thinner Serial No. _____

Amplifier Serial Nos. _____

Date Purchased _____

AFTER-SALE CHECK LIST

The following is a suggested list of items to be checked at a dealer-customer mutually agreeable time during the first operating season.

- Check with the customer as to the performance of the thinner. Make certain he understands the proper operating adjustments for his crop (or soil condition).
- If possible, operate the thinner to see that it is functioning properly.
- Tell the customer about any special attachment which will help him do a better job.
- Go over entire thinner for loose or missing bolts.
- Check for broken or damaged parts.
- Check to see that all safety shields are in place.
- Check with the customer to ascertain if the recommended periodic lubrication has been performed.
- Give the operator's manual to the customer and stress the importance of proper lubrication and safety precautions.

Date _____

Signed _____



Contents

	Page
Safety	2-3
Preparing Tractor	4-5
Preparing Thinner	6-9
Attaching and Detaching.....	10
Transporting	11
Operating Thinner	12-17
Lubrication and Maintenance.....	18-19
Trouble Shooting.....	20-23
Service	24-37
Row Spacing Diagrams.....	34-37
Storage.....	38
Assembly.....	39-55
Hydraulic Diagrams.....	50-55
Specifications	56-58
Serial Numbers.....	58
Index.....	59-60



Safety

Operate Safely

DO NOT operate thinner without reading this operator's manual.

DO NOT allow anyone to ride on, walk behind or near the thinner when it is in motion. Observe operation from tractor platform.

DO NOT leave tractor running. Turn the thinner electrical switch off. Set the hydraulic control lever in the neutral position and shift lever in park.

Lower the thinner when not in use.

DO NOT operate close to a ditch or creek.

Slow down when turning.

Drive slowly over rough terrain.

Apply both tractor brakes evenly when making emergency stops.

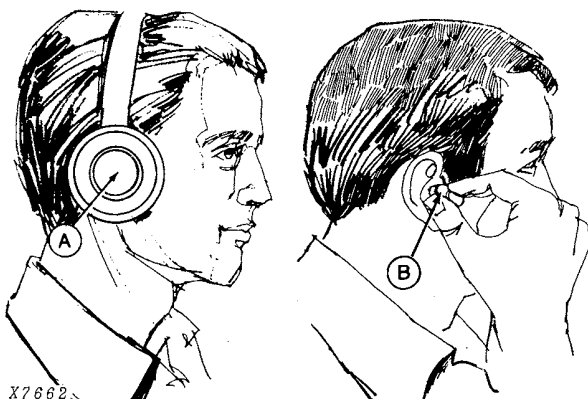
Wear relatively tight and belted clothing to prevent being caught on the machine.

If tractor is equipped with a ROLL-GARD® Safety Canopy and seat belt, be sure to keep your seat belt fastened.

Protect Against Noise

Prolonged exposure to loud noise can cause impairment or loss of hearing.

Wear a suitable hearing protective device such as earmuffs (A) or earplugs (B) to protect against objectionable or uncomfortable loud noises.



A - Earmuffs
B - Earplugs

Avoid Fires

DO NOT refuel with the tractor engine running.

DO NOT smoke or use a lantern when refueling.

Transport Safely

Latch tractor brakes together.

Shift the tractor into a lower gear when transporting down steep slopes or hills.

Keep SMV emblem and reflectors clean and visible from the rear.

Stop slowly.

Know the width of your thinner.

When transporting the thinner on a road or highway at night or during the day, use accessory lights and devices for adequate warning to operators of other vehicles. In this regard, check local governmental regulations. Various safety lights and devices are available from your John Deere dealer.

Practice Safe Maintenance

DO NOT lubricate, adjust, or clean the thinner while it is in motion.

Shut off engine and remove key when working on thinner.

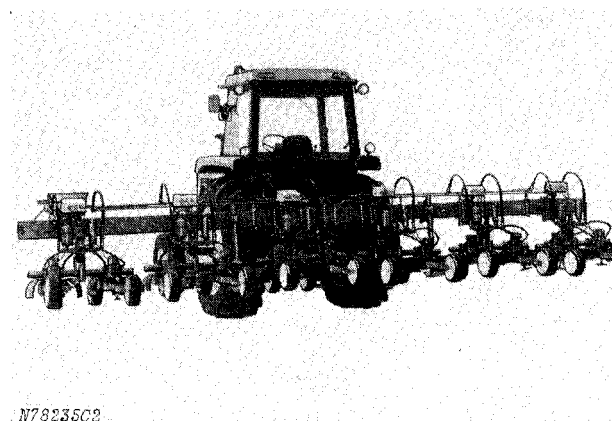
Replace any guards and shields removed for servicing.

When mounting a tire on a wheel or rim, failure to follow proper procedure can produce an explosion which can result in serious injury or death. Do not attempt to mount a tire unless you have the proper equipment and experience to perform the job. Have it done by your John Deere dealer or a qualified tire repair service.

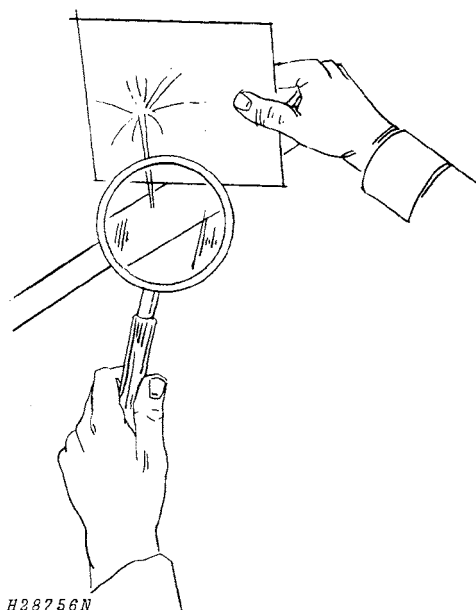
Escaping fluid under pressure can have sufficient force to penetrate the skin, causing serious personal injury. Before disconnecting lines, be sure to relieve all pressure. Before applying pressure to the system, be sure all connections are tight and that lines, pipes and hoses are not damaged.

Fluid escaping from a very small hole can be almost invisible. Use a piece of cardboard or wood, rather than hands, to search for suspected leaks.

If injured by escaping fluid, see a doctor at once. Serious infection or reaction can develop if proper medical treatment is not administered immediately.



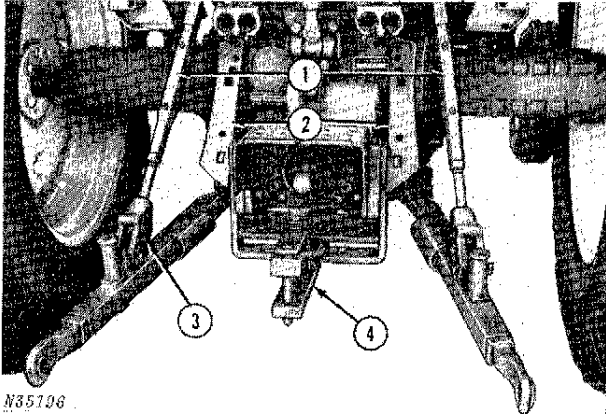
N7823502



H28756N



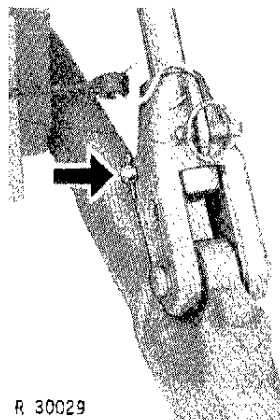
Preparing the Tractor



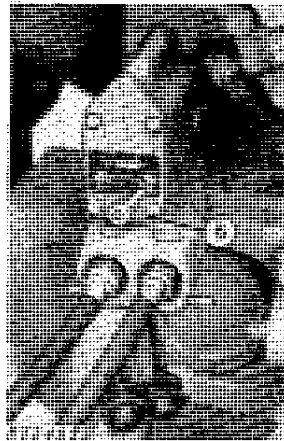
N35706

CAUTION: PTO guard and master shield must be installed on tractor (bold arrow).

1. Set the tractor tread width so that wheels are centered between the rows. "A" should be the same length from the center of the tractor to the center of each tire. See your tractor's operator's manual for the inflation pressure and wheel ballast information.
2. Position the sway blocks in the upper wide setting.
3. Adjust lift links and center link to minimum length.
4. Place drawbar in the short centered position.
5. If gauge wheels are used, set lift link pins in upper holes (bold arrow) to allow lateral float.



R 30029



6. Turn metering valve to fast or "rabbit" position.
7. Check tractor hydraulic oil and add if necessary.

Thank you so much for reading.
Please click the “Buy Now!”
button below to download the
complete manual.



After you pay.

You can download the most
perfect and complete manual in
the world immediately.

Our support email:

ebooklibonline@outlook.com