

**8000 SERIES  
GRAIN DRILLS  
SERIAL NO. (25001-43474)**



**JOHN DEERE**

**OPERATORS MANUAL  
8000 SERIES GRAIN DRILLS  
SERIAL NO. (25001-43474)**


OMN159553 H0 English

**DES MOINES WORKS  
OMN159553 H0**

LITHO IN THE U.S.A.  
ENGLISH



## INTRODUCTION

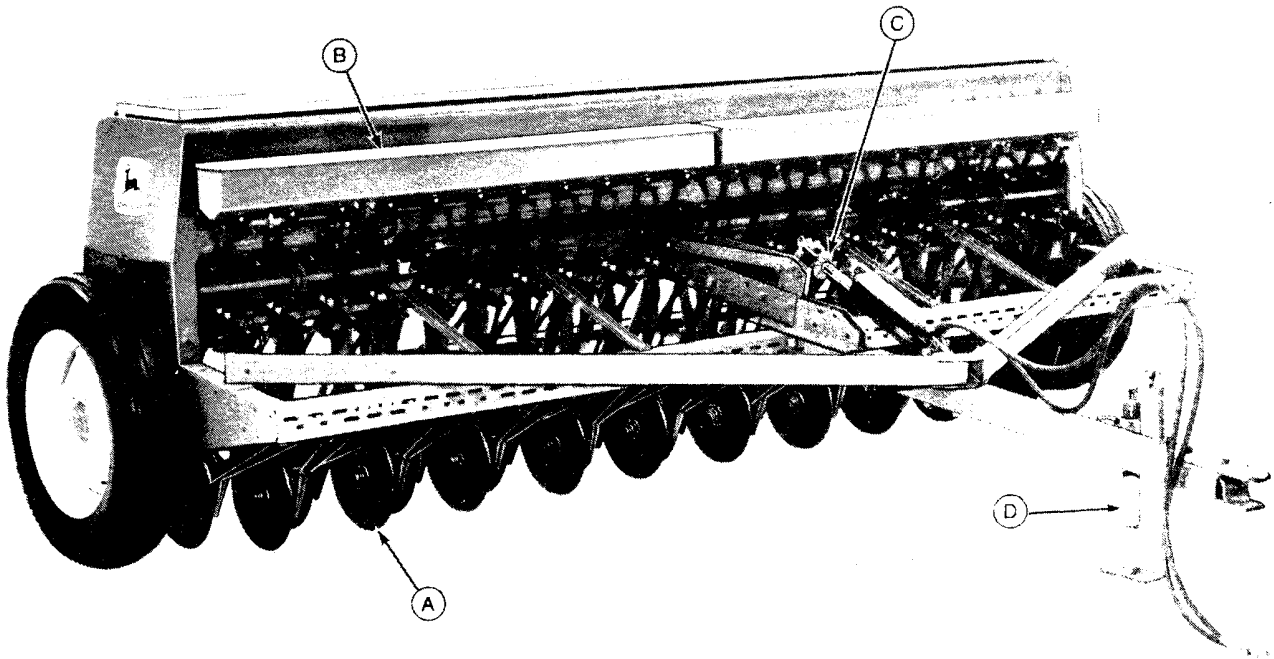
 This safety alert symbol indicates important safety messages in this manual. When you see this symbol, be alert to the possibility of personal injury and carefully read the message that follows.

This publication contains both the U.S. customary units of measurement and the SI metric equivalents.

"Right-hand" and "left-hand" sides are determined by facing in the direction the drill will travel when in use.

The warranty appears on your copy of the purchase order which you should have received from your dealer.

Record your model and serial numbers on page 73.



N32543

**A—Double Disk Openers**

**B—Grass Seed Attachment**

**C—Hydraulic Lift**

**D—Hitch Jack**

*John Deere 8250, 12-Foot (3 658 mm) Grain Drill with Grass Seed Attachment*



# Contents

---

	Page(s)
Safety .....	2-3
Preparing the Tractor .....	4
Preparing the Grain Drill .....	5-6
Attaching and Detaching .....	7-8
Transporting .....	9-10
Hauling drill on trailer .....	9
Towing drill .....	10
Operating the Grain Drill .....	11-41
Spill shields .....	11
Optional hand lift lever .....	11
Single disk opener .....	12-13
Double disk opener .....	14-15
Gage-O-Matic Opener .....	15
Hoe opener .....	15
TRU VEE™ opener attachment .....	16
Down pressure .....	17
Drawbar .....	18
Seeding with fluted feed drills .....	19-23
Seeding charts .....	21-23
Seeding with double run drills .....	24-30
Seeding charts .....	26-30
Fertilizer system .....	31-33
Fertilizer charts .....	32
Seeding with grass seed attachment .....	34-37
Seeding charts .....	35
Checking Quantities drilled .....	38-39
Drilling row crops .....	40
Rear-Mounted Row Markers .....	41
Attachments .....	42-48
Lubrication and Maintenance .....	49-51
Trouble Shooting .....	52-54
Service .....	55-67
Storage .....	68-69
Specifications .....	70-73
Serial number .....	73



# Safety



## Operate Safely

DO NOT operate grain drill without reading this operator's manual.

DO NOT operate grain drill with more than one person on the tractor.

DO NOT allow anyone to ride on the drawbar of the tractor, or on the grain drill.

DO NOT operate close to a ditch or creek.

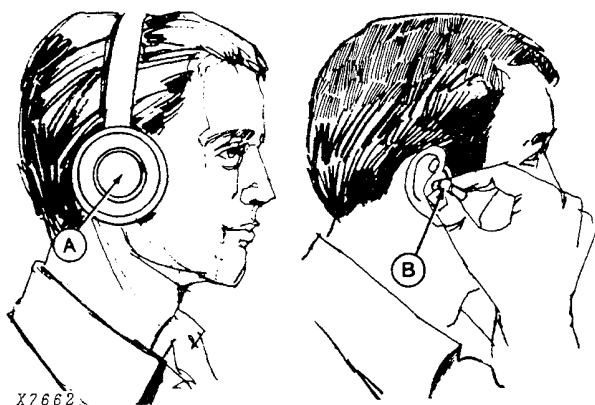
Slow down when turning.

If equipped with markers, stand clear of disks when folding or unfolding.

Drive slowly over rough ground.

Shift the tractor into a lower gear when operating on steep slopes.

If your tractor is equipped with a Roll-Gard Safety Canopy and seat belt be sure to keep your seat belt fastened when operating or transporting the grain drill.



## Protect Against Noise

Prolonged exposure to loud noise can cause impairment or loss of hearing.

Wear a suitable hearing protective device such as earmuffs (A) or earplugs (B) to protect against objectionable or uncomfortable loud noises.

A—Earmuffs

B—Earplugs

## Avoid Fires

DO NOT refuel with the tractor engine running.

DO NOT smoke or use a lantern when refueling.

Be careful when cleaning with diesel fuel so that it does not ignite. Use only in a well ventilated area and away from any sparks or flames.

## Transport Safely

When towing the grain drill on a road or highway at night or during the day, use necessary lights and devices for adequate warning to operators of other vehicles. In this regard, check local governmental regulations. Various safety lights and devices are available from your John Deere dealer:

Always raise the openers and secure the lift mechanism. If hydraulic lift, install locking pin in the transport position (bold arrow).

If equipped with row markers, know the transport height of your marker arm and beware of overhead wires.

If equipped with row marker selector control, tractor control switch should be in the "neutral" or "off" position.

Stop slowly.

Always raise the jack stand before transporting.

Shift the tractor into a lower gear when transporting down steep slopes or hills.

DO NOT transport unless the grain drill reflectors and tractor SMV emblem are easily visible from the rear.

## Practice Safe Maintenance

Always lower openers before working on or under them, unless specifically told to do otherwise.

Replace any guards or shields removed for servicing.

Block the wheels so the drill remains stationary.

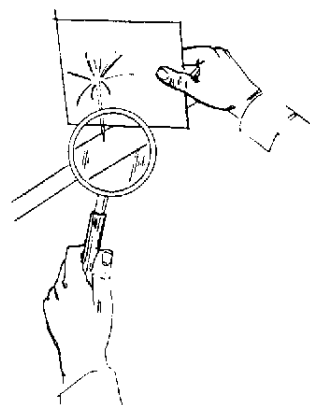
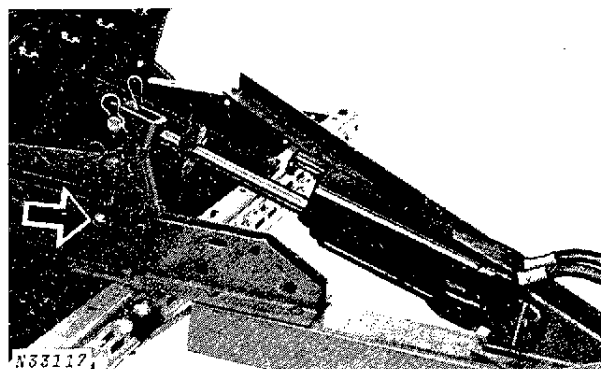
When cleaning with diesel fuel, do not allow diesel fuel or any other petroleum product to come in contact with rubber tubes.

When mounting a tire on a wheel or rim, failure to follow proper procedure can produce an explosion which can result in serious injury or death. Do not attempt to mount a tire unless you have the proper equipment and experience to perform the job. Have it done by your John Deere dealer or a qualified tire repair service.

Escaping fluid under pressure can have sufficient force to penetrate the skin, causing serious personal injury. Before disconnecting lines, be sure to relieve all pressure. Before applying pressure to the system, be sure all connections are tight and that lines, pipes and hoses are not damaged.

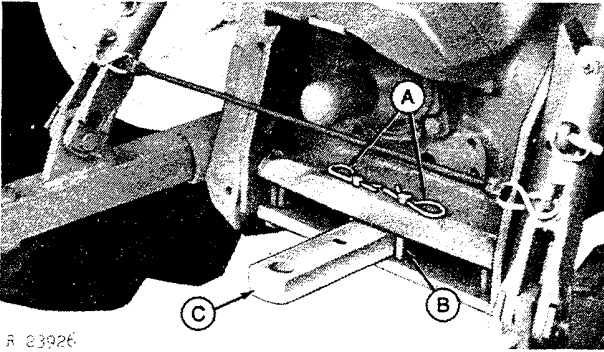
Fluid escaping from a very small hole can be almost invisible. Use a piece of cardboard or wood, rather than hands, to search for suspected leaks.

If injured by escaping fluid, see a doctor at once. Serious infection or reaction can develop if proper medical treatment is not administered immediately.





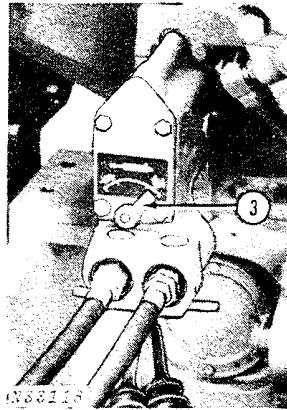
# Preparing the Tractor



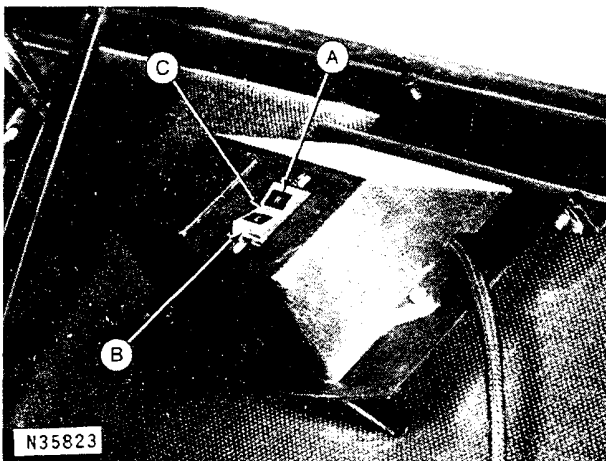
**CAUTION:** Make sure the master shield and PTO guard are installed.

1. Lock the drawbar in the center with locking pins (B) and Quik-Tatch™ pins (A).
2. Secure or remove the lift links.

A—Quik-Tatch Pins  
B—Locking Pin  
C—Drawbar



3. If drill is equipped with hydraulic lift, turn the tractor metering valve clockwise to the "Fast" position.



4. If equipped with row marker selector valve, install switch box control, wiring harness and seven pin outlet (if necessary). Installation instructions are included with the bundle.

A—Right-Hand Marker  
B—Left-Hand Marker  
C—"Neutral" or "Off"



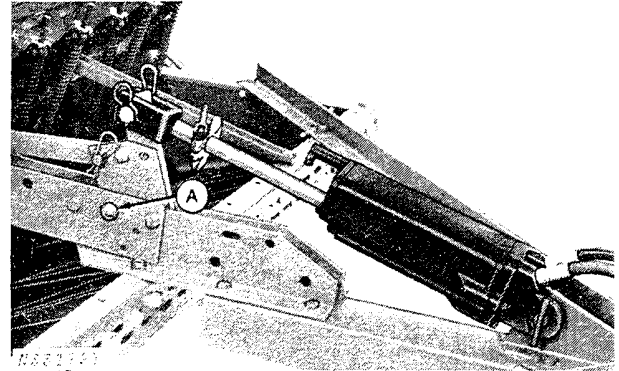
## Preparing the Grain Drill

1. If equipped with hydraulic lift, install the hydraulic cylinder as shown, positioning the lock pin in either the transport position (A) OR the field position (B).

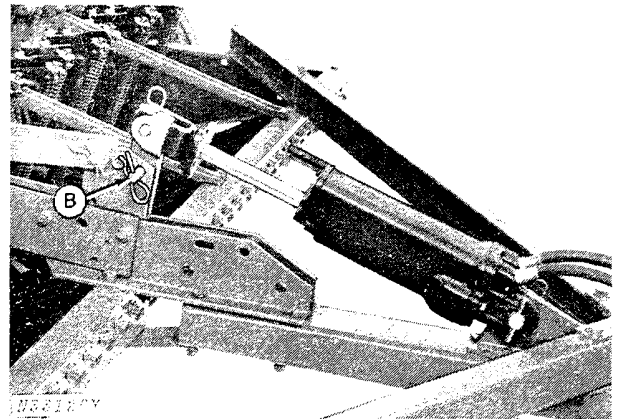
When the pin is in the transport position, the hydraulic cylinder can be removed for other use, and the drill can still be transported.

Route the hoses through the spring support in preparation for tractor hookup.

**IMPORTANT:** Install locking pin in transport position (A) OR field position (B) but NEVER BOTH at the same time.

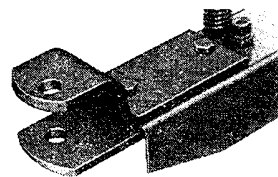


Transport Position

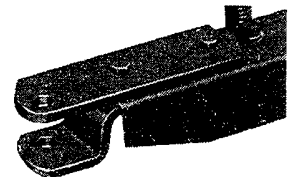


Field Position

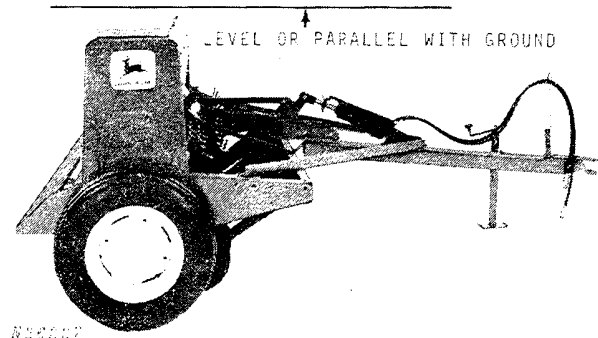
2. Position drill hitch clevis straps AND/OR tractor drawbar to level drill.



17-inch (432 mm)



15-inch (381 mm)



NSR2207

(Continued on next page)

**6** *Preparing the Drill*

4 ply tires—28 psi (194 kPa) (2 bar)
6 ply tires—32 psi (221 kPa) (2.2 bar)

3. Check for correct tire air pressure as shown.

**IMPORTANT: Incorrect air pressure affects seeding rates.**



Thank you so much for reading.  
Please click the “Buy Now!”  
button below to download the  
complete manual.



After you pay.

You can download the most  
perfect and complete manual in  
the world immediately.

Our support email:

[ebooklibonline@outlook.com](mailto:ebooklibonline@outlook.com)