

**4600 SERIES  
FOUR-ROW CULTIVATOR  
FOR "40" AND "420"  
TRICYCLE-TYPE TRACTORS**



**JOHN DEERE**

**OPERATORS MANUAL**

**4600 SERIES FOUR-ROW CULTIVATOR  
FOR "40" AND "420" TRICYCLE-TYPE  
TRACTORS**

OMN39156 (01JAN56) English

**OMN39156 (01JAN56)**

LITHO IN THE U.S.A.  
ENGLISH



## TO THE PURCHASER

Your new 4600 Series Cultivator was built to rigid manufacturing standards. Material and workmanship are the best. Precision production methods, and accurately controlled heat-treating assure maximum strength and long life for every part.

This manual has been carefully prepared and illustrated so that you may make the necessary adjustments for adapting your cultivator to work properly in all types of field cultivation.

Study this manual carefully. Keep it handy, in a safe place, for future reference.



When in need of parts, furnish your John Deere dealer the part number, description, and the information which should be recorded at the bottom of this page, when the cultivator is delivered. He can give you prompt and efficient service.

**JOHN DEERE 4600 SERIES FOUR-ROW  
CULTIVATOR**

**No. of Cultivator** .....

**Date Purchased** ..... 19 ..

*(To be filled in by Purchaser)*

## TABLE OF CONTENTS

	<i>Page</i>
IDENTIFICATION OF CULTIVATOR PARTS.....	2-3
SPECIFICATIONS.....	4
OPERATION.....	5-17
Preparing the Tractor.....	5
Rockshaft Lift Arms.....	6
Power Lift Pipe.....	7
Adjusting Depth and Leveling Front Rigs.....	7
Tilting Front Rigs.....	8
Rig Clamp.....	8
Adjusting Crossarms.....	9
Adjusting Shank Vertically.....	10
Setting Sweep on Shank.....	10
Leveling Shovels or Sweeps.....	10
Spring Trips.....	11
Attaching Cultivator.....	12-14
Detaching Cultivator.....	15
Row Spacing.....	16
Shields.....	17
SAFETY SUGGESTIONS.....	18
EXTRA EQUIPMENT.....	19-20
Disk Hillers.....	19
Knife Attachment.....	19
Listed Corn Cultivator Attachment.....	19
No. 1 Center Attachment.....	20
No. 1 Spring-Tooth Attachment.....	20
Spread Bar.....	20
Rotary Hoe Attachment.....	21
MAINTENANCE SUGGESTIONS.....	22
Shovels and Sweeps.....	22
Sharpening Shovels and Sweeps.....	22
Lubrication.....	22
Rigs.....	22
Tractor Tire Inflation Pressures.....	22
ASSEMBLY.....	23-38
General Instructions.....	23
Overhead Views.....	24-26
Shipping Bundles.....	25-27
Extra Shipping Bundles.....	28
Setting Tractor Rear Wheels.....	29
Front Coupling Plate.....	29
Quik-Tatch Frame and Front Frame.....	30
Front Rigs.....	31
Power Lift Pipes.....	32
Clamps, Shanks, and Shovels.....	33
Rear Rigs.....	34
Overhead View of 4602 Cultivator.....	35
Setting the Cultivator Correctly.....	36-37
Warning Lamp Bracket Socket and Reflector.....	38

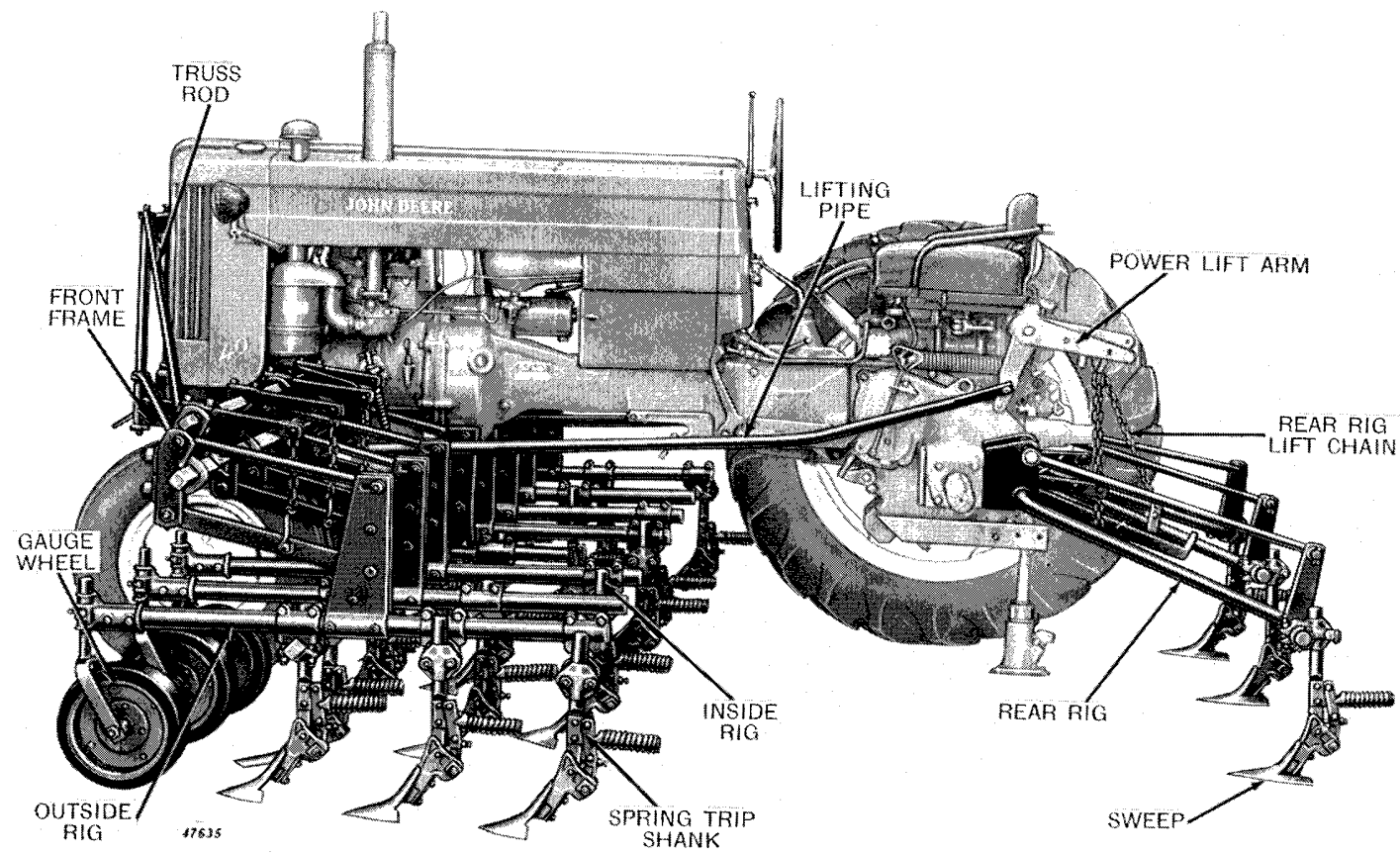


Figure 1—John Deere 4602 Power Lift Four-Row Cultivator  
(Tractor Wheel Removed to Show Cultivator Detail)

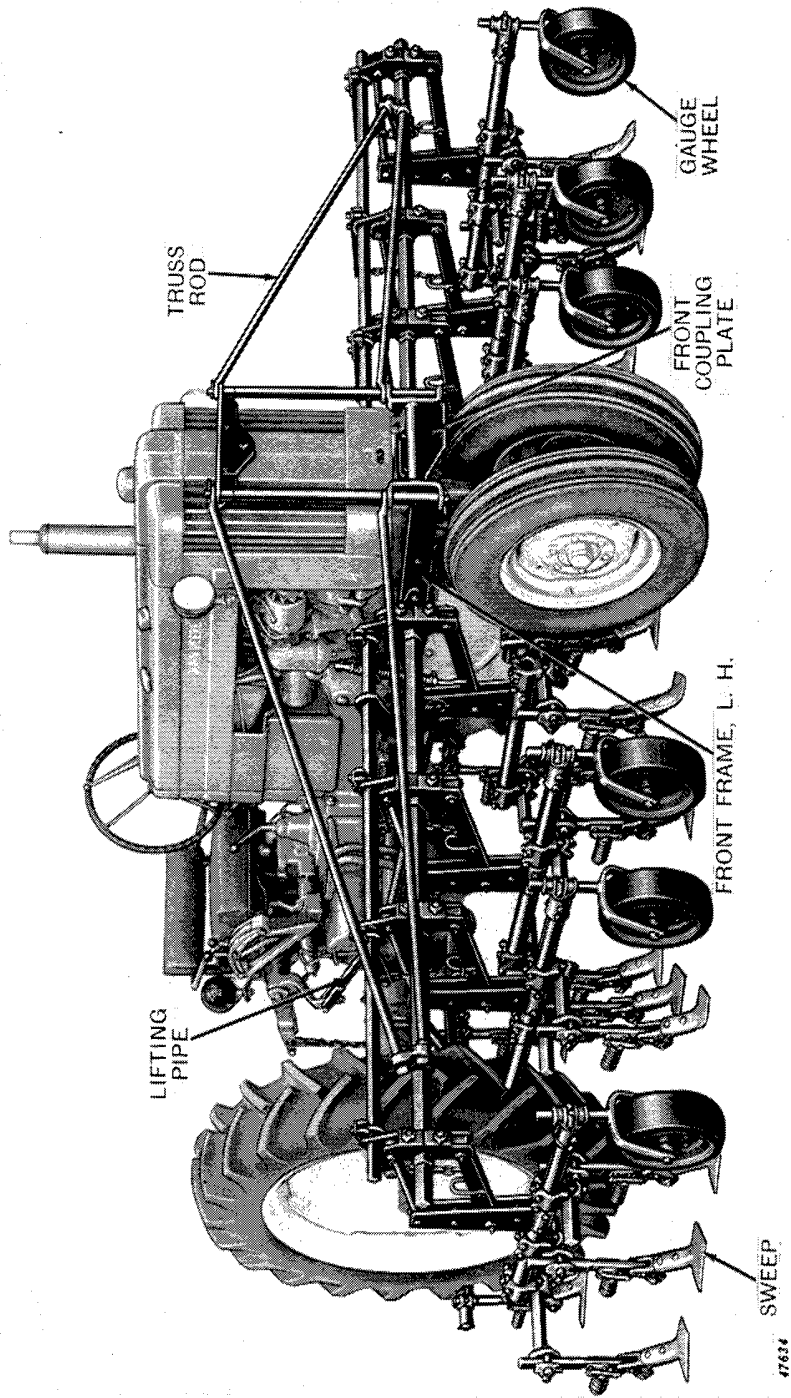


Figure 2—Three-Quarter Right Front View—  
John Deere 4602 Power Lift Four-Row Cultivator

## SPECIFICATIONS

All 4600 Series Cultivators listed below have eight front rigs.

### TYPE OF SHANKS AND NUMBER USED

Number of Cultivator	Front Rigs	Rear Rigs	Total Shovels or Sweeps	Spacing
4601	(21 Spring Trip 1-3/8" Shanks)	None	21	36"-40"
4602	(18 Spring Trip 1-3/8" Shanks)	(3 Spring Trip 1-3/8" Shanks)	21	36"-40"

All 4600 Series Cultivators are erected at the factory for 40-inch row spacing. To adjust rigs for other row spacing, see instructions on page 16.

#### Location Reference.

Right-hand and left-hand reference is determined by standing at the rear of the cultivator and facing in the direction of travel.

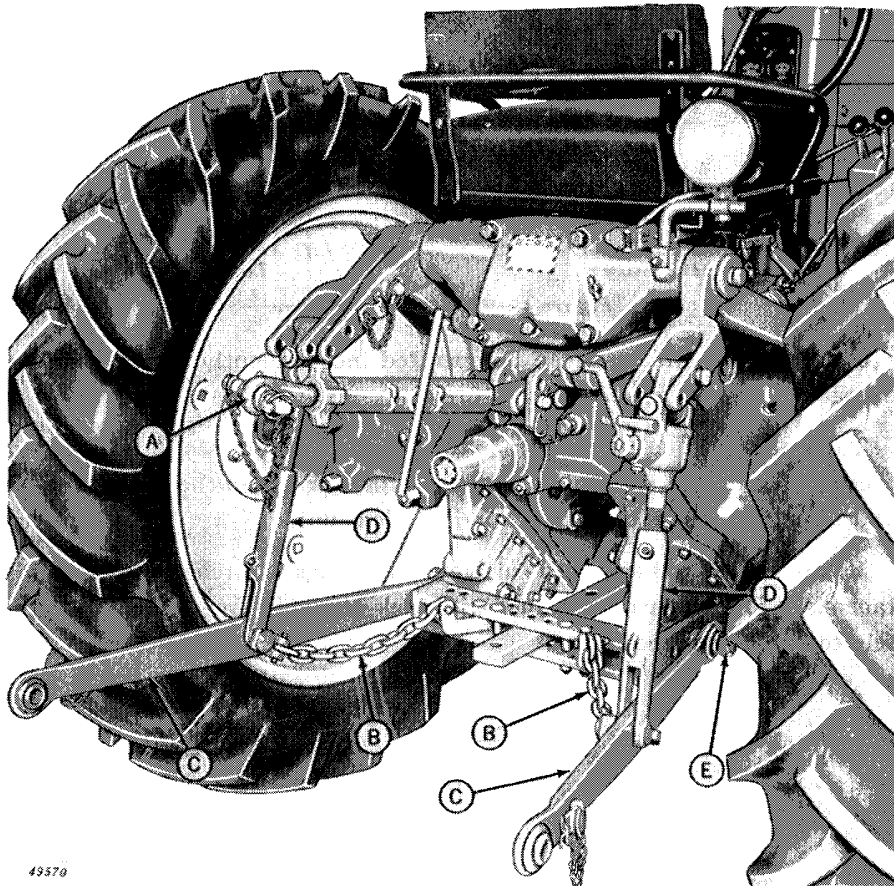


## OPERATION

The John Deere 4600 Series Cultivator is designed for use with John Deere Models "40" and "420" Tricycle Tractors.

With the wide variety of clamps, shanks, shovels or sweeps available, the cultivator will do good work in all types of soil and over a wide range of field conditions. The instructions in this manual cover the necessary adjustments for the best field results. A correctly-adjusted cultivator pulls easily, penetrates uniformly, and kills weeds properly.

### PREPARING THE TRACTOR.

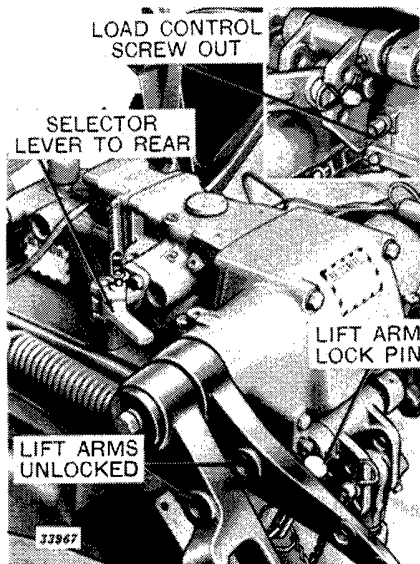


49570

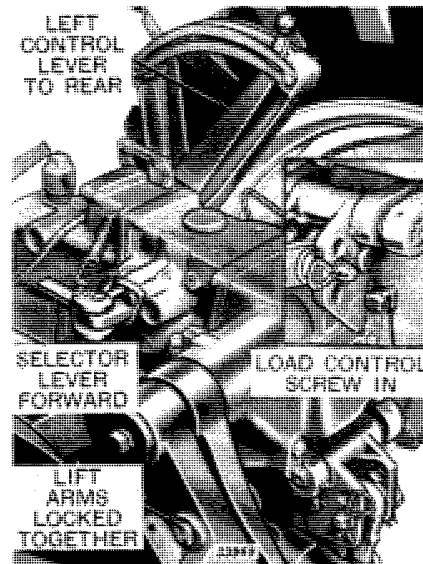
*Figure 3*

Remove the upper link "A," sway chains "B," draft links "C," and lift links "D" from the tractor. Replace nut and washer on trunnions "E."

The rear wheels of tractor should be 72 to 80 inches apart, center-to-center, depending upon the width of the row.

**ROCKSHAFT LIFT ARMS.**

*Lift Arms Operating  
Independently*



*Lift Arms Operating  
Together*

**Figure 4—Rockshaft Lift Arms**

The rockshaft lift arms can be operated independently or they can be operated together, as shown in Figure 4.

To operate lift arms independently, shift Touch-O-Matic selector to the rear position as shown. Remove lift arm lock pin so the two cylinders and rockshaft can be operated as independent units.

If it is desired to have both cultivator front rigs and rear rigs lift simultaneously, lock lift arms together with lock pin and move Touch-O-Matic selector to forward position.



Thank you so much for reading.  
Please click the “Buy Now!”  
button below to download the  
complete manual.



After you pay.

You can download the most  
perfect and complete manual in  
the world immediately.

Our support email:

[ebooklibonline@outlook.com](mailto:ebooklibonline@outlook.com)