

# 421B SIDE DRESSING FERTILIZER DISTRIBUTER



JOHN DEERE

## OPERATORS MANUAL 421B SIDE DRESSING FERTILIZER DISTRIBUTER

OMN97565 (01JUL61) English

OMN97565 (01JUL61)

LITHO IN THE U.S.A.  
ENGLISH



## To the purchaser

The 421B Side Dressing Fertilizer Distributor has been designed to assure positive and accurate placement of fertilizer when side dressing row crops. Flexibility of design makes it adaptable to most row-crop spacing.

In this manual you will find instructions and illustrations for operating, adjusting, lubricating and assembling the fertilizer distributor.

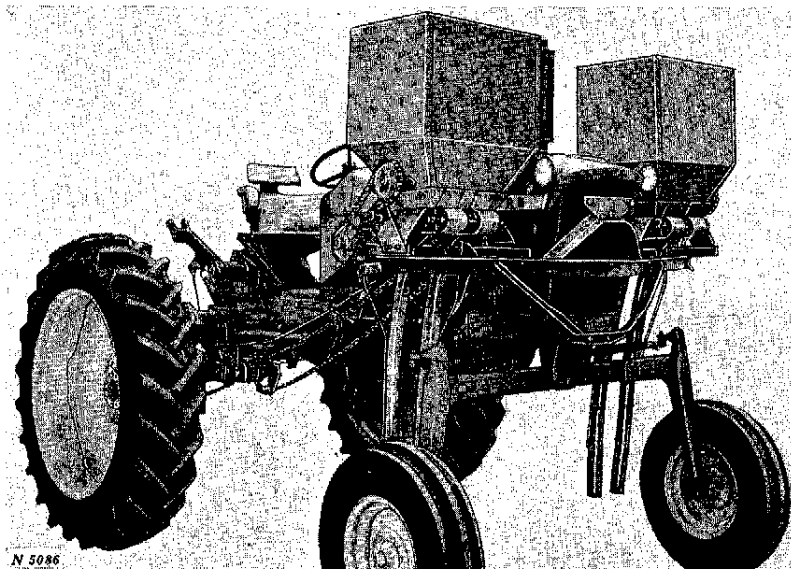
Study this manual carefully and keep it in a convenient place for quick and easy reference. You have purchased a dependable and sturdy implement. But only by proper care and operation can you expect to receive the service and long life designed and built into it.

## Contents

	Page
SPECIFICATIONS . . . . .	1
OPERATION . . . . .	2-4
Fertilizer quantity control	2
Fertilizer feed belts . . . .	2
Fertilizer tubes . . . . .	3
Distributor throw-out rod.	3-4
Cleaning fertilizer hoppers	4
LUBRICATION . . . . .	5
ASSEMBLY . . . . .	6-12

### Location reference

Right-hand and left-hand references in this manual are determined by standing at the rear of the tractor and facing in the direction of travel.

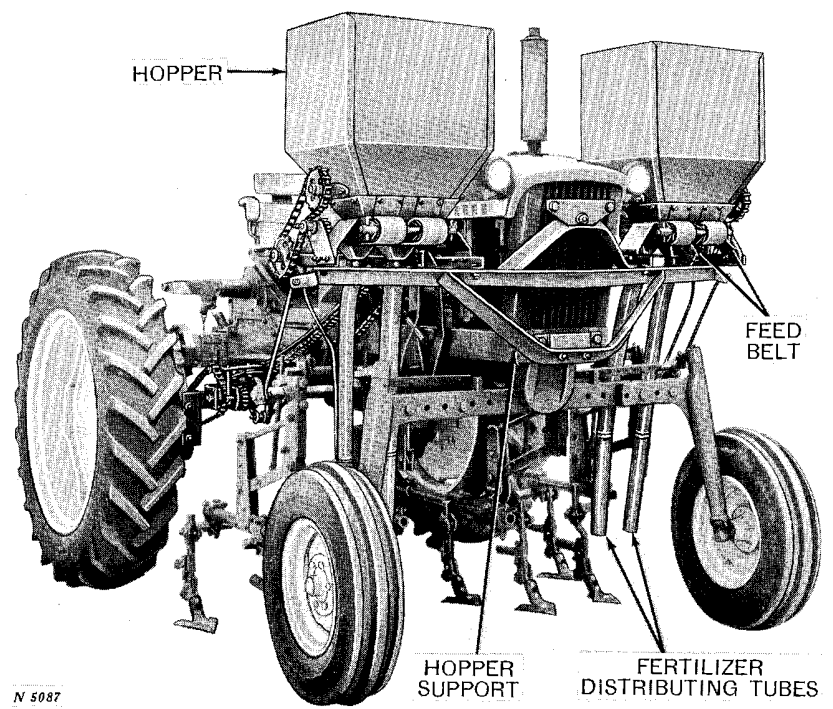


*John Deere 421B Fertilizer Distributor on 2010 Hi-Crop Tractor*

# Specifications

No. of fertilizer hoppers . . . . .	2	<b>Tractors used</b>
Capacity . . . . .	350 pounds fertilizer per hopper	John Deere 2010, 430, 420 or 40 Hi-Crop Tractor.
No. of rows . . . . .	2	<b>Tractor requirements</b>
No. of distributing tubes . . .	2 per hopper	Tractor must be equipped with either single or dual rear rockshaft. 2010 Tractor also must be equipped with front rockshaft.
Distribution rate . . .	135 to 2000 pounds per acre	<b>Cultivators used</b>
		John Deere H2-1 or 4300 Cultivator can be used with the Side Fertilizer Distributor.

*(Specifications and design subject to change without notice)*

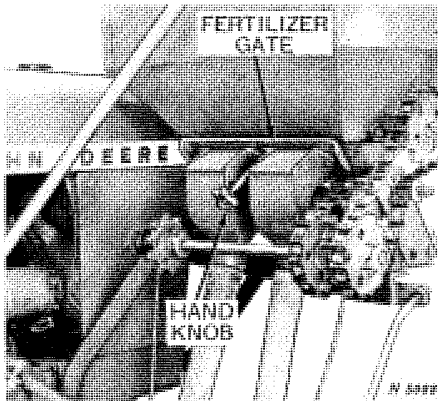


N 5087

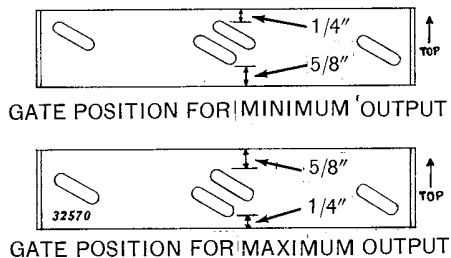
*John Deere 421B Side Fertilizer Distributor with H2-1 Cultivator on 2010 Hi-Crop Tractor*

## Operation

### Fertilizer quantity control



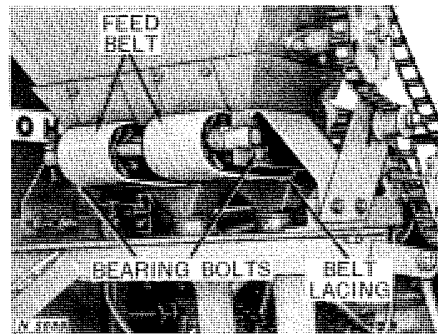
The rate of fertilizer distribution is controlled by a gate at the rear of each hopper. Loosen the hand knob and move the gate to the left to increase the rate of distribution, or to the right to decrease the rate of distribution.



The fertilizer gate is assembled at the factory for maximum distribution (see the illustration above). Turn the gate upside down for minimum distribution range. If a lower output is desired, the filler blocks located in front of the gate and above the feed belt may be removed.

Distribution rates are affected by moisture of content of the fertilizer and type of fertilizer (granulated, pellet, powder, etc.). Therefore, distribution rate should be checked frequently.

### Fertilizer feed belts

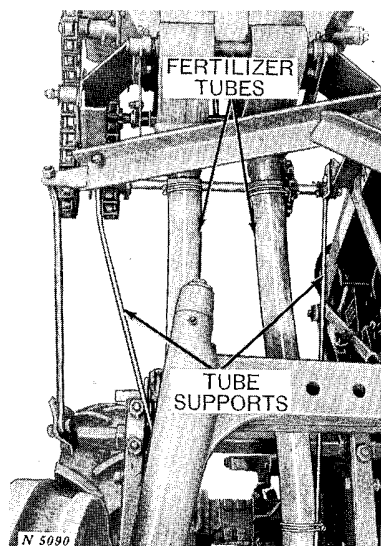


The feed belts move the fertilizer from the bottom of the hopper to the distributing tubes. The feed belts should operate just tight enough to drive without slipping. In high humidity, the belts will shrink; therefore, lacings should be checked daily to prevent damage in operation.

To adjust the belt tension, loosen the bearing bolts and move the front belt shaft. Make sure that both ends of the belt shaft are adjusted evenly.

When replacing belts, a fiber roofing cement should be worked all the way through the lacing to prevent fertilizer from drifting through to the inside of the belt.

### Fertilizer tubes

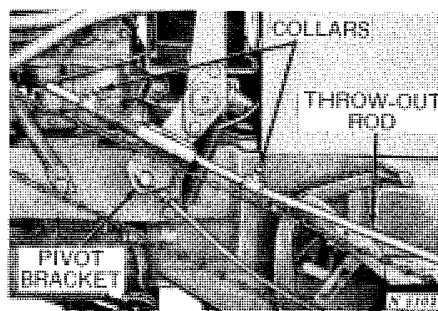


The fertilizer tubes are of rubber, making it possible to place the fertilizer at most any point alongside of the row crop regardless of the row spacing. Bend the tube support rods to position the fertilizer tubes for the desired placement of fertilizer.

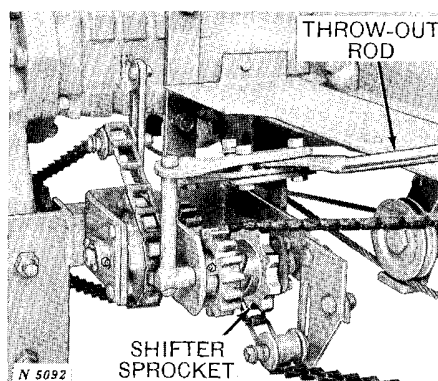
### Distributor throw-out rod

The drive mechanism is engaged and disengaged by a throw-out rod connected to the front tractor rockshaft (2010 Tractor) or to the lift shaft under the center of the tractor (430, 420, or 40 Tractor). Actuating the tractor's rockshaft control lever, engages or disengages the drive mechanism. When the cultivator is on the tractor, the drive mechanism is engaged and disengaged simultaneously with the lowering and raising of the cultivator.

### Throw-out adjustment



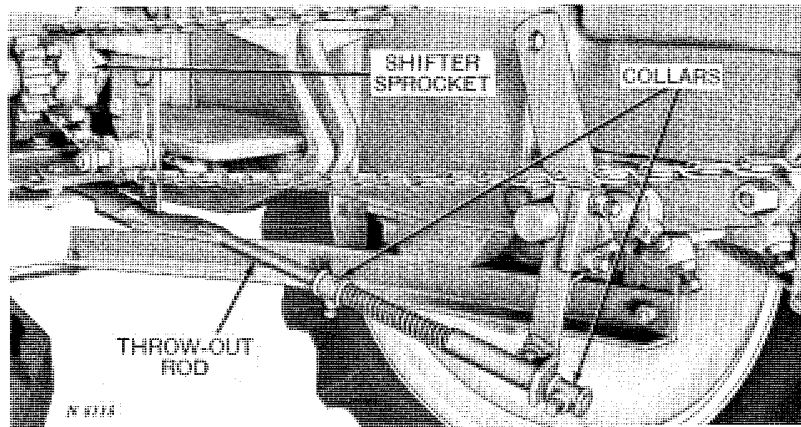
*Throw-out rod on 2010 Tractor with cultivator lowered*



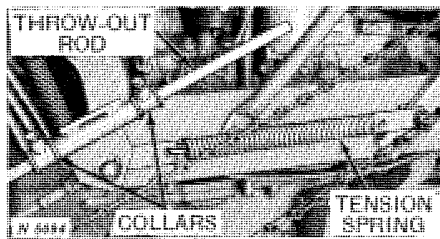
*Drive mechanism on 2010 Tractor*

When the cultivator is attached on the tractor, raise the cultivator to its highest position. Then, with both collars loose on the throw-out rod, move the rod by hand until the shifter sprocket is disengaged. Set the rear collar (2010 Tractor) or front collar (430, 420, or 40 Tractor) against the pivot bracket. Lower the cultivator to operating depth and set the opposite collar with the spring compressed to approximately 5 inches in length. The compression spring on the throw-out rod is used when the cultivator is used on 2010 Tractor. However this spring is used on 430, 420, or 40 Tractor either with or without the cultivator. (See page 4.)

#### 4 operation



Throw-out rod on 430, 420 or 40 Tractor



Tension spring on 2010 Tractor  
without cultivator

On 2010 Tractors when the cultivator is not used, a tension spring is connected to the tractor frame and front rockshaft as illustrated above. In this installation, both collars on the throw-out rod are set against the pivot bracket. Adjust the collars as described on page 3.

#### Cleaning fertilizer hoppers

It is very important that the hoppers be cleaned after each day's use. Most fertilizers accumulate moisture and cause metal parts to corrode. This corrosion not only shortens metal life, but leads to unnecessary expense to replace parts broken because of binding or freezing. Deposits of fertilizers also build up in the hopper and interfere with working parts. Do not leave fertilizers in the hoppers when not in use.

Clean the fertilizer hoppers thoroughly by scraping the fertilizer from the surface of the hoppers, removing the gates and the agitator assembly. After all parts have been removed and cleaned, coat the entire inside of the hoppers with kerosene. Before placing the fertilizer distributor in storage, lubricate all grease fittings.

Thank you so much for reading.  
Please click the “Buy Now!”  
button below to download the  
complete manual.



After you pay.

You can download the most  
perfect and complete manual in  
the world immediately.

Our support email:

[ebooklibonline@outlook.com](mailto:ebooklibonline@outlook.com)