

180 Series Rod Weeder Attachment for Tool Carrier



JOHN DEERE

OPERATORS MANUAL 180 Series Rod Weeder Attachment for Tool Carrier

OMN97589 (01JUL62) English

OMN97589 (01JUL62)

LITHO IN U.S.A.
ENGLISH



To the purchaser

This operator's manual contains necessary information regarding installation, operation, and adjustments for your 180 Series Rod Weeder Attachment.

Study this manual carefully and keep it handy in a safe place for future reference.

Right-hand and left-hand sides referred to are determined from a position at the rear of the machine facing the direction of travel.

If you should find that you require information not covered in this manual, consult your John Deere dealer. He will be glad to answer any question that may arise regarding the operation of your rod weeder attachment. Your John Deere dealer has trained mechanics who are kept informed on the best service methods and will render you prompt service if needed.

Occasionally, your rod weeder attachment may need new parts to replace worn parts. See your John Deere dealer for prompt and efficient parts service.

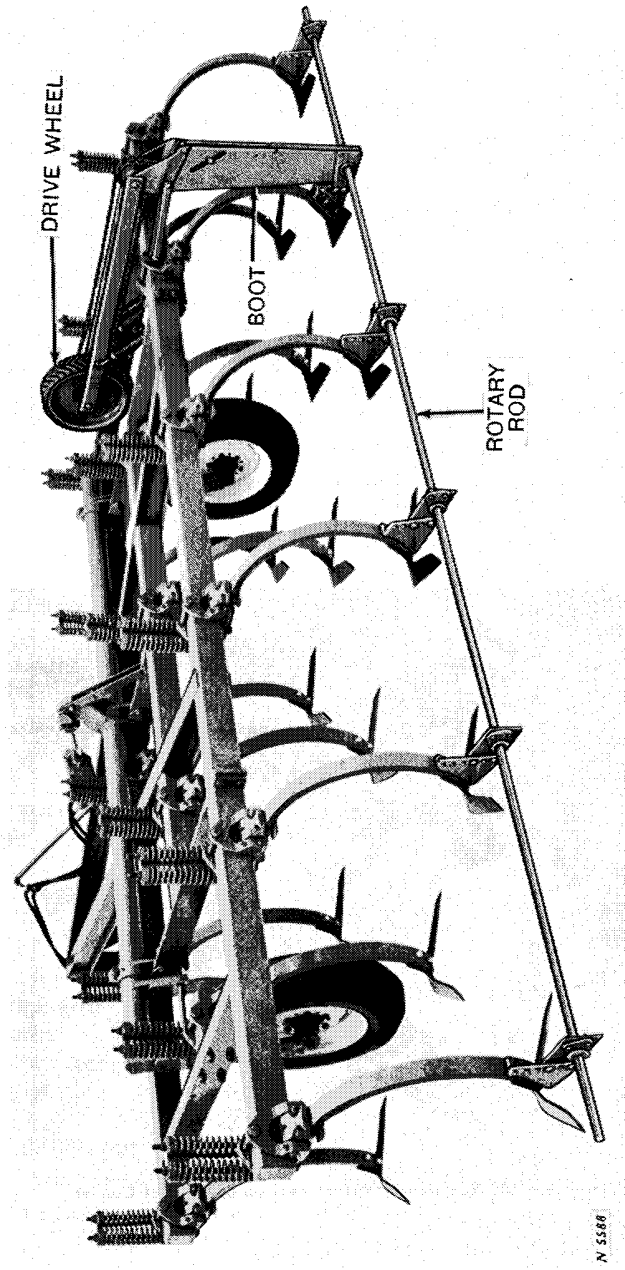
Contents

	Page
SPECIFICATIONS	2
OPERATION AND ADJUST- MENT	3-5
Rotary Rod	3
Leveling Tool Carrier . .	3
Rear Standard Springs . .	3
Drive Wheel and Yoke . .	4-5
Chain Adjustment	5
Dual Drive Attachment . .	6
Safety Suggestions	7
LUBRICATION	7
SHIPPING BUNDLES	7
ASSEMBLY	8-14

JOHN DEERE 180 SERIES ROD WEEDER ATTACHMENT
--

Date Purchased19..

Price



John Deere 186 Rod Weeder Attachment on John Deere 116 Tool Carrier

Specifications

180 Series Rod Weeder Attachment

181—10 Foot Rod for 10 Feet Wide 110 or 651H Tool Carrier

182—12 Foot Rod for 12 Feet Wide 112 or 652H Tool Carrier

184—14 Foot Rod for 14 Feet Wide 114 Tool Carrier

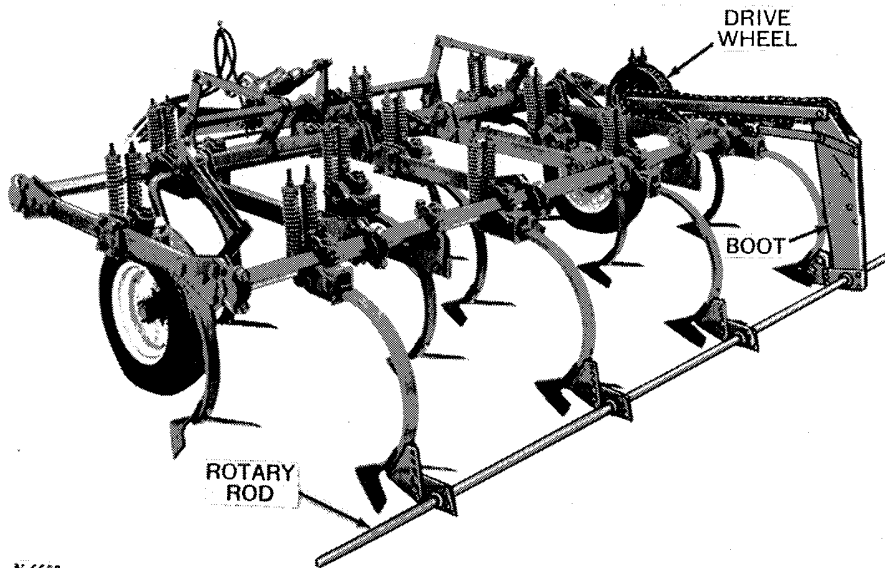
186—16 Foot Rod for 16 Feet Wide 116 or 656H Tool Carrier

Friction drive with semi-pneumatic drive wheel running on carrier wheel.
Rotary rod is chain driven.

Attachments

Dual drive attachment consists of necessary parts to drive the rotary rod from both sides of the tool carrier.

(Specifications and design subject to change without notice)



N 5589

John Deere 180 Rod Weeder Attachment on 652H Tool Carrier

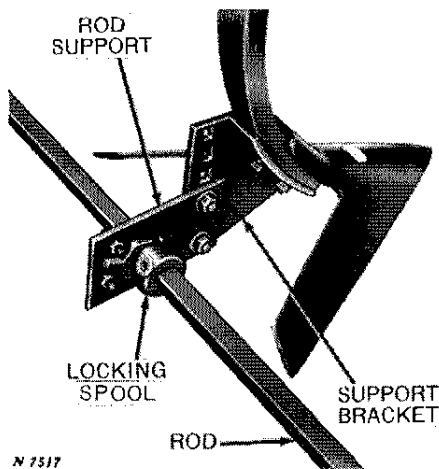
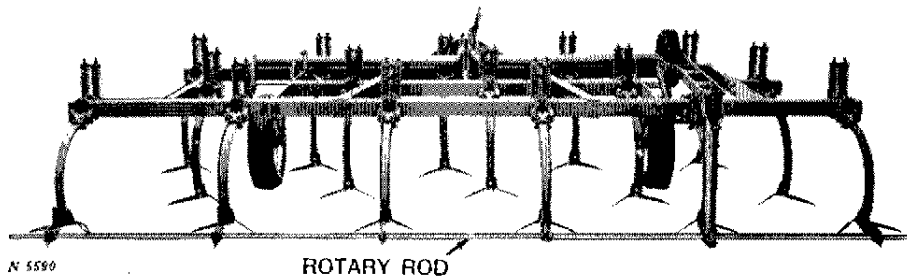
Operation

The 180 Rod Weeder Attachment can be mounted on the rear of any John Deere 100 or 650H Series Tool Carrier.

Two operations, sweeping the

field and rod weeding, can be combined into a once-over operation. The rod weeder attachment makes it possible to close the top layer of soil against water evaporation immediately behind the tool carrier.

Rotary rod



The rotary rod must be level with the tool carrier and must turn freely at all times. When it is properly adjusted there will be no binding when the drive wheel is turned.

Slots are provided in the rod supports so the rod can be leveled and aligned properly. The rod should be centered and the set screw in the

locking spool should be tight at all times.

The rod can be set at any of four working depths. The deepest position is shown at left. Change the position of the rod supports on the support brackets for various working depths.

Rear standard springs

Tighten springs on the back row of flat cushion spring standard clamps as much as possible, to reduce movement of the standards.

Leveling tool carrier

Adjust the tool carrier so it is level from side to side and from front to rear when in operation. If it cannot be adjusted so it is exactly level from front to rear, it is better to have the front of the carrier a little lower than the rear.

Thank you so much for reading.
Please click the “Buy Now!”
button below to download the
complete manual.



After you pay.

You can download the most
perfect and complete manual in
the world immediately.

Our support email:

ebooklibonline@outlook.com