

JOHN DEERE
WORLDWIDE COMMERCIAL & CONSUMER
EQUIPMENT DIVISION

Powerhead - PA01186
CS71 20" - UT10919
CS71 24" - UT10920
CS71 28" - UT10921

Powerhead - PA01187
CS81 20" - UT10923
CS81 24" - UT10924
CS81 28" - UT10925

Chain Saws

OPERATOR'S MANUAL



JOHN DEERE

OM PS04120 K3

INTRODUCTION

Thank You for Purchasing a John Deere Product

We appreciate having you as a customer and wish you many years of safe and satisfied use of your machine.

Record your Identification numbers below. Be sure you have Serial Number and Unit (UT) Number, your dealer will need these when you order parts.

The Operator's Manual

Your operator's manual is for your protection. READ IT. Keep it handy for reference. Know what you are doing before you begin assembly of the unit. Proper preparation and upkeep go hand-in-hand with satisfactory performance of the saw and safety.

This manual should be considered a permanent part of your machine and should remain with the machine if you sell it.

UT Number _____

Model _____

Serial Number _____



WARNING

The engine exhaust from this product contains chemicals known to the State of California to cause cancer, birth defects or other reproductive harm.

CALIFORNIA PROPOSITION 65

All information, illustrations and specifications in this manual may vary according to Country requirements and are subject to change without notice by the manufacturer.

All information, illustrations and specifications in this manual are based on the latest information at the time of publication. The right is reserved to make changes at any time without notice.

©2000 Deere & Co.

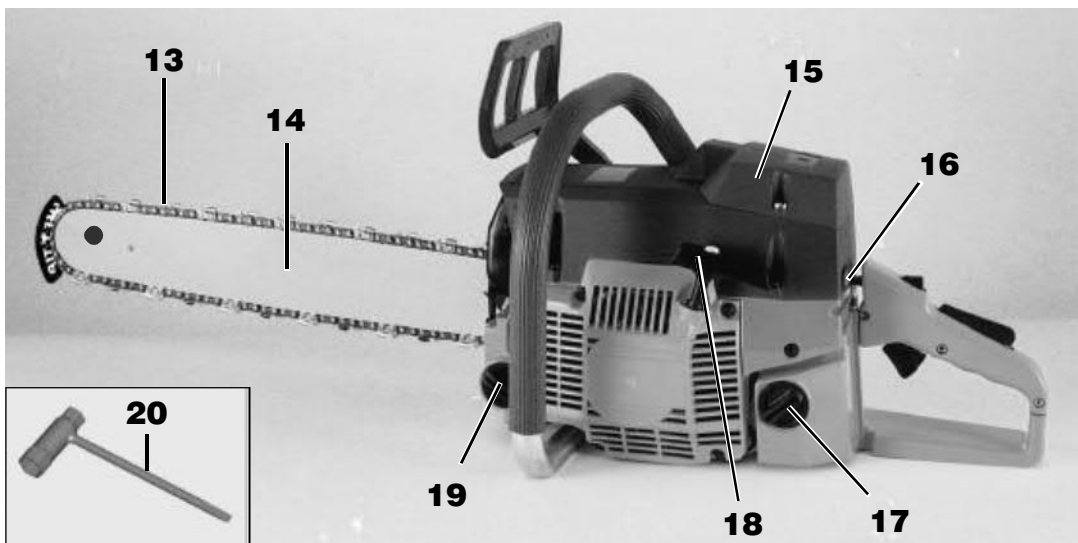
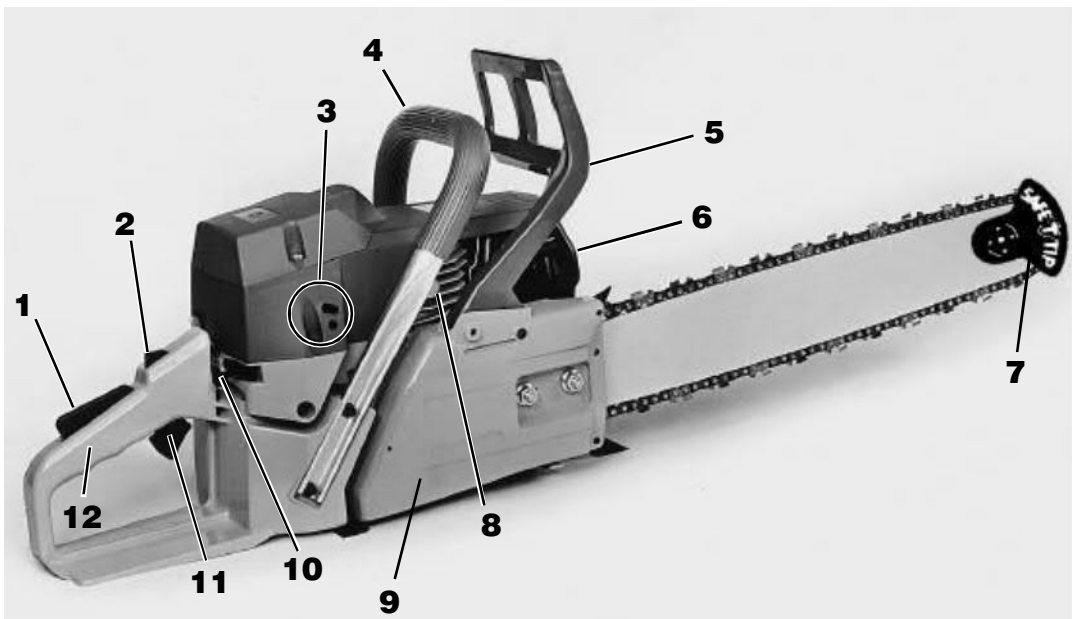
TABLE OF CONTENTS

Product Identification	
Chain Saw Components	4
Safety	
Understanding Safety Labels	5
State and Local Requirements	5
Precautions Against Kickback	6
Basic Safety Precautions	6
Understanding Your Chain Saw Safety Devices	8
Assembly	
Assembling the Bar and Chain	9
Operation	
Chain Tension	11
Breaking-in the Chain	11
Bucking Spike	11
Fueling	12
Chain Oil System	12
Starting the Engine	13
Breaking-in the Engine	13
Stopping the Engine	13
Carburetor Adjustment	13
Chain Brake Operation	14
Preparation for Cutting	15
Tree Felling	16
Bucking	17
Limbing and Pruning	18
Maintenance	
Maintenance Chart	19
Chain Maintenance	20
Guide Bar Maintenance	21
Installing the Safe-T-Tip® Nose Guard	22
Fuel Filter	22
Air Filter	22
Starter Unit	22
Engine	23
Spark Plug	23
Spark Arresting Muffler	23
Chain Brake	24
Oil Pump (Automatic/Adjustable)	24
Bar and Chain Combinations	
Recommended Bar and Chain Combinations	25
Troubleshooting	
Using Troubleshooting Chart	26
Storage	
Storing Chain Saw (1 month or longer)	27
Technical Data	
CS71	27
CS81	27
Warranty	
Limited Warranty	28
Federal Emissions Warranty	29

PRODUCT IDENTIFICATION

Chain Saw Components

- | | |
|------------------------------------|-------------------------|
| 1 - Throttle Trigger Lockout | 12 - Rear Handle |
| 2 - Half Throttle Lock | 13 - Chain |
| 3 - Carburetor Adjustment Screws | 14 - Guide Bar |
| 4 - Front Handle | 15 - Air Filter Cover |
| 5 - Chain Brake Lever / Hand Guard | 16 - Ignition Switch |
| 6 - Muffler | 17 - Fuel Tank Cap |
| 7 - Safe-T-Tip® | 18 - Starter Handle |
| 8 - Compression Relief Valve | 19 - Oil Tank Cap |
| 9 - Clutch Cover | 20 - Combination Wrench |
| 10 - Choke Lever | |
| 11 - Throttle Trigger | |



SAFETY

Understanding Safety Labels



This symbol indicates Warning, Danger, and Caution.



Wear eye, hearing and head protection when operating this equipment.



The SAFE-T-TIP® Nose Guard on your bar nose prevents kickback.



Your manual contains special messages to bring attention to potential safety concerns, machine damage as well as helpful operating and servicing information. Please read all the information carefully to avoid injury and machine damage.



DANGER! Beware of Kickback.



Wear non-slip, heavy-duty protective gloves when handling the chain saw and saw chain.



Avoid bar nose contact.



Hold saw properly with both hands.

State and Local Requirements

Your saw is equipped with a temperature limiting muffler, a spark arresting screen and dual bucking spikes in order to comply with the requirements of SAE Recommended Practice J335 and California Codes 4442 and 4443. **All national forest land and land managed by the states of California, Maine, Washington, and Oregon require internal combustion engines to be equipped with a spark arrester screen by law. Other states and federal agencies are enacting similar regulations.**

If you operate a chain saw in a state or locale where such regulations exist, you are legally responsible for maintaining the operating condition of these parts. Failure to do so is a violation of a law. **Spark arrester maintenance is described in the Maintenance-Spark Arresting Muffler Section of the manual.**

WARNING

Muffler surfaces are very hot during and after operation of the chain saw, keep all body parts away from the muffler. Serious burns may occur if contact is made with the muffler.

WARNING

Exposure to vibrations through prolonged use of gasoline powered hand tools could cause blood vessel or nerve damage in the fingers, hands, and wrists of people prone to circulation disorders or abnormal swellings. Prolonged use in cold weather has been linked to blood vessel damage in otherwise healthy people. If symptoms occur such as numbness, pain, loss of strength, change in skin color or texture, or loss of feeling in the fingers, hands, or wrists, discontinue the use of this tool and seek medical attention.

Thank you so much for reading.
Please click the “Buy Now!”
button below to download the
complete manual.



After you pay.

You can download the most
perfect and complete manual in
the world immediately.

Our support email:

ebooklibonline@outlook.com