

JOHN DEERE 1065 WAGON



JOHN DEERE

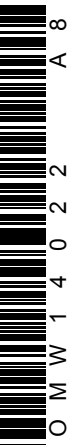
OPERATORS MANUAL

JOHN DEERE
1065 WAGON

OMW14022 A8 English

OMW14022 A8

LITHO IN THE U.S.A.
ENGLISH



TO THE PURCHASER

This manual contains valuable information about your 1065 Wagon. In this manual you will find instructions and helpful suggestions for operating and servicing your new wagon.

Keep this manual in a convenient place for quick and easy reference. Use it as a guide whenever questions arise. You have purchased a dependable, sturdy wagon, but only by proper care and operation can you expect to receive the service and long life designed and built into it.

STUDY THIS MANUAL CAREFULLY AND KEEP IT HANDY IN A SAFE PLACE FOR FUTURE REFERENCE



If you need additional information, or if your 1065 Wagon requires special servicing, see your John Deere dealer. He has all the facilities required to keep your wagon in A-1 condition. He will be glad to serve you.

Sometime in the future your wagon may need new parts, to replace worn or broken parts or for emergency repairs. If so, go to your John Deere dealer. He will see that you get high-quality, genuine John Deere parts.

By giving your wagon proper attention during slack periods it will always be ready for use, without delays, when you need it.

Information concerning warranty on this wagon appears on your copy of the Delivery Receipt which you should have received from your dealer when the wagon was delivered to you.

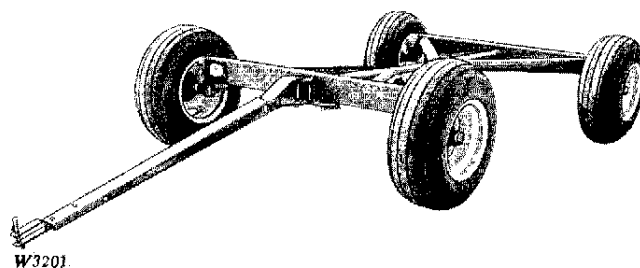
Wagon Serial No.	(See Page 2 for Location)
Date of Purchase	(To Be Recorded by Purchaser)

Price \$

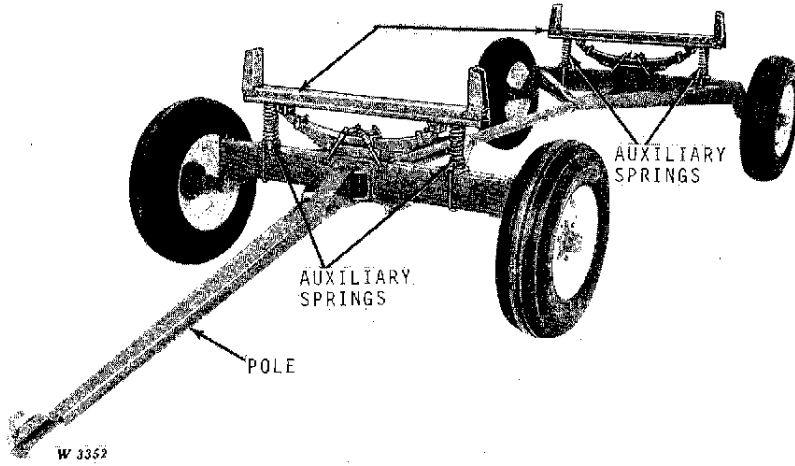
CONTENTS

	Page
IDENTIFICATION VIEWS	1-2
SPECIFICATIONS	3
OPERATION AND ADJUSTMENT	4-6
Load Capacity and Tires	4
Load Distribution	4
Chassis	4
Wheel Base	5
Wheels and Bearings	5
Wheel Toe-In	6
EXTRA EQUIPMENT	7-9
Telescoping Adjustable Hitch Pole	7
Long Reach	7
Extra Long Reach	7
Auxiliary Springs	8
SAFETY SUGGESTIONS	9
LUBRICATION	10
ASSEMBLY	11-14
Shipping Bundles	11
Attaching Wheels	12
Connecting Front and Rear Frames	12
Attaching Pole and Bolsters	13
Attaching Spring Bolsters	14

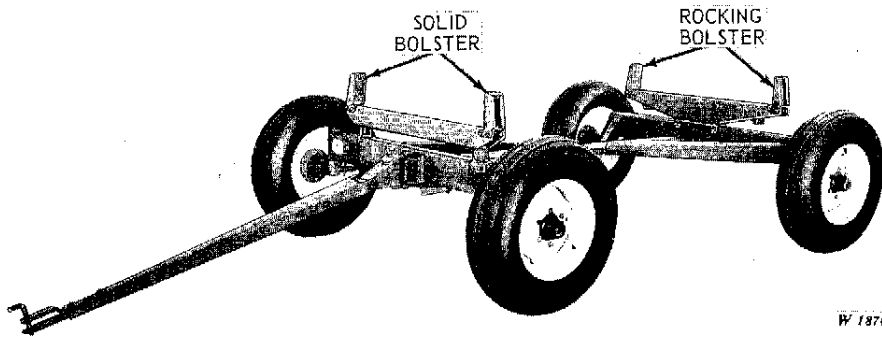
IDENTIFICATION VIEWS



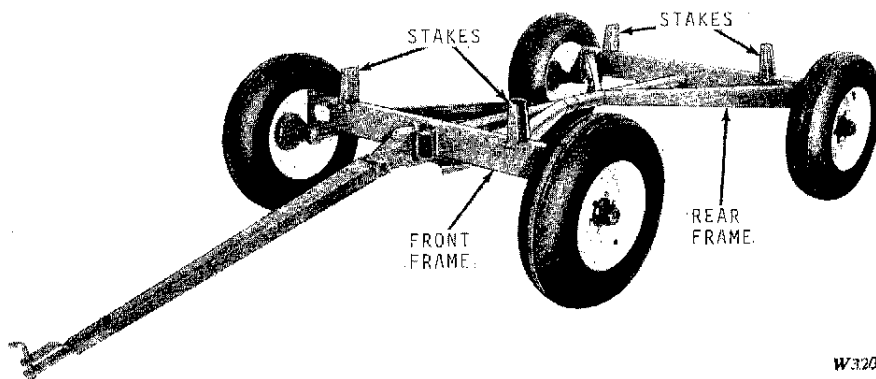
*1065 Wagon with No Stakes Equipped
with 11.00-15, 8-Ply Implement Tires*



1065 Wagon with Spring Bolsters and Auxiliary Springs



1065 Wagon with Solid Front and Rocking Rear Bolsters



1065 Wagon with No Bolsters

Thank you so much for reading.
Please click the “Buy Now!”
button below to download the
complete manual.



After you pay.

You can download the most
perfect and complete manual in
the world immediately.

Our support email:

ebooklibonline@outlook.com