



**John Deere**

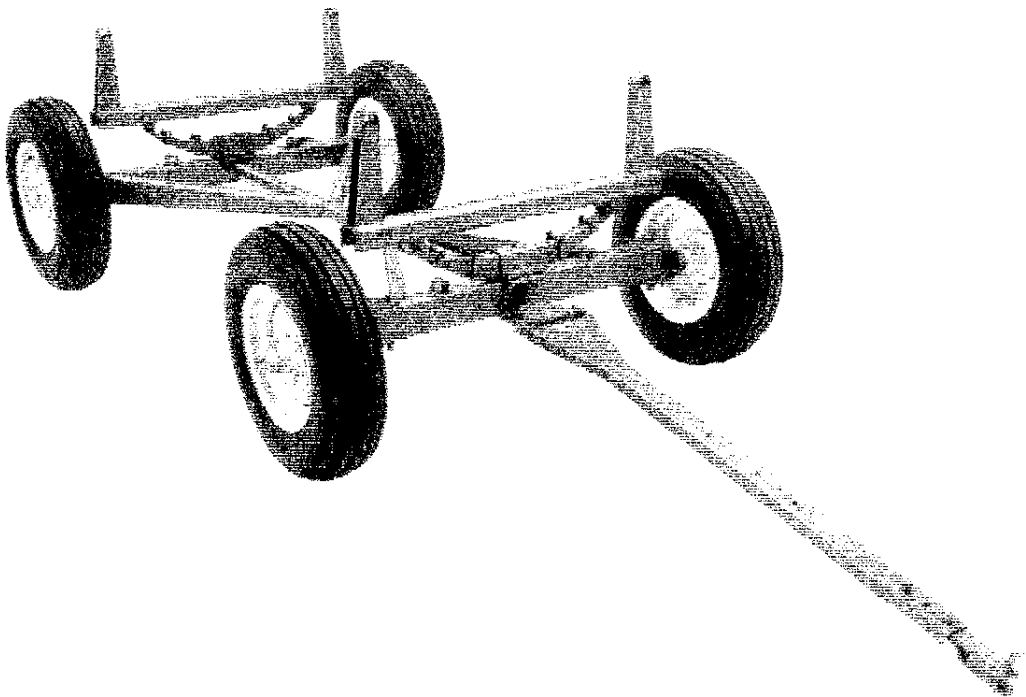
**Operator's Manual**

**963**

**OM-W21301**

**Wagon**

**Issue D1**






## To the Purchaser

---

This new wagon was carefully designed and manufactured to give years of dependable service. To keep it running efficiently, read the instructions in this operator's manual. Each section is clearly identified so you can easily find the information you need—whether it is operation, lubrication, or periodic service. Read the Table of Contents to learn where each section is located.

 This safety alert symbol identifies important safety messages in this manual. When you see this symbol, be alert to the possibility of personal injury and carefully read the message that follows.

Record your wagon serial number in the space provided on page 12. Your dealer needs this information to give you prompt efficient service when you

order parts or attachments. If your wagon requires replacement parts, go to your John Deere dealer where you can obtain Genuine John Deere parts—accept no substitutes.

By giving your wagon proper attention during slack periods, it will always be ready for use without delays when you need it.

References to right-hand and left-hand sides in this manual are determined by standing at the rear of the wagon and facing in the direction of travel.

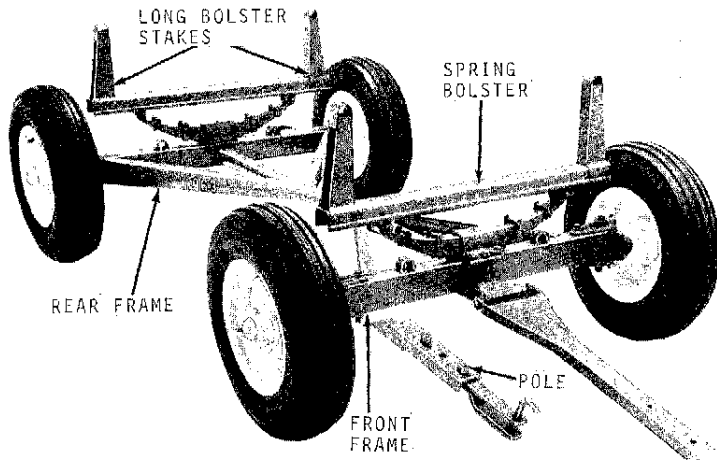
The warranty on this wagon appears on your copy of the purchase order which you should have received from your dealer when you purchased the Wagon.



# Contents

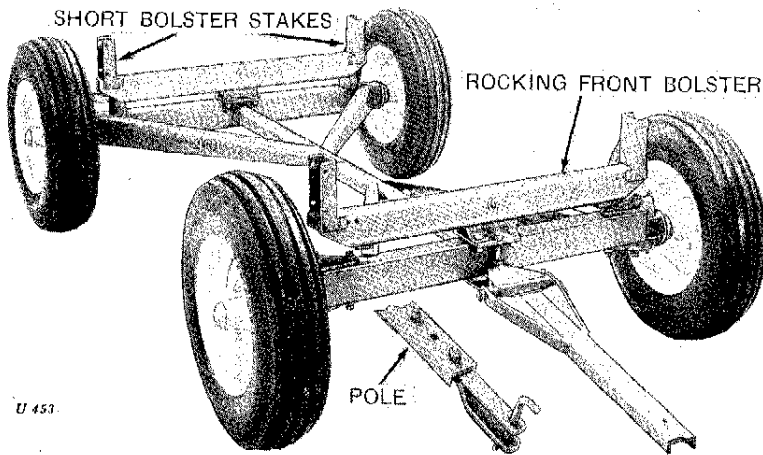
---

	Page
IDENTIFICATION VIEWS .....	2
OPERATION .....	3-6
Load Capacity .....	3
Tire Inflation .....	3
Load Distribution .....	3
Checking Wheel Bolts .....	3
Checking Chassis .....	3
Adjusting Wheel Base .....	4
Telescoping Adjustable Hitch Pole .....	4
Long Reach .....	5
Extra Long Reach .....	5
Ball and Socket Hitch .....	5
Auxiliary Springs .....	6
Tractor Pole .....	6
SAFETY .....	7
LUBRICATION AND PERIODIC SERVICE .....	8-9
Lubrication .....	8
Inspecting and Adjusting Wheel Bearings .....	9
Adjusting Wheel Toe-In .....	9
ASSEMBLY .....	10-12
General .....	10
Shipping Bundles .....	10
Wheels .....	11
Front and Rear Frames .....	11
Pole and Bolsters .....	12
SPECIFICATIONS .....	13



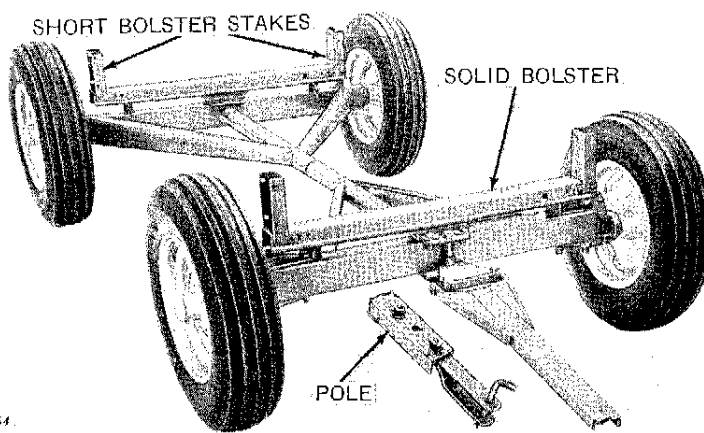
W 3337

John Deere 963 Wagon with Spring Bolster



U 453

John Deere 963 Wagon with Rocking Front Bolster



U 454

John Deere 963 Wagon with Solid Bolster

Thank you so much for reading.  
Please click the “Buy Now!”  
button below to download the  
complete manual.



After you pay.

You can download the most  
perfect and complete manual in  
the world immediately.

Our support email:

[ebooklibonline@outlook.com](mailto:ebooklibonline@outlook.com)