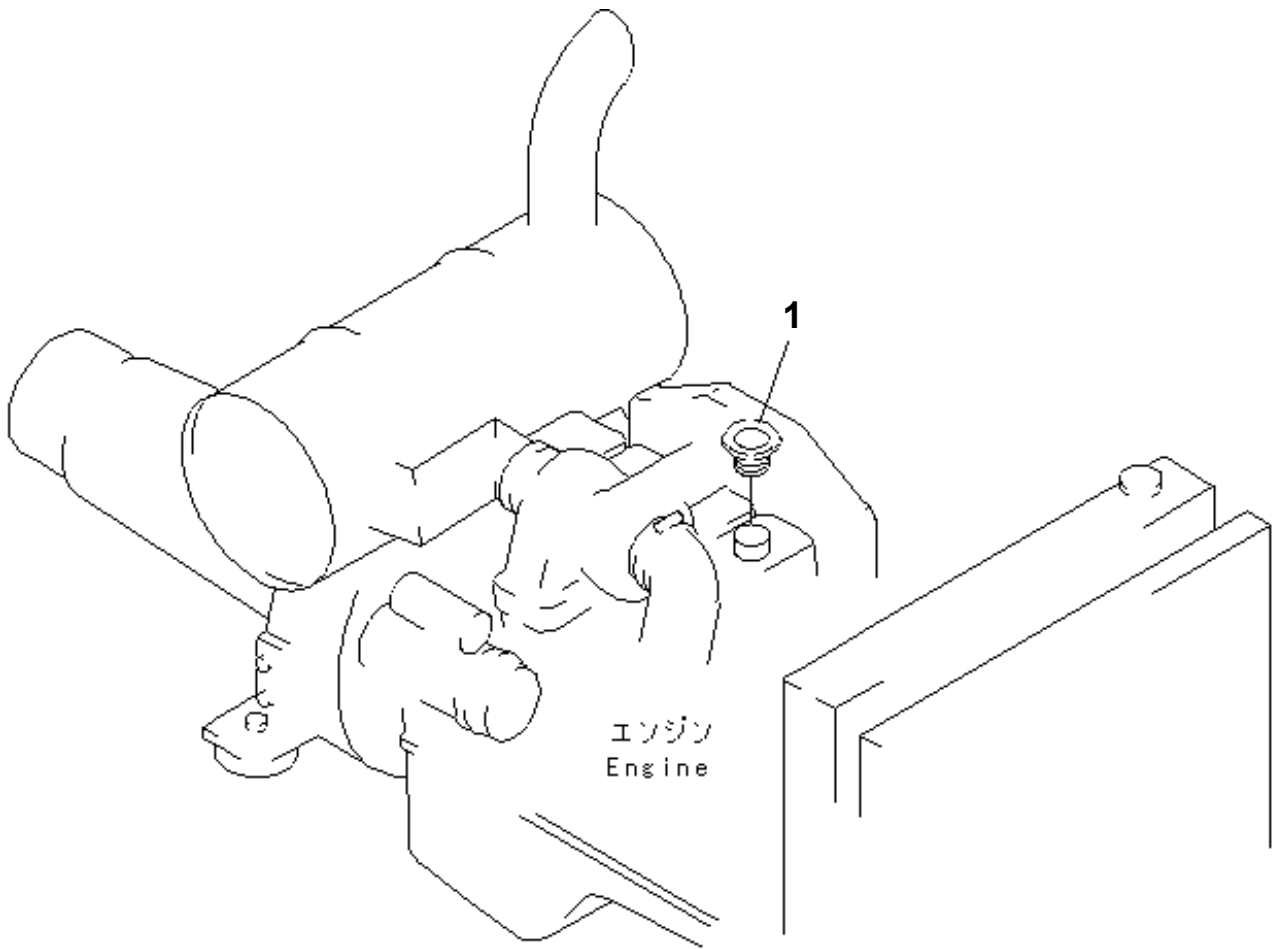


PW170ES-6K S/N K30001-UP
KOMATSU PW170ES-6K S/N K30001-UP

Item	Description	Book	Page
	SAA4D102E-2-PW ENGINE S/N 21535567-UP	saa4d10u	
	SA4D102E-1AB ENGINE S/N 21240928-UP	sa4d102u	
B0	ENGINE RELATED PARTS		030000
C0	COOLING SYSTEM		060000
D0	FUEL TANK AND RELATED PARTS		090000
E0	ELECTRICAL SYSTEM		120000
F0	POWER TRAIN		150000
H0	HYDRAULIC SYSTEM		180000
J0	MAIN/REVOLVING FRAME AND RELATED PARTS		210000
K0	OPERATOR'S COMPARTMENT AND CONTROL SYSTEM		240000
M0	GUARD		270000
N0	SWING CIRCLE AND RELATED PARTS		300000
P0	TRAVEL AND LOWER PIPING		330000
S0	SUSPENTION AND WHEEL		360000
T0	WORK EQUIPMENT		390000
U0	MARKS AND PLATES		420000
V0	ACCESSORY		450000
W0	MISCELLANEOUS		480000
X0	SPECIAL PRODUCT		510000
Y0	SERVICE KIT AND COMPONENT PARTS		540000

**PW170ES-6K S/N K30001-UP
ENGINE RELATED PARTS**

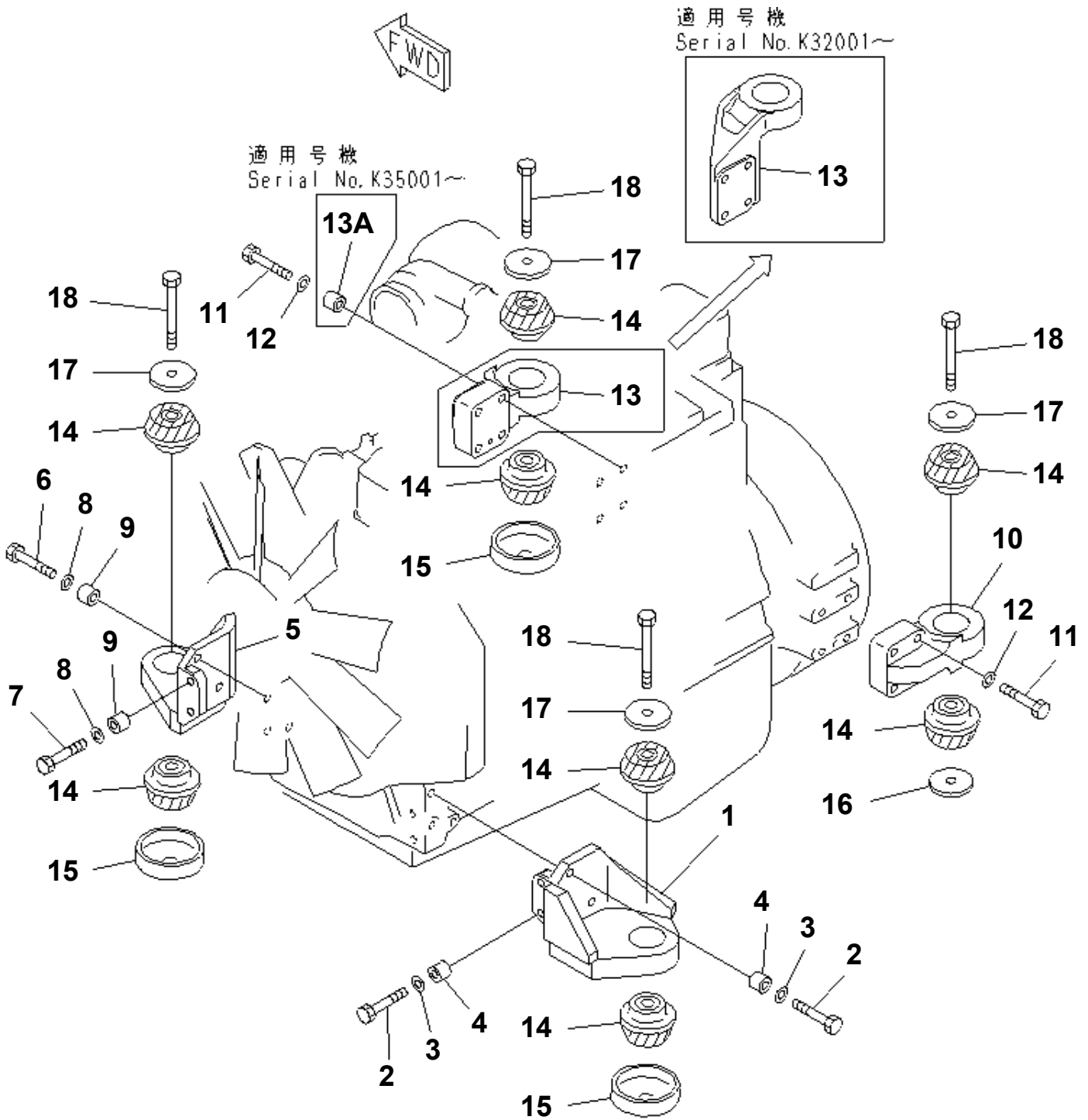
Item	Description	Qty	Page
10	ENGINE RELATED PARTS	1	030010
20	ENGINE MOUNT	1	030020
30	AIR CLEANER CONNECTION (FOR DOUBLE ELEMENT)(#K30001-K31999)	1	030030
40	AIR CLEANER CONNECTION (FOR DOUBLE ELEMENT)(#K32001-)	1	030040
50	MUFFLER(#K30001-K31999)	1	030050
60	MUFFLER(#K32001-K35000)	1	030060
70	MUFFLER(#K35001-)	1	030070
80	FUEL CONTROL(#K30001-K31999)	1	030080
90	FUEL CONTROL(#K32001-K35000)	1	030090
100	FUEL CONTROL(#K35001-)	1	030100
110	WIRING (ENGINE HARNESS)(#K30001-K31999)	1	030110
120	WIRING (ENGINE HARNESS)(#K32001-)	1	030120
130	DAMPER	1	030130
140	ENGINE STEP(#K30001-K31999)	1	030140
150	TURBO COVER(#K32001-)	1	030150



PEB5931

**PW170ES-6K S/N K30001-UP
ENGINE RELATED PARTS**

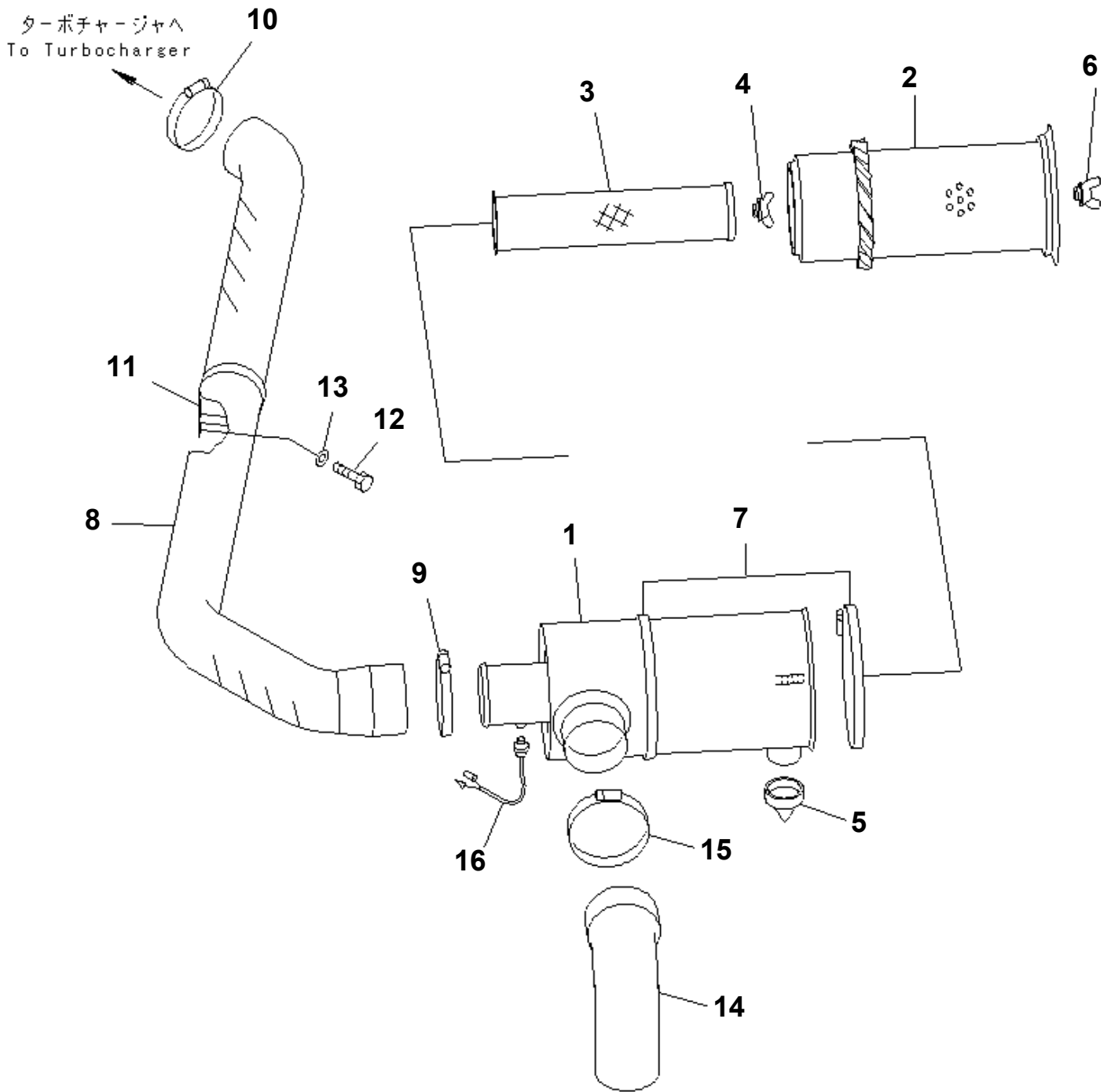
Item	Part No.	Description	Qty	Options
1	6130-12-8610	CAP	1	SN:K30001--



0 0 0 0 0 3 4 2

**PW170ES-6K S/N K30001-UP
ENGINE MOUNT**

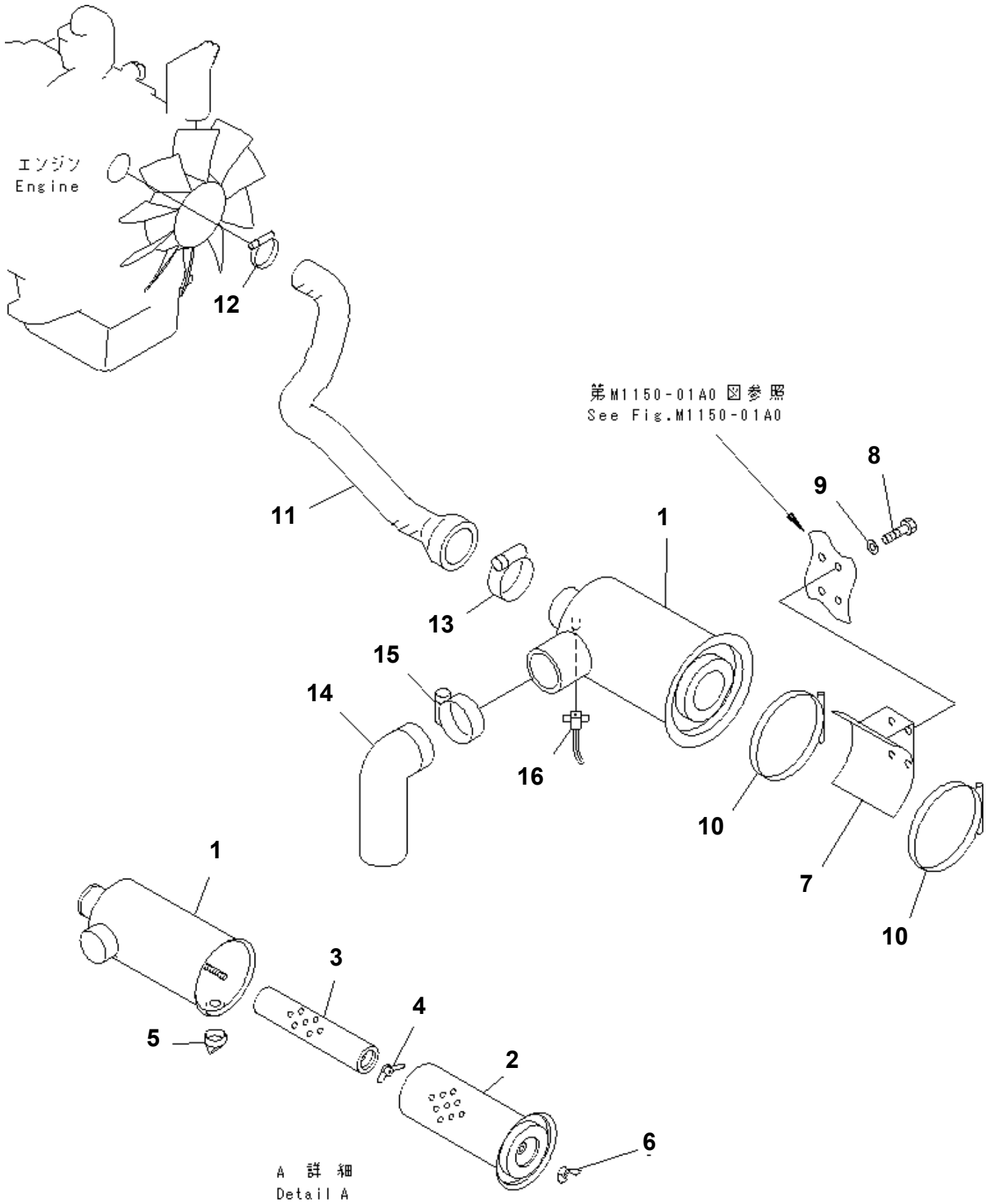
Item	Part No.	Description	Qty	Options
1	21P-01-K1253	BRACKET,L.H.	1	SN:K30001--
2	01010-81265	BOLT	5	SN:K30001--
3	01643-31232	WASHER	5	SN:K30001--
4	6131-22-3750	BOSS	5	SN:K30001--
5	21P-01-K1261	BRACKET,R.H.	1	SN:K30001--
6	21W-01-15150	BOLT	3	SN:K30001--
7	01010-81265	BOLT	2	SN:K30001--
8	01643-31232	WASHER	5	SN:K30001--
9	6131-22-3750	BOSS	5	SN:K30001--
10	203-01-56111	BRACKET	1	SN:K30001--
11	21W-01-15150	BOLT	8	SN:K30001--
12	01643-31232	WASHER	8	SN:K30001--
13	203-01-61120	BRACKET	1	SN:K32001--
	203-01-56111	BRACKET	1	SN:K30001--K31999
13A	6131-22-3750	BOSS	4	SN:K35001--
14	103-01-31130	CUSHION	8	SN:K30001--
15	20X-01-22170	STOPPER	3	SN:K30001--
16	21W-01-15130	WASHER	1	SN:K30001--
17	113-01-21120	WASHER	4	SN:K30001--
18	01011-81620	BOLT	4	SN:K35001--
	01011-61620	BOLT	4	SN:K30001--K35000



PDB5933

AIR CLEANER CONNECTION (FOR DOUBLE ELEMENT)(#K30001-K31999)

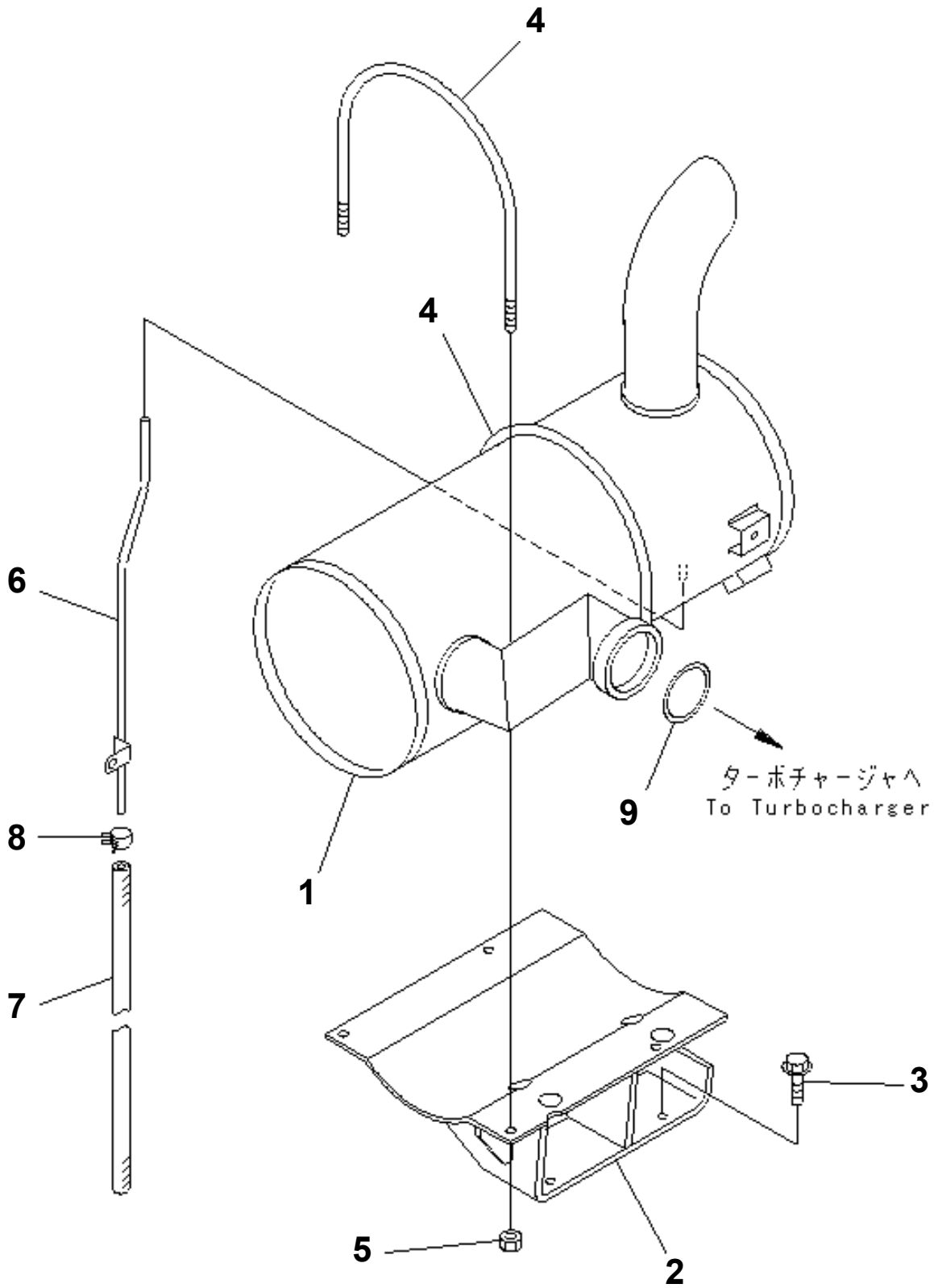
Item	Part No.	Description	Qty	Options
	20E-01-K1151	AIR CLEANER ASS'Y,AIR	1	SN:K30001--@
1	☆	· BODY	1	SN:K30001--@
2	203-01-K1130	· ELEMENT	1	SN:K30001--@
3	203-01-K1290	· ELEMENT	1	SN:K30001--@
4	203-01-K1310	· NUT	1	SN:K30001--@
5	20E-01-K1170	· VALVE	1	SN:K30001--@
6	20E-01-K1180	· NUT	1	SN:K30001--@
7	07281-02169	CLAMP	2	SN:K30001--@
8	21P-01-K1241	HOSE	1	SN:K30001--K31999
9	07281-01029	CLAMP	1	SN:K30001--@
10	07281-00909	CLAMP	1	SN:K30001--@
11	21P-01-K1270	CLIP	1	SN:K30001--K31999
12	01010-81220	BOLT	1	SN:K30001--K31999
13	01643-31232	WASHER	1	SN:K30001--K31999
14	20E-01-K1310	TUBE	1	SN:K30001--@
15	07281-01159	CLAMP	1	SN:K30001--@
16	7861-91-1420	SENSOR,AIR CLEANER	1	SN:K30001--@



PVK8016

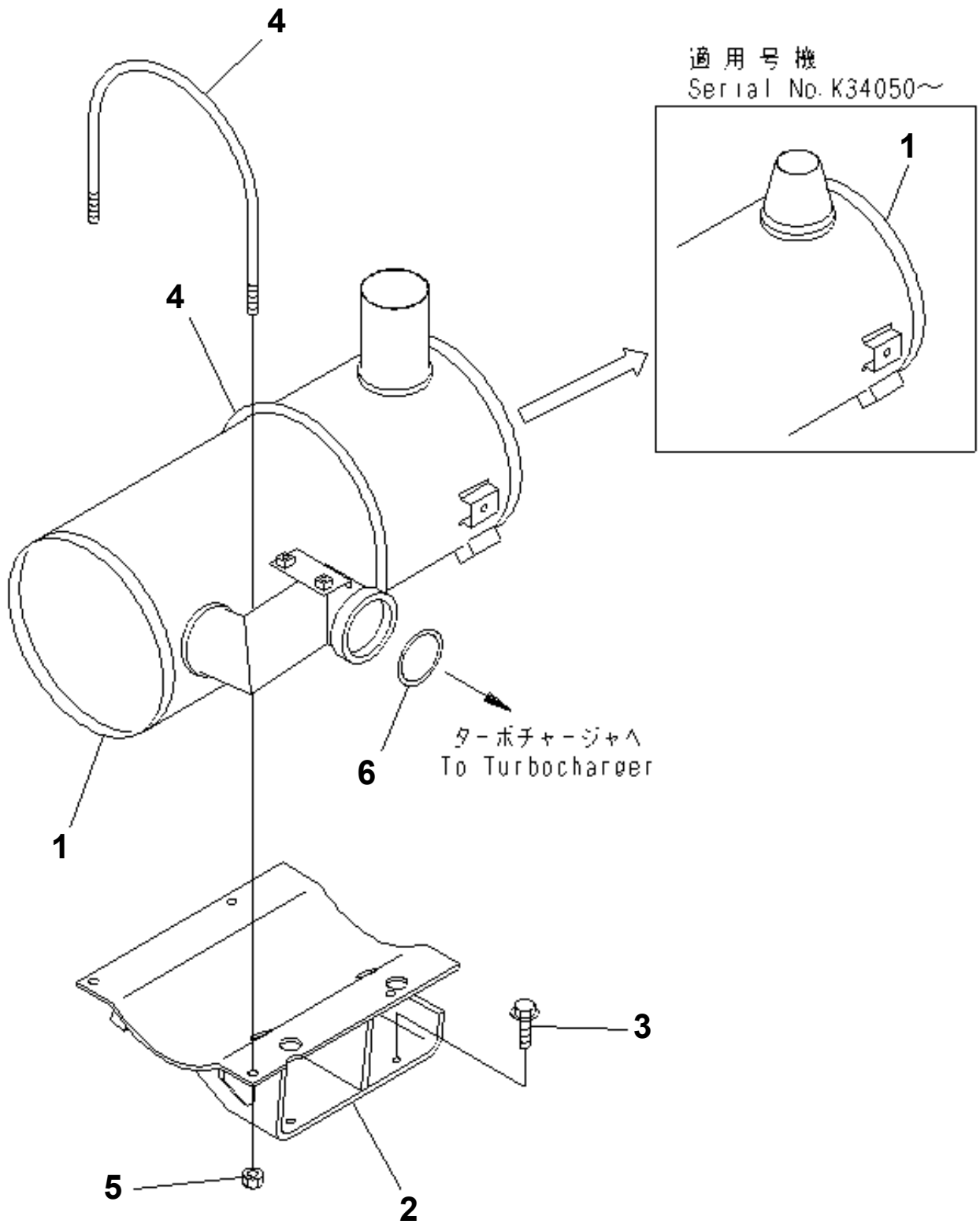
AIR CLEANER CONNECTION (FOR DOUBLE ELEMENT)(#K32001-)

Item	Part No.	Description	Qty	Options
1	20E-01-K1151	AIR CLEANER ASS'Y,AIR	1	SN:K30001--
1	☆	· BODY	1	SN:K30001--
2	203-01-K1130	· ELEMENT	1	SN:K30001--
3	203-01-K1290	· ELEMENT	1	SN:K30001--
4	203-01-K1310	· NUT	1	SN:K30001--
5	20E-01-K1170	· VALVE	1	SN:K30001--
6	20E-01-K1180	· NUT	1	SN:K30001--
7	20G-54-K2910	BRACKET	1	SN:K35001--
	20E-54-K1960	BRACKET	1	SN:K32001--K35000
8	01010-81220	BOLT	4	SN:K32001--
9	01643-31232	WASHER	4	SN:K32001--
10	07281-02169	CLAMP	2	SN:K30001--
11	20G-01-K3121	HOSE	1	SN:K35001--
	20G-01-K3110	HOSE	1	SN:K32001--K35000
12	07281-01029	CLAMP	1	SN:K30001--
13	07281-00909	CLAMP	1	SN:K30001--
14	20E-01-K1310	TUBE	1	SN:K30001--
15	07281-01159	CLAMP	1	SN:K30001--
16	7861-91-1420	SENSOR,AIR CLEANER	1	SN:K30001--



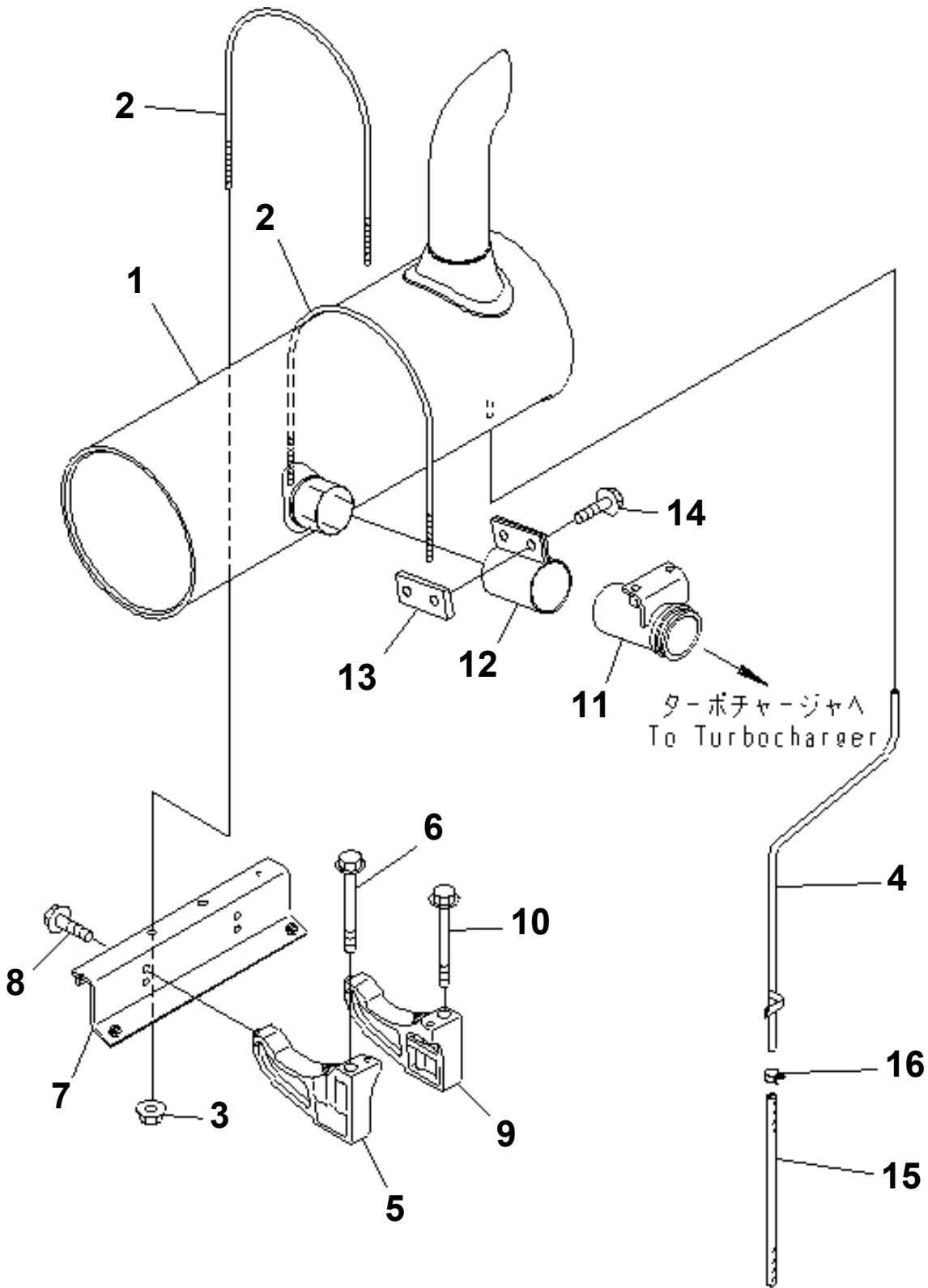
**PW170ES-6K S/N K30001-UP
MUFFLER(#K30001-K31999)**

Item	Part No.	Description	Qty	Options
1	21P-01-K1192	MUFFLER	1	SN:K30001--K31999
2	20Y-01-K1211	BRACKET	1	SN:K30001--K31999
3	01435-01025	BOLT	4	SN:K30001--@
4	6222-11-5940	U-BOLT	2	SN:K30001--@
5	01594-01008	NUT	4	SN:K30001--@
6	21P-01-K1291	TUBE	1	SN:K30001--@
7	07260-20928	HOSE	1	SN:K30001--@
8	07285-00155	CLIP	1	SN:K30001--@
9	21P-01-K1380	RING,SEAL	1	SN:K30001--@



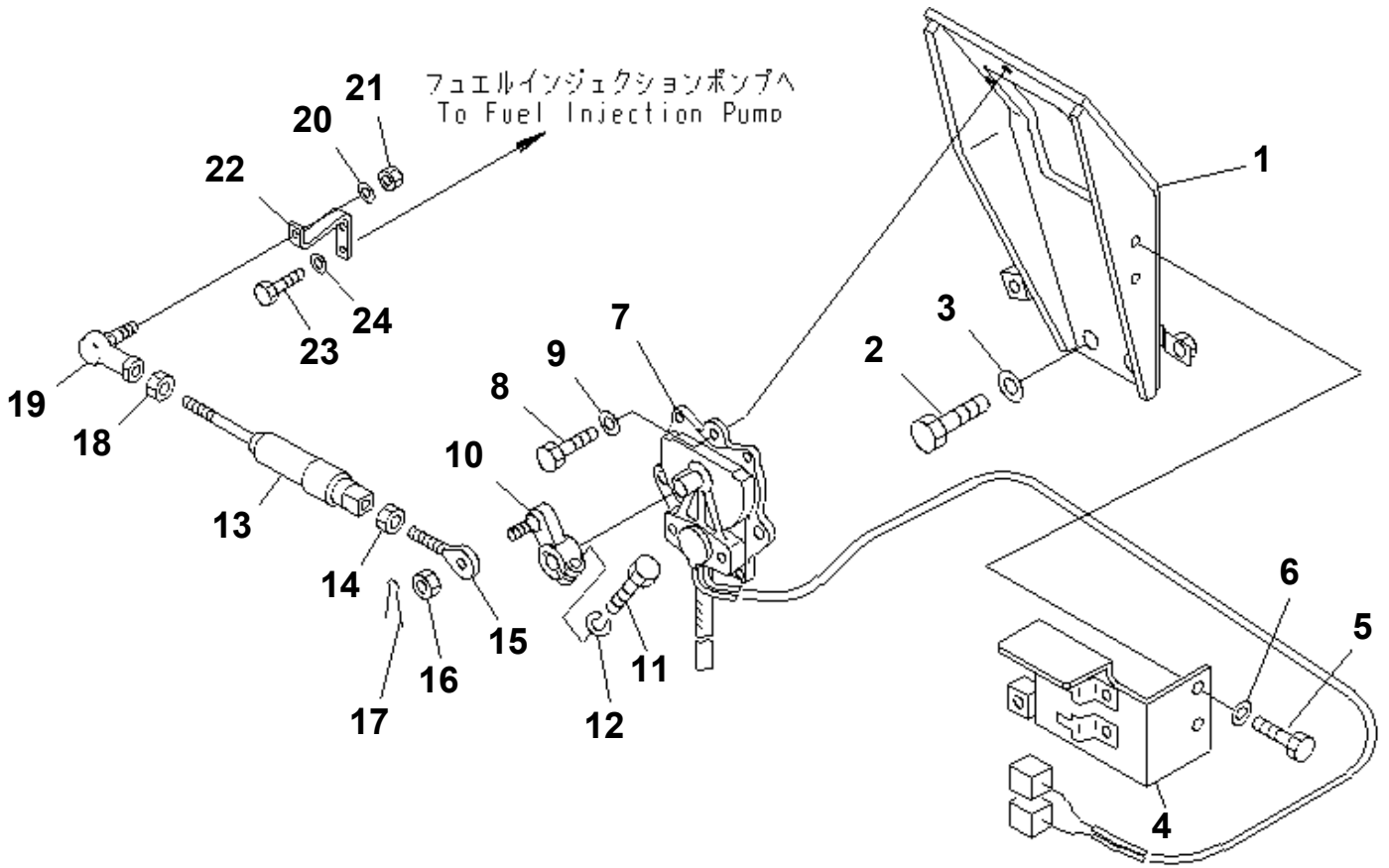
**PW170ES-6K S/N K30001-UP
MUFFLER(#K32001-K35000)**

Item	Part No.	Description	Qty	Options
1	20G-01-K2120	MUFFLER	1	SN:K34050--K35000
	20G-01-K2110	MUFFLER	1	SN:K32001--K34049
2	20G-01-K1530	BRACKET	1	SN:K32001--K35000
3	01435-01025	BOLT	4	SN:K30001--K35000
4	6222-11-5940	U-BOLT	2	SN:K30001--@
5	01594-01008	NUT	4	SN:K30001--@
6	21P-01-K1380	RING,SEAL	1	SN:K30001--K35000



**PW170ES-6K S/N K30001-UP
MUFFLER(#K35001-)**

Item	Part No.	Description	Qty	Options
1	20G-01-K2170	MUFFLER	1	SN:K35001--
2	6222-11-5940	U-BOLT	2	SN:K30001--
3	01594-01008	NUT	4	SN:K30001--
4	20G-01-K1560	TUBE	1	SN:K35001--
5	6738-11-5310	BRACKET	1	SN:K35001--
6	01435-01095	BOLT	2	SN:K35001--
7	20G-01-K3220	PLATE	1	SN:K35001--
8	01435-01020	BOLT	4	SN:K35001--
9	6738-11-5320	BRACKET	1	SN:K35001--
10	01435-01095	BOLT	2	SN:K35001--
11	20G-01-K2220	TUBE	1	SN:K35001--
12	6207-11-5921	CLAMP	1	SN:K35001--
13	6207-11-5850	PLATE	1	SN:K35001--
14	01435-01235	BOLT	2	SN:K35001--
15	07260-20928	HOSE	2	SN:K35001--
16	07285-00155	CLIP	1	SN:K35001--

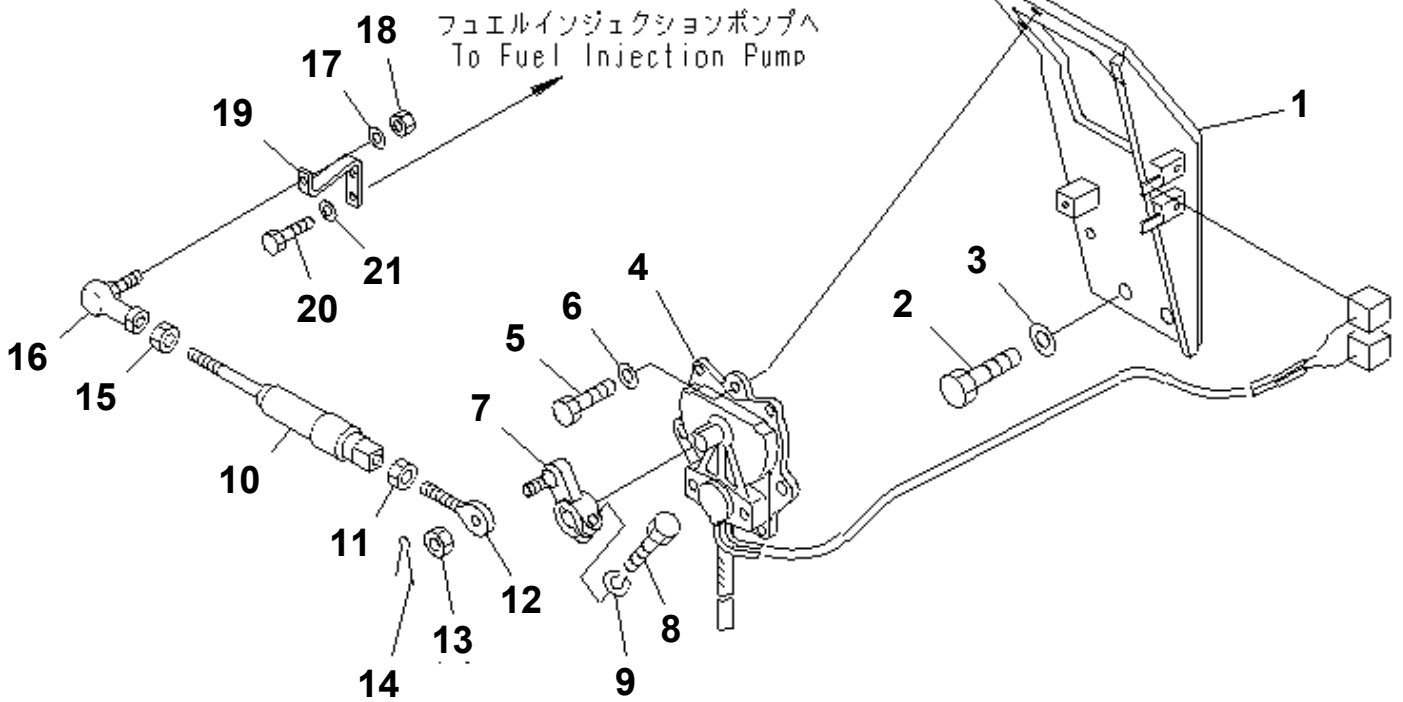
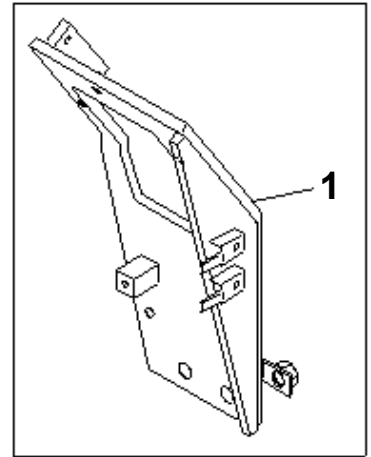


PTK3411

**PW170ES-6K S/N K30001-UP
FUEL CONTROL(#K30001-K31999)**

Item	Part No.	Description	Qty	Options
1	21P-43-K1122	BRACKET	1	SN:K30001--K31999
2	01010-81230	BOLT	2	SN:K30001--@
3	01643-31232	WASHER	2	SN:K30001--@
4	203-43-61152	BRACKET	1	SN:K30001--K31999
5	01010-81020	BOLT	2	SN:K30001--K31999
6	01643-31032	WASHER	2	SN:K30001--K31999
7	7834-40-2000	MOTOR ASS'Y,GOVERNOR MOTOR	1	SN:K30001--@
8	01010-81040	BOLT	3	SN:K30001--@
9	01643-31032	WASHER	3	SN:K30001--@
10	21P-43-K1340	LEVER	1	SN:K30001--K31999
11	01010-81035	BOLT	1	SN:K30001--@
12	01602-21030	WASHER,SPRING	1	SN:K30001--@
13	203-43-52163	SPRING ASS'Y	1	SN:K30001--@
14	01582-11008	NUT	1	SN:K30001--@
15	04252-21061	END	1	SN:K30001--@
16	01593-31008	NUT	1	SN:K30001--@
17	04050-12018	PIN,COTTER	1	SN:K30001--@
18	01582-11008	NUT	1	SN:K30001--@
19	20Y-43-12180	JOINT	1	SN:K30001--@
20	01643-30623	WASHER	1	SN:K30001--@
21	01580-10605	NUT	1	SN:K30001--@
22	20G-43-K1111	LEVER	1	SN:K30001--@
23	01010-80616	BOLT	2	SN:K30001--@
24	01643-30623	WASHER	2	SN:K30001--@

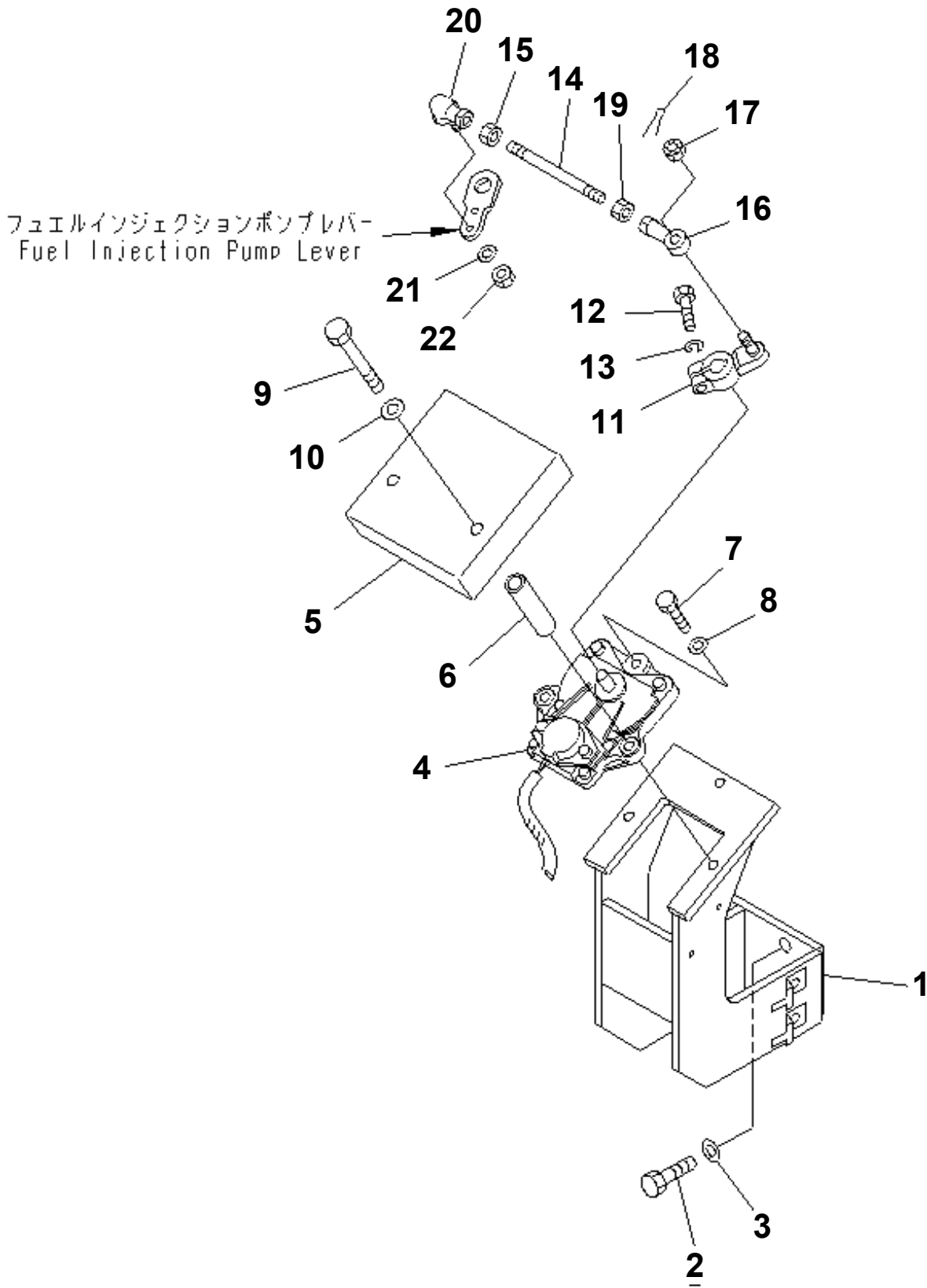
通用号機
Serial No. K32009~



フュエルインジェクションポンプへ
To Fuel Injection Pump

PW170ES-6K S/N K30001-UP
FUEL CONTROL(#K32001-K35000)

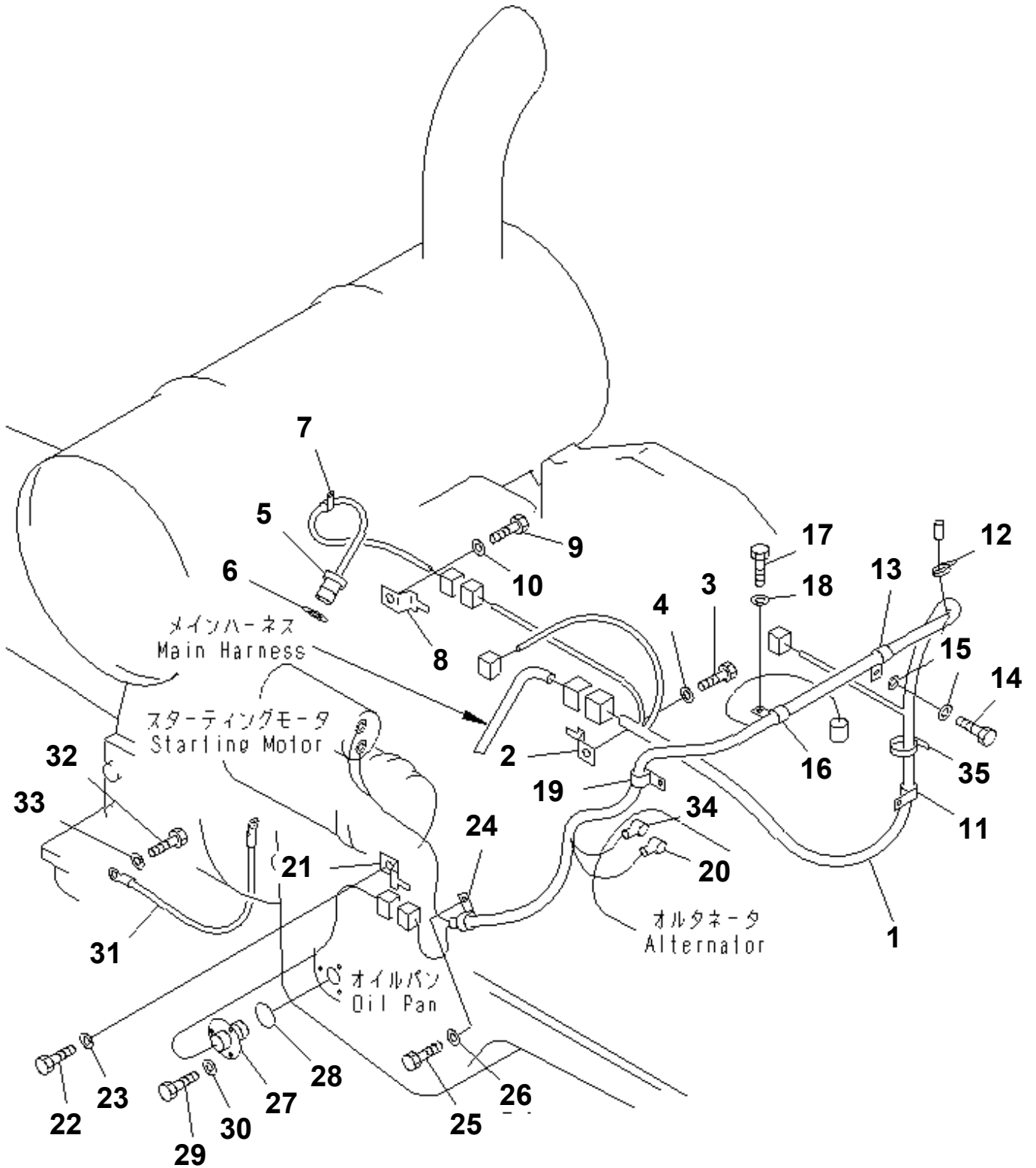
Item	Part No.	Description	Qty	Options
1	20E-43-K1342	BRACKET	1	SN:--K35000
	□20E-43-K1341	BRACKET	1	SN:K32009--.
	20E-43-K1340	BRACKET	1	SN:K32001--K32008
2	01010-81230	BOLT	2	SN:K30001--K35000
3	01643-31232	WASHER	2	SN:K30001--K35000
4	7834-40-2001	MOTOR ASS'Y	1	SN:K32117--K35000
	7834-40-2000	MOTOR ASS'Y	1	SN:K30001--K32116
5	01010-81040	BOLT	3	SN:K30001--K35000
6	01643-31032	WASHER	3	SN:K30001--K35000
7	20G-43-K1720	LEVER	1	SN:K32001--K35000
8	01010-81035	BOLT	1	SN:K30001--@
9	01602-21030	WASHER,SPRING	1	SN:K30001--@
10	203-43-52163	SPRING ASS'Y	1	SN:K30001--K35000
11	01582-11008	NUT	1	SN:K30001--K35000
12	04252-21061	END	1	SN:K30001--K35000
13	01593-31008	NUT	1	SN:K30001--@
14	04050-12018	PIN,COTTER	1	SN:K30001--@
15	01582-11008	NUT	1	SN:K30001--@
16	20Y-43-12180	JOINT	1	SN:K30001--@
17	01643-30623	WASHER	1	SN:K30001--@
18	01580-10605	NUT	1	SN:K30001--@
19	20G-43-K1111	LEVER	1	SN:K30001--K35000
20	01010-80616	BOLT	2	SN:K30001--K35000
21	01643-30623	WASHER	2	SN:K30001--K35000



0 0 0 0 0 3 4 4

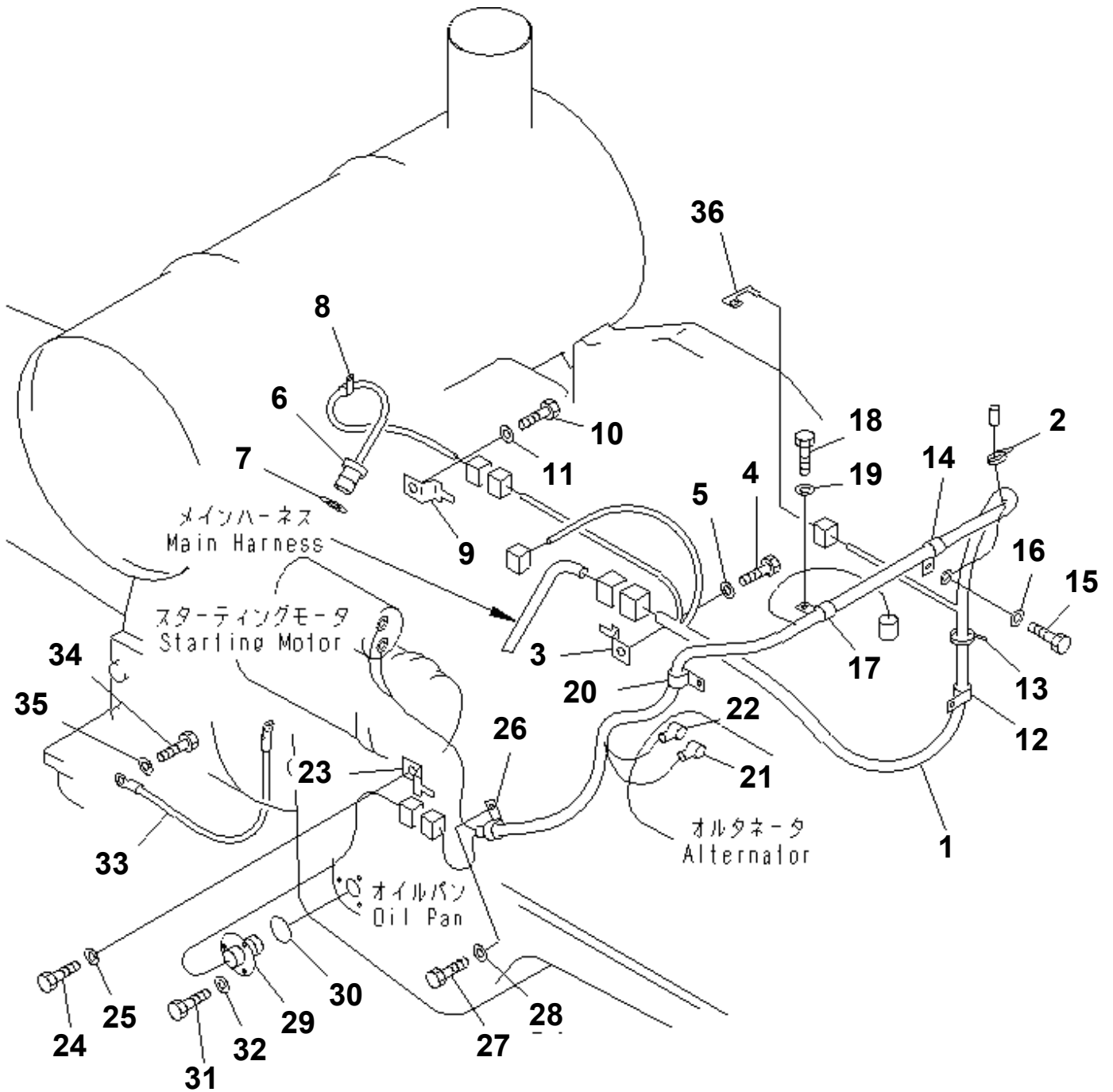
**PW170ES-6K S/N K30001-UP
FUEL CONTROL(#K35001-)**

Item	Part No.	Description	Qty	Options
1	20G-43-K1122	BRACKET	1	SN:K35001--
2	01010-81230	BOLT	4	SN:K35001--
3	01643-31232	WASHER	4	SN:K35001--
4	7834-40-3001	MOTOR ASS'Y	1	SN:K35001--
5	20Y-43-28560	COVER	1	SN:K35001--
6	20Y-43-K1450	SPACER	2	SN:K35001--
7	01010-81040	BOLT	1	SN:K35001--
8	01643-31032	WASHER	1	SN:K35001--
9	01011-81030	BOLT	2	SN:K35001--
10	01643-31032	WASHER	2	SN:K35001--
11	20Y-43-28540	LEVER	1	SN:K35001--
12	01010-81035	BOLT	1	SN:K30001--
13	01602-21030	WASHER,SPRING	1	SN:K30001--
14	04245-41024	ROD	1	SN:K35001--
15	01582-11008	NUT	1	SN:K30001--
16	04250-81056	END	1	SN:K35001--
17	01593-31008	NUT	1	SN:K30001--
18	04050-12018	PIN,COTTER	1	SN:K30001--
19	01582-11008	NUT	1	SN:K30001--
20	20Y-43-12180	JOINT	1	SN:K30001--
21	01643-30623	WASHER	1	SN:K30001--
22	01580-10605	NUT	1	SN:K30001--



PW170ES-6K S/N K30001-UP
WIRING (ENGINE HARNESS)(#K30001-K31999)

Item	Part No.	Description	Qty	Options
1	21P-06-K2182	WIRING HARNESS	1	SN:K30001--K31999
2	08053-00912	CLIP	1	SN:K30001--@
3	01010-81220	BOLT	1	SN:K30001--@
4	01643-31232	WASHER	1	SN:K30001--@
5	7861-92-2310	SENSOR,PICK-UP	1	SN:K30001--@
6	07005-02216	GASKET	1	SN:K30001--@
7	08036-11214	CLIP	1	SN:K30001--@
8	08053-01512	CLIP	1	SN:K30001--@
9	01010-81220	BOLT	1	SN:K30001--@
10	01643-31232	WASHER	1	SN:K30001--@
11	20G-06-K1520	CLIP	1	SN:K30001--@
12	08034-00414	BAND	1	SN:K30001--@
13	08036-91814	CLIP	1	SN:K30001--@
14	01010-81220	BOLT	1	SN:K30001--K31999
15	01643-31232	WASHER	1	SN:K30001--K31999
16	08036-91014	CLIP	1	SN:K30001--K31999
17	01010-80816	BOLT	1	SN:K30001--@
18	01643-30823	WASHER	1	SN:K30001--@
19	08036-91814	CLIP	1	SN:K30001--@
20	08038-10519	CAP	1	SN:K30001--@
21	08053-01512	CLIP	1	SN:K30001--@
22	01010-81220	BOLT	1	SN:K30001--@
23	01643-31232	WASHER	1	SN:K30001--@
24	08036-91814	CLIP	1	SN:K30001--@
25	01010-81220	BOLT	1	SN:K30001--@
26	01643-31232	WASHER	1	SN:K30001--@
27	7861-92-4210	SENSOR,ENGINE OIL	1	SN:K30001--@
28	7861-91-4220	O-RING	1	SN:K30001--@
29	01010-60612	BOLT	3	SN:K30001--@
30	01641-20608	WASHER	3	SN:K30001--@
31	08028-42035	CABLE	1	SN:K30001--@
32	01010-81020	BOLT	1	SN:K30001--@
33	01643-31032	WASHER	1	SN:K30001--@
34	08038-10525	CAP	1	SN:K30001--@
35	08034-00414	BAND	1	SN:K30001--K31999



PWK9473

Thank you so much for reading.
Please click the “Buy Now!”
button below to download the
complete manual.



After you pay.

You can download the most
perfect and complete manual in
the world immediately.

Our support email:

ebooklibonline@outlook.com