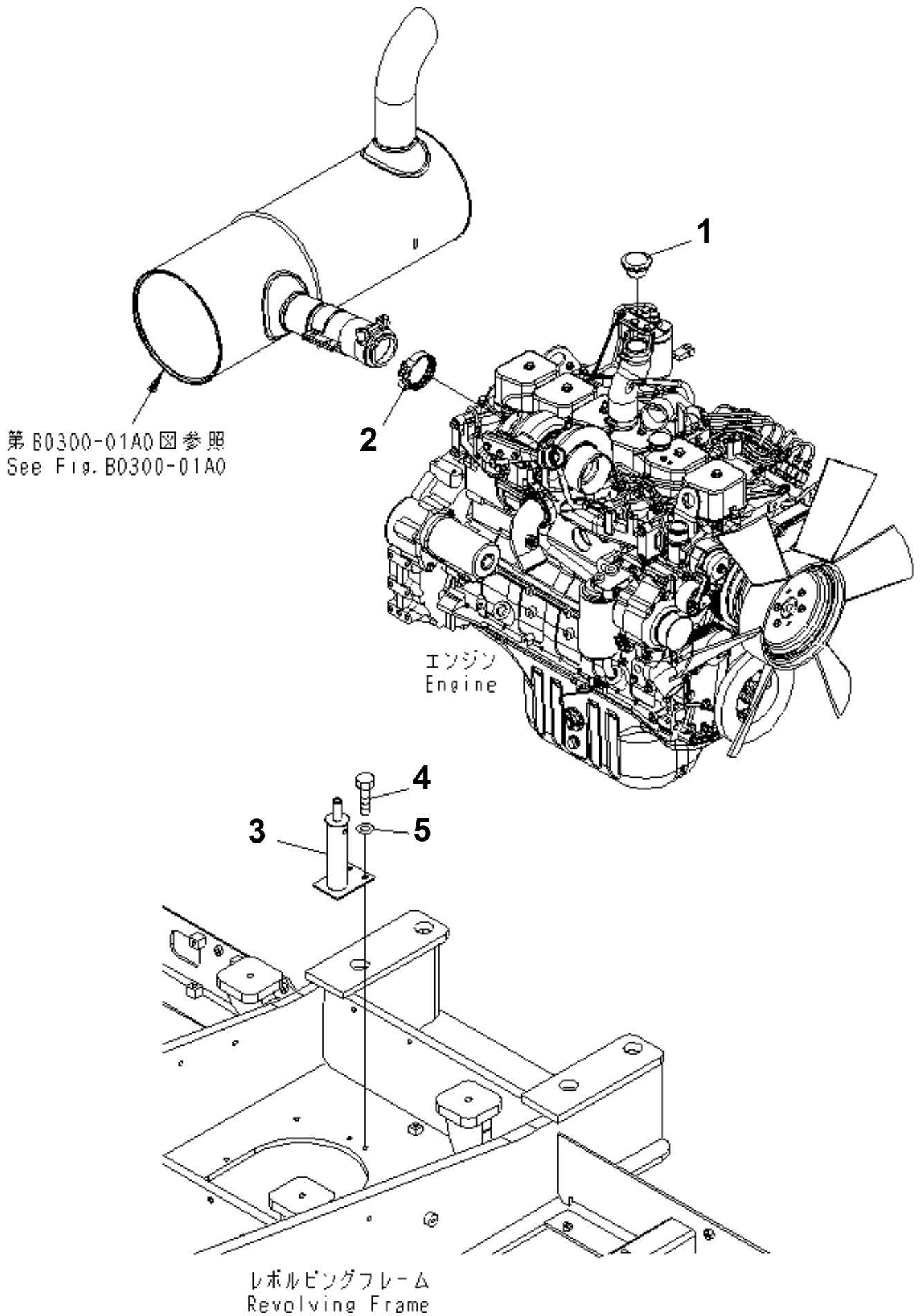


PW200-7K-KA S/N K40001-UP
KOMATSU PW200-7K-KA S/N K40001-UP

| Item | Description | Book | Page |
|------|---|----------|--------|
| | SAA6D102E-2-PW ENGINE S/N 21494941-UP | saa6d1au | |
| B0 | ENGINE RELATED PARTS | | 030000 |
| C0 | COOLING SYSTEM | | 060000 |
| D0 | FUEL TANK AND RELATED PARTS | | 090000 |
| E0 | ELECTRICAL SYSTEM | | 120000 |
| F0 | POWER TRAIN | | 150000 |
| H0 | HYDRAULIC SYSTEM | | 180000 |
| J0 | MAIN/REVOLVING FRAME AND RELATED PARTS | | 210000 |
| K0 | OPERATOR'S COMPARTMENT AND CONTROL SYSTEM | | 240000 |
| M0 | GUARD | | 270000 |
| N0 | SWING CIRCLE AND RELATED PARTS | | 300000 |
| P0 | TRAVEL AND LOWER PIPING | | 330000 |
| S0 | SUSPENTION AND WHEEL | | 360000 |
| T0 | WORK EQUIPMENT | | 390000 |
| U0 | MARKS AND PLATES | | 420000 |
| V0 | ACCESSORY | | 450000 |
| W0 | MISCELLANEOUS | | 480000 |
| X0 | SPECIAL PRODUCT | | 510000 |
| Y0 | SERVICE KIT AND COMPONENT PARTS | | 540000 |

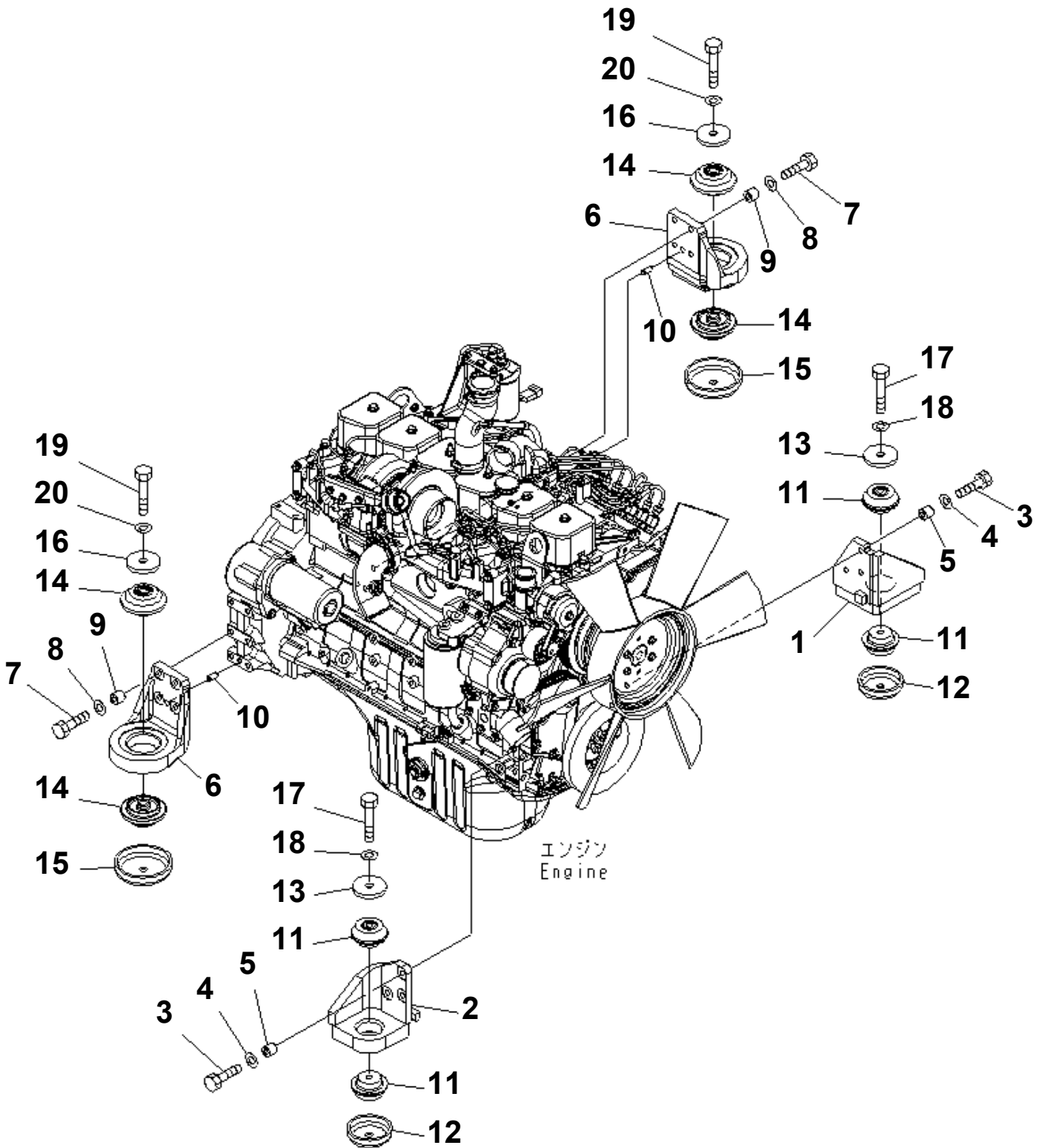
**PW200-7K-KA S/N K40001-UP
ENGINE RELATED PARTS**

| Item | Description | Qty | Page |
|------|----------------------------|-----|--------|
| 10 | ENGINE RELATED PARTS | 1 | 030010 |
| 20 | ENGINE MOUNTING | 1 | 030020 |
| 30 | AIR CLEANER AND CONNECTION | 1 | 030030 |
| 40 | MUFFLER | 1 | 030040 |
| 50 | FUEL CONTROL | 1 | 030050 |
| 60 | WIRING (ENGINE HARNESS) | 1 | 030060 |
| 70 | DAMPER | 1 | 030070 |
| 80 | TURBO COVER | 1 | 030080 |



**PW200-7K-KA S/N K40001-UP
ENGINE RELATED PARTS**

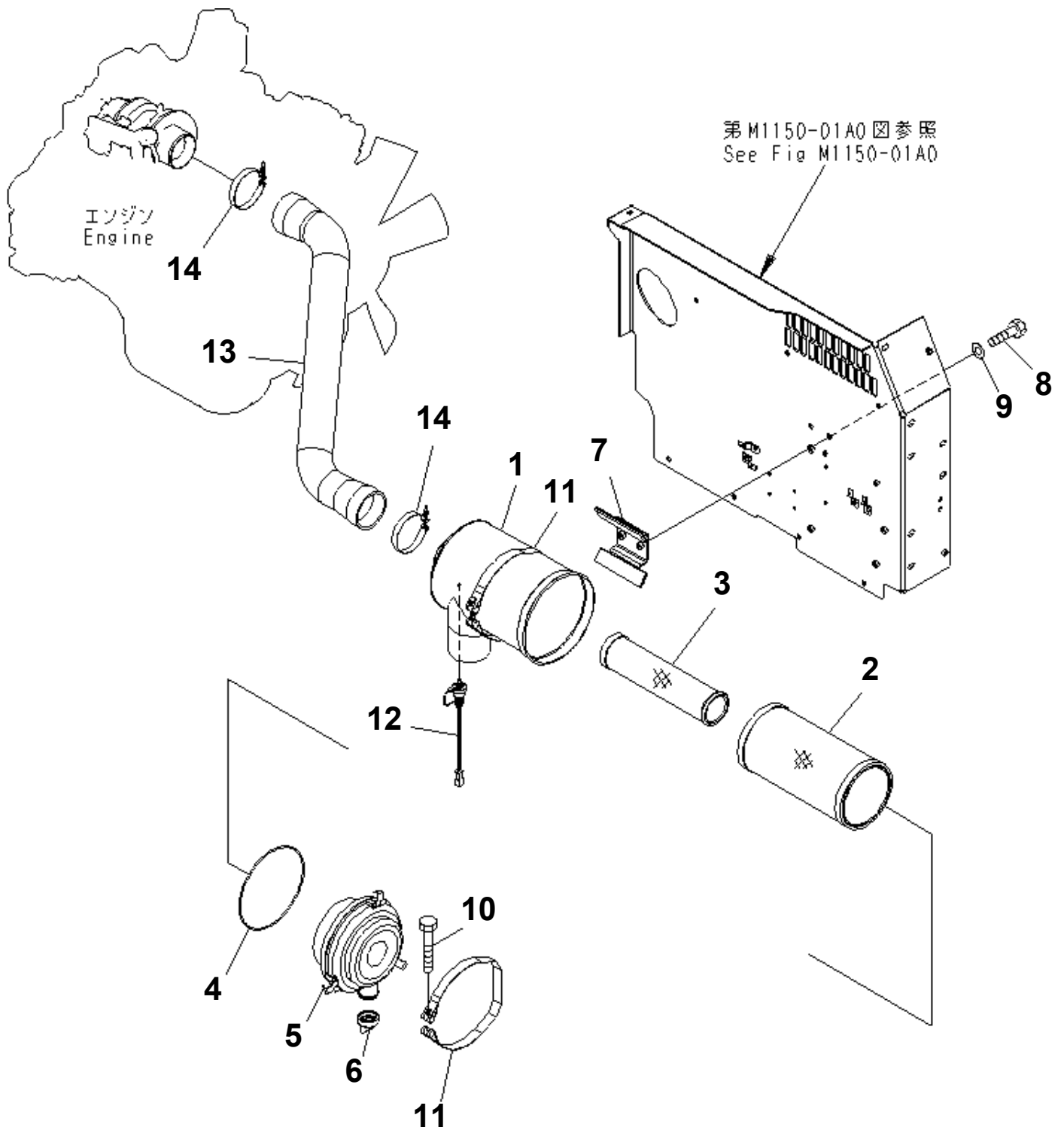
| Item | Part No. | Description | Qty | Options |
|------|--------------|-------------|-----|-------------------|
| 1 | 6130-12-8610 | CAP | 1 | SN:K40001-- |
| 2 | 20Y-01-K1270 | CLAMP | 1 | SN:K40001-- |
| 3 | 20K-01-31630 | VENT ASS'Y | 1 | SN:K40001-- |
| 4 | 01010-81220 | BOLT | 2 | SN:K40041-- |
| | 01010-81225 | BOLT | 2 | SN:K40001--K40040 |
| 5 | 01643-31232 | WASHER | 2 | SN:K40001-- |



0 0 0 0 2 4 4 2

**PW200-7K-KA S/N K40001-UP
ENGINE MOUNTING**

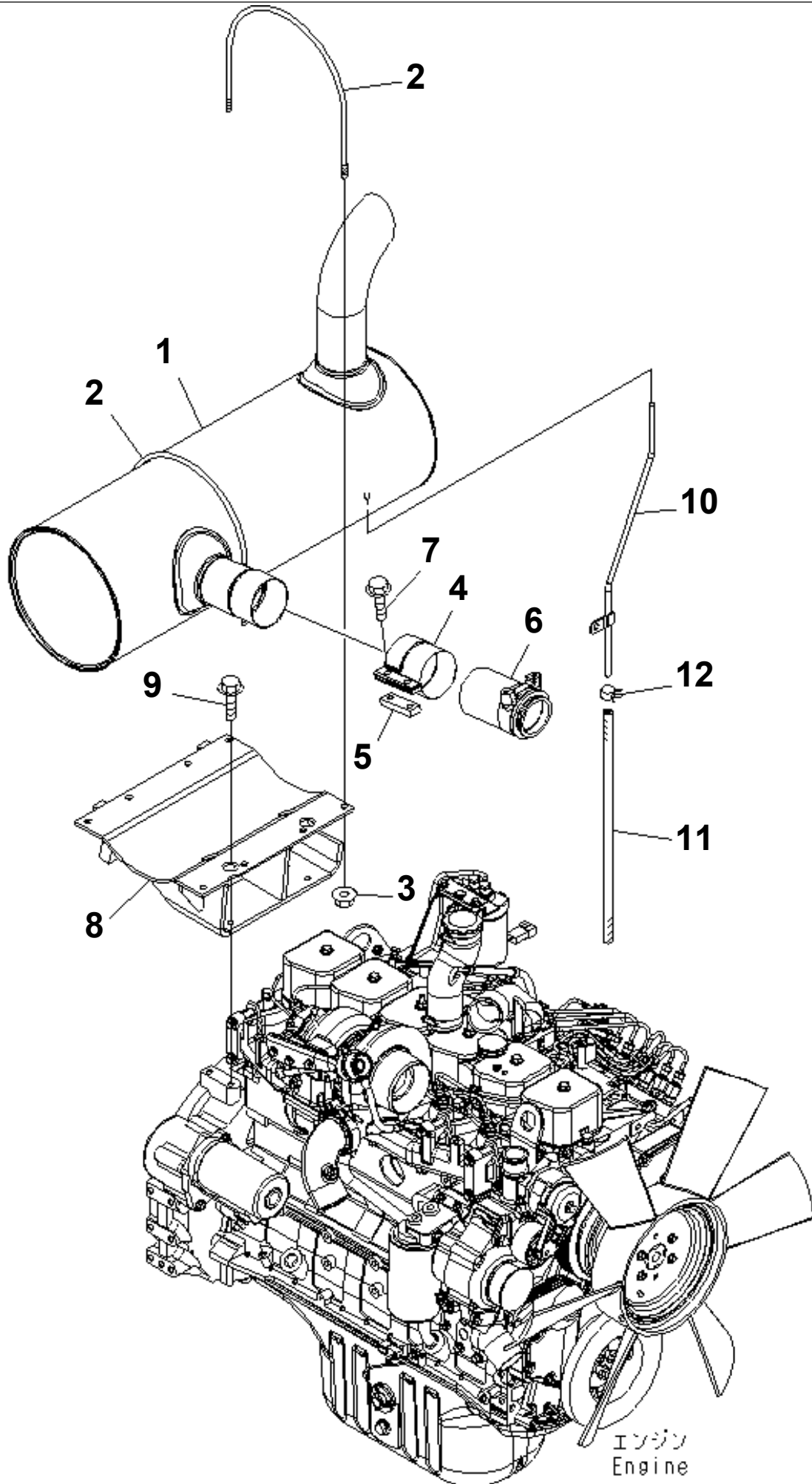
| Item | Part No. | Description | Qty | Options |
|------|--------------|--------------|-----|-------------|
| 1 | 20Y-01-K1741 | BRACKET,L.H. | 1 | SN:K40001-- |
| 2 | 20Y-01-K1750 | BRACKET,R.H. | 1 | SN:K40001-- |
| 3 | 01010-81265 | BOLT | 6 | SN:K40001-- |
| 4 | 01643-31232 | WASHER | 6 | SN:K40001-- |
| 5 | 6131-22-3750 | BOSS | 6 | SN:K40001-- |
| 6 | 20Y-01-22121 | BRACKET | 2 | SN:K40001-- |
| 7 | 01010-81265 | BOLT | 8 | SN:K40001-- |
| 8 | 01643-31232 | WASHER | 8 | SN:K40001-- |
| 9 | 6131-22-3750 | BOSS | 8 | SN:K40001-- |
| 10 | 04020-01228 | PIN | 2 | SN:K40001-- |
| 11 | 20Y-01-12210 | CUSHION | 4 | SN:K40001-- |
| 12 | 20Y-01-12141 | STOPPER | 2 | SN:K40001-- |
| 13 | 20Y-01-11141 | WASHER | 2 | SN:K40001-- |
| 14 | 20Y-01-12222 | CUSHION | 4 | SN:K40001-- |
| 15 | 20Y-01-12161 | STOPPER | 2 | SN:K40001-- |
| 16 | 20Y-01-11141 | WASHER | 2 | SN:K40001-- |
| 17 | 01011-B1640 | BOLT | 2 | SN:K40001-- |
| 18 | 01643-31645 | WASHER | 2 | SN:K40001-- |
| 19 | 01011-B1640 | BOLT | 2 | SN:K40001-- |
| 20 | 01643-31645 | WASHER | 2 | SN:K40001-- |



0 0 0 0 2 4 4 3

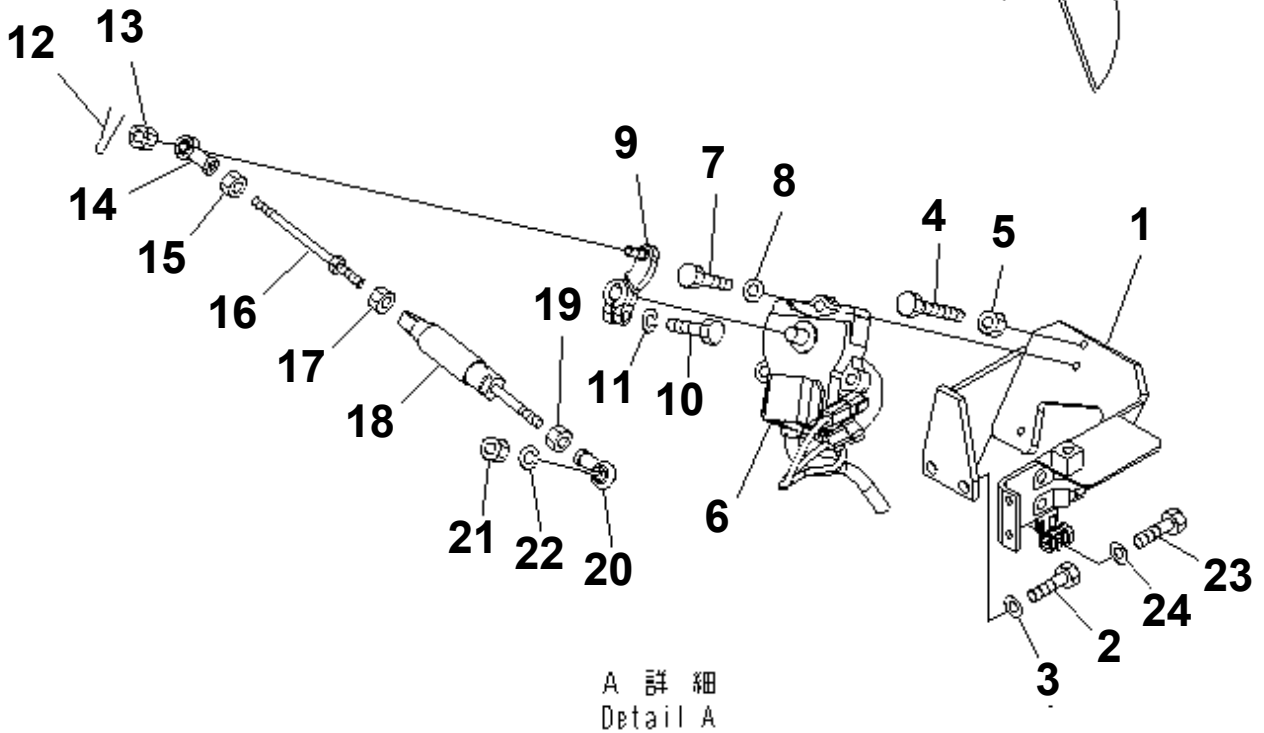
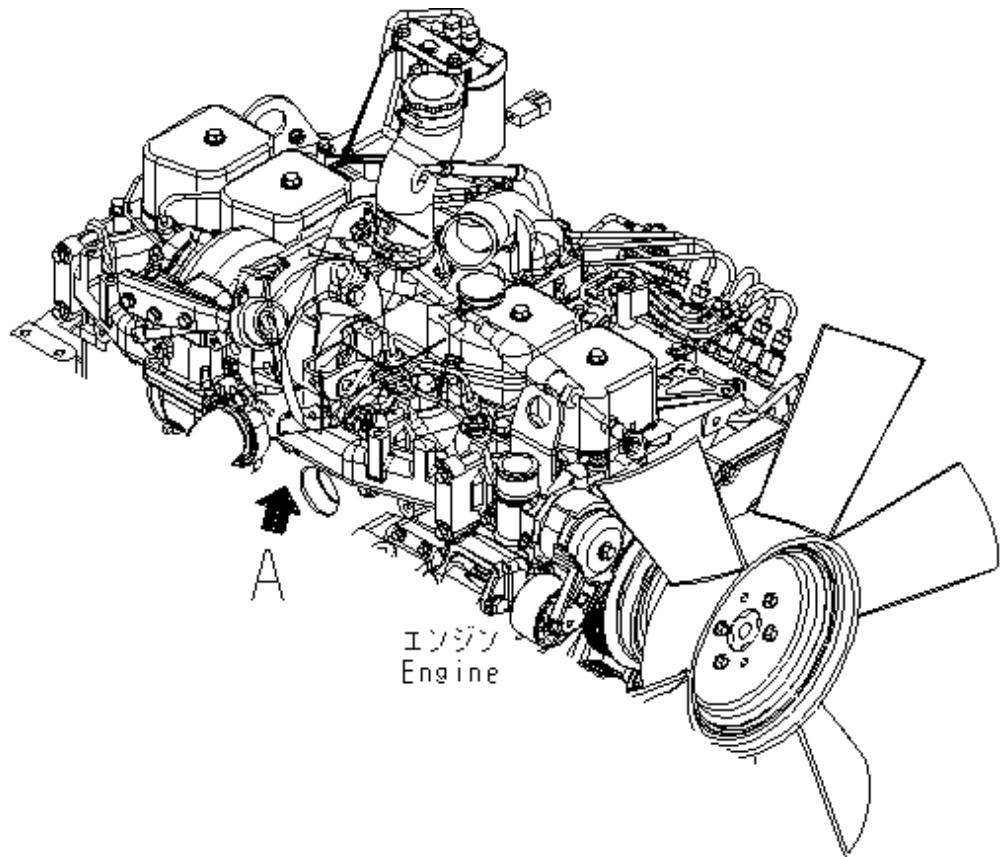
PW200-7K-KA S/N K40001-UP
AIR CLEANER AND CONNECTION

| Item | Part No. | Description | Qty | Options |
|------|--------------|--------------------|-----|-------------|
| | 6738-81-7100 | AIR CLEANER | 1 | SN:K40001-- |
| 1 | 6738-81-7110 | · BODY | 1 | SN:K40001-- |
| | 600-185-3100 | · ELEMENT ASS'Y | 1 | SN:K40001-- |
| 2 | ☆ | · · ELEMENT, OUTER | 1 | SN:K40001-- |
| 3 | ☆ | · · ELEMENT, INNER | 1 | SN:K40001-- |
| 4 | 600-184-1370 | · · O-RING | 1 | SN:K40001-- |
| | 600-184-1310 | · COVER ASS'Y | 1 | SN:K40001-- |
| 5 | 600-184-2810 | · · PLATE | 1 | SN:K40001-- |
| 6 | 600-184-1350 | · VALVE | 1 | SN:K40001-- |
| 7 | 20K-01-31530 | BRACKET | 1 | SN:K40001-- |
| 8 | 01010-81230 | BOLT | 2 | SN:K40001-- |
| 9 | 01643-31232 | WASHER | 2 | SN:K40001-- |
| 10 | 6643-11-4641 | BOLT | 2 | SN:K40001-- |
| 11 | 6131-11-4520 | BAND ASS'Y | 2 | SN:K40001-- |
| 12 | 7861-93-1420 | SENSOR | 1 | SN:K40001-- |
| 13 | 20K-01-31540 | HOSE | 1 | SN:K40001-- |
| 14 | 20Y-01-K1410 | CLAMP | 2 | SN:K40001-- |



**PW200-7K-KA S/N K40001-UP
MUFFLER**

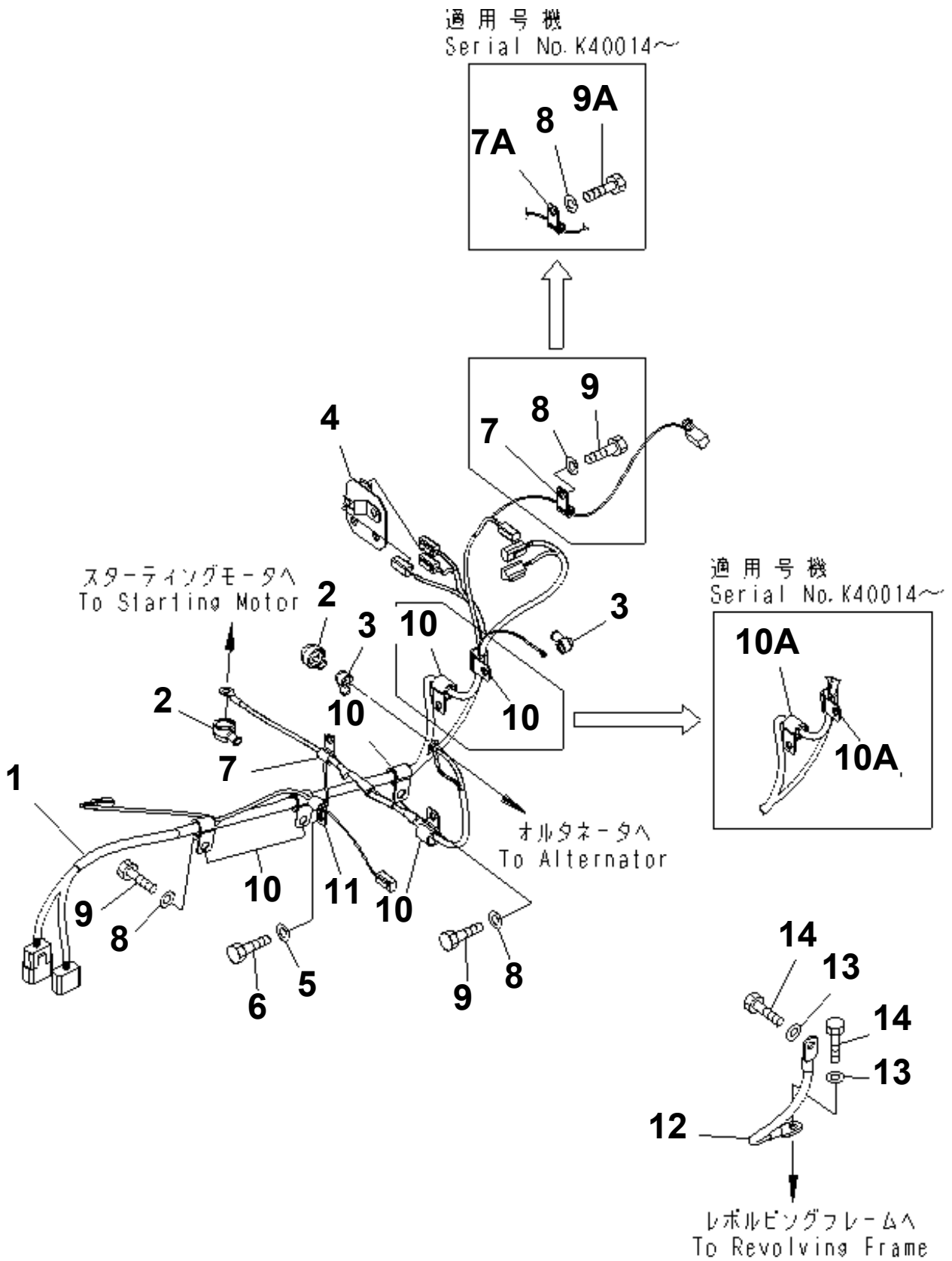
| Item | Part No. | Description | Qty | Options |
|------|--------------|-------------|-----|-------------|
| 1 | 20K-01-31610 | MUFFLER | 1 | SN:K40001-- |
| 2 | 6222-11-5940 | U-BOLT | 2 | SN:K40001-- |
| 3 | 01594-01008 | NUT | 4 | SN:K40001-- |
| 4 | 6210-11-5232 | CLAMP | 1 | SN:K40001-- |
| 5 | 6206-11-5850 | PLATE | 1 | SN:K40001-- |
| 6 | 6735-11-5611 | TUBE | 1 | SN:K40001-- |
| 7 | 01435-01235 | BOLT | 2 | SN:K40001-- |
| 8 | 20K-01-31512 | BRACKET | 1 | SN:K40001-- |
| 9 | 01435-01025 | BOLT | 4 | SN:K40001-- |
| 10 | 20K-01-31520 | TUBE | 1 | SN:K40001-- |
| 11 | 07260-20950 | HOSE | 1 | SN:K40001-- |
| 12 | 07285-00155 | CLIP | 1 | SN:K40001-- |



0 0 0 0 2 4 4 5

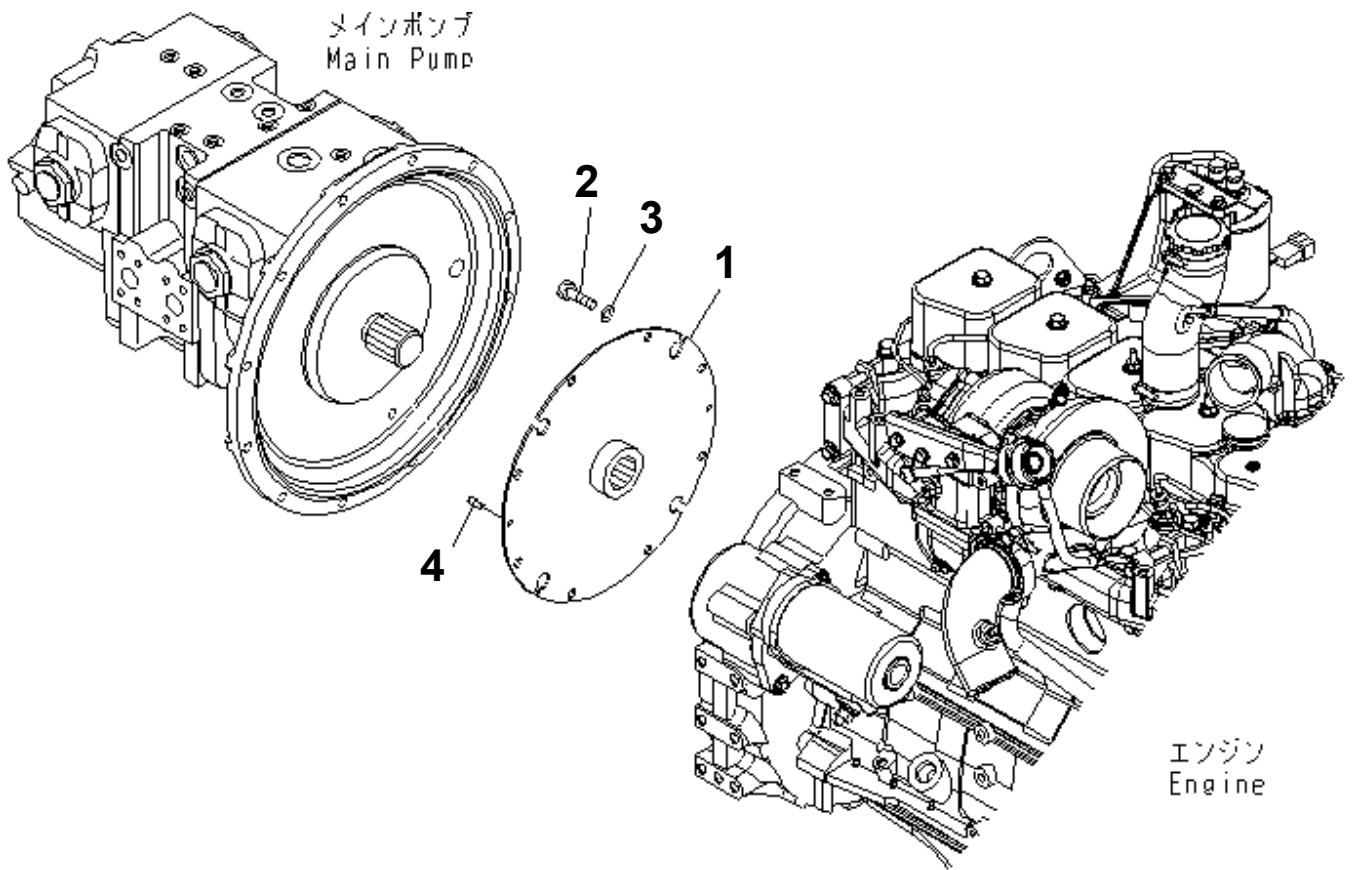
**PW200-7K-KA S/N K40001-UP
FUEL CONTROL**

| Item | Part No. | Description | Qty | Options |
|------|--------------|-----------------|-----|-------------------|
| 1 | 20Y-43-31310 | BRACKET | 1 | SN:K40001-- |
| 2 | 01010-81230 | BOLT | 2 | SN:K40001-- |
| 3 | 01643-31232 | WASHER | 2 | SN:K40001-- |
| 4 | 01016-51075 | BOLT | 1 | SN:K40001-- |
| 5 | 01580-11008 | NUT | 1 | SN:K40001-- |
| 6 | 7834-41-2001 | MOTOR ASS'Y | 1 | SN:K40069-- |
| | 7834-41-2000 | MOTOR ASS'Y | 1 | SN:K40001--K40068 |
| 7 | 01010-81040 | BOLT | 3 | SN:K40001-- |
| 8 | 01643-31032 | WASHER | 3 | SN:K40001-- |
| 9 | 20Y-43-12143 | LEVER | 1 | SN:K40001-- |
| 10 | 01010-81030 | BOLT | 1 | SN:K40001-- |
| 11 | 01602-21030 | WASHER | 1 | SN:K40001-- |
| 12 | 04050-12018 | PIN | 1 | SN:K40001-- |
| 13 | 01593-31008 | NUT | 1 | SN:K40001-- |
| 14 | 04250-91056 | END,L.H. THREAD | 1 | SN:K40001-- |
| 15 | 01508-41006 | NUT,L.H. THREAD | 1 | SN:K40001-- |
| 16 | 04248-31018 | ROD | 1 | SN:K40001-- |
| 17 | 01582-11008 | NUT | 1 | SN:K40001-- |
| 18 | 20Y-43-23441 | SPRING ASS'Y | 1 | SN:K40001-- |
| 19 | 01582-11008 | NUT | 1 | SN:K40001-- |
| 20 | 20Y-43-12180 | JOINT | 1 | SN:K40001-- |
| 21 | 01580-10605 | NUT | 1 | SN:K40001-- |
| 22 | 01602-20619 | WASHER | 1 | SN:K40001-- |
| 23 | 01010-80820 | BOLT | 2 | SN:K40001-- |
| 24 | 01643-30823 | WASHER | 2 | SN:K40001-- |



**PW200-7K-KA S/N K40001-UP
WIRING (ENGINE HARNESS)**

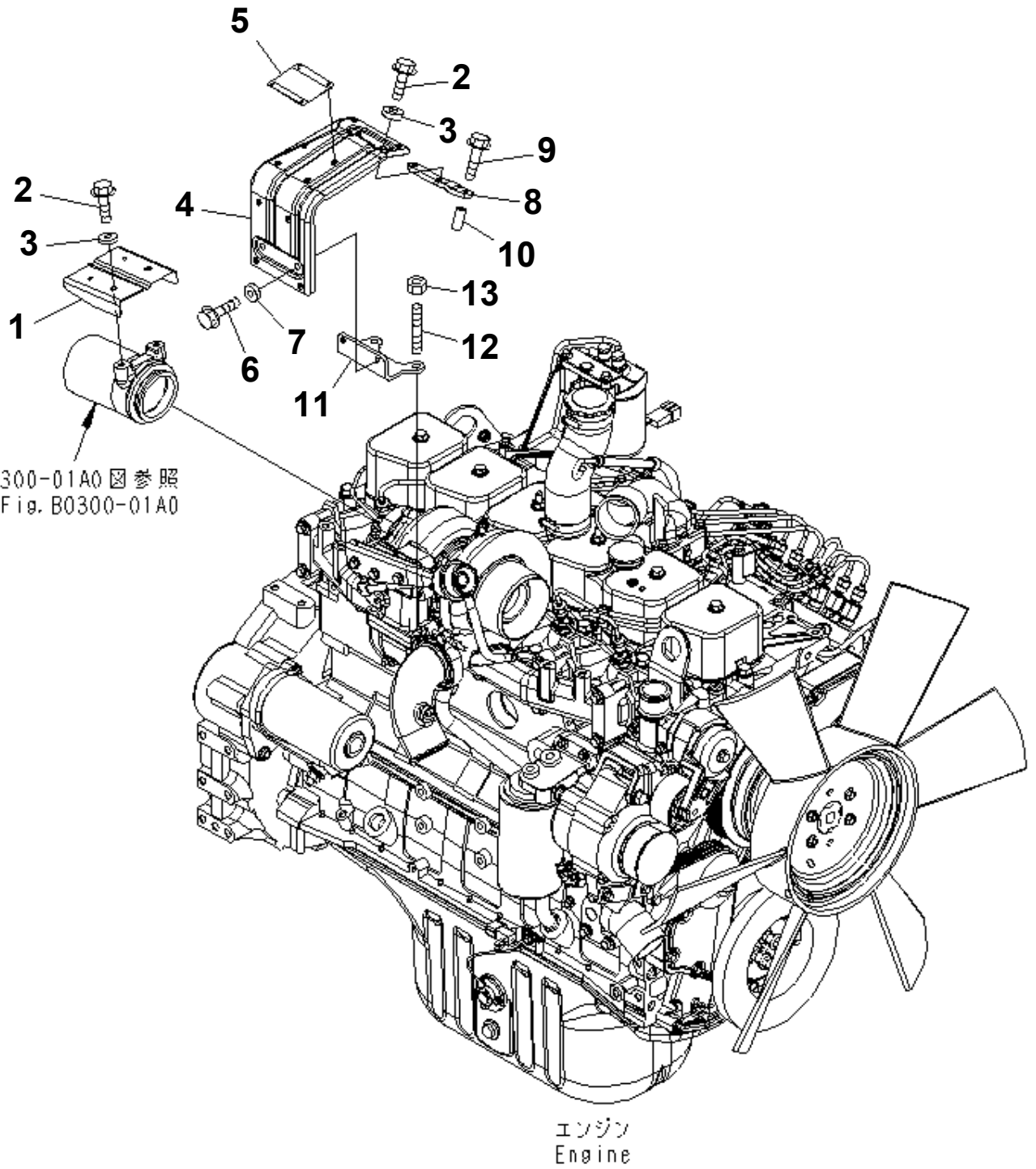
| Item | Part No. | Description | Qty | Options |
|------|--------------|----------------|-----|-------------------|
| 1 | 20K-06-31183 | WIRING HARNESS | 1 | SN:K40001-- |
| 2 | 08038-10525 | CAP | 2 | SN:K40001-- |
| 3 | 08038-10519 | CAP | 2 | SN:K40001-- |
| 4 | 20K-06-32181 | BRACKET | 1 | SN:K40113-- |
| | 20K-06-32180 | BRACKET | 1 | SN:K40001--K40112 |
| 5 | 01643-30823 | WASHER | 2 | SN:K40001-- |
| 6 | 01010-80820 | BOLT | 2 | SN:K40001-- |
| 7 | 08036-91014 | CLIP | 1 | SN:K40014-- |
| | 08036-91014 | CLIP | 2 | SN:K40001--K40013 |
| 7A | 08036-01014 | CLIP | 1 | SN:K40014-- |
| 8 | 01643-31232 | WASHER | 7 | SN:K40001-- |
| 9 | 01010-81220 | BOLT | 6 | SN:K40014-- |
| | 01010-81220 | BOLT | 7 | SN:K40001--K40013 |
| 9A | 01050-51220 | BOLT | 1 | SN:K40014-- |
| 10 | 08036-91814 | CLIP | 4 | SN:K40014-- |
| | 08036-91814 | CLIP | 6 | SN:K40001--K40013 |
| 10A | 08036-01814 | CLIP | 2 | SN:K40014-- |
| 11 | 04434-51210 | CLIP | 1 | SN:K40034-- |
| | 08036-91210 | CLIP | 1 | SN:K40001--K40033 |
| 12 | 08028-43045 | CABLE | 1 | SN:K40001-- |
| 13 | 01643-31032 | WASHER | 2 | SN:K40001-- |
| 14 | 01010-81016 | BOLT | 2 | SN:K40001-- |



0 0 0 0 3 2 0 3

**PW200-7K-KA S/N K40001-UP
DAMPER**

| Item | Part No. | Description | Qty | Options |
|------|--------------|-------------|-----|-------------|
| 1 | 22U-01-21310 | DISK DAMPER | 1 | SN:K40001-- |
| 2 | 01010-81020 | BOLT | 8 | SN:K40001-- |
| 3 | 01643-31032 | WASHER | 8 | SN:K40001-- |
| 4 | 203-01-51120 | PIN | 2 | SN:K40001-- |



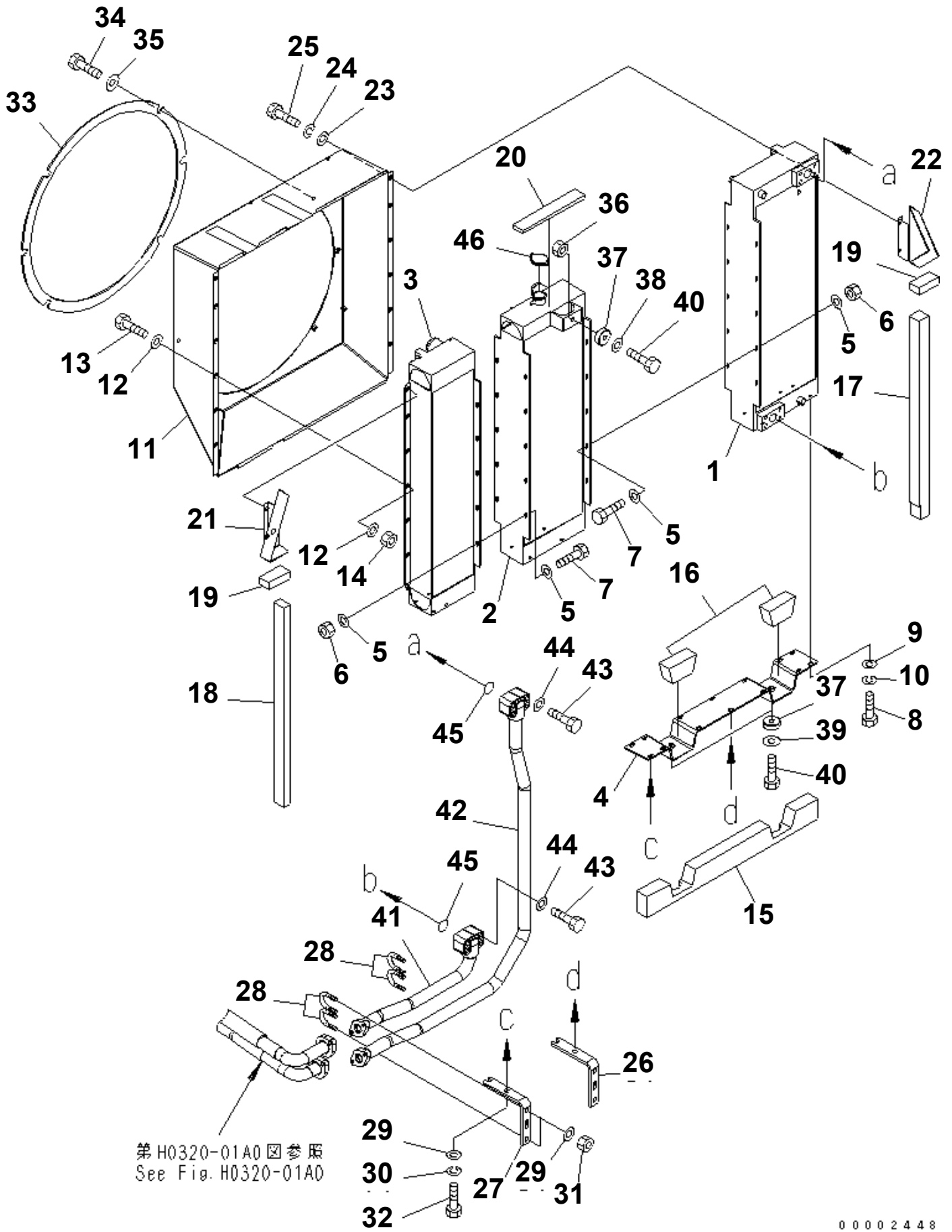
0 0 0 0 2 4 4 7

**PW200-7K-KA S/N K40001-UP
TURBO COVER**

| Item | Part No. | Description | Qty | Options |
|------|--------------|----------------|-----|-------------|
| 1 | 6732-81-8450 | COVER | 1 | SN:K40001-- |
| 2 | 01435-00816 | BOLT | 4 | SN:K40001-- |
| 3 | 6201-81-6560 | SPACER | 4 | SN:K40001-- |
| 4 | 6732-81-8411 | COVER | 1 | SN:K40001-- |
| 5 | 09817-A0753 | · PLATE?SAFETY | 1 | SN:K40001-- |
| 6 | 01435-00816 | BOLT | 2 | SN:K40001-- |
| 7 | 6201-81-6560 | SPACER | 2 | SN:K40001-- |
| 8 | 6738-81-8440 | BRACKET | 1 | SN:K40001-- |
| 9 | 01435-00845 | BOLT | 1 | SN:K40001-- |
| 10 | 6732-81-8440 | SPACER | 1 | SN:K40001-- |
| 11 | 6738-81-8450 | BRACKET | 1 | SN:K40001-- |
| 12 | 01140-61035 | STUD | 2 | SN:K40001-- |
| 13 | 6142-12-5850 | NUT | 2 | SN:K40001-- |

**PW200-7K-KA S/N K40001-UP
COOLING SYSTEM**

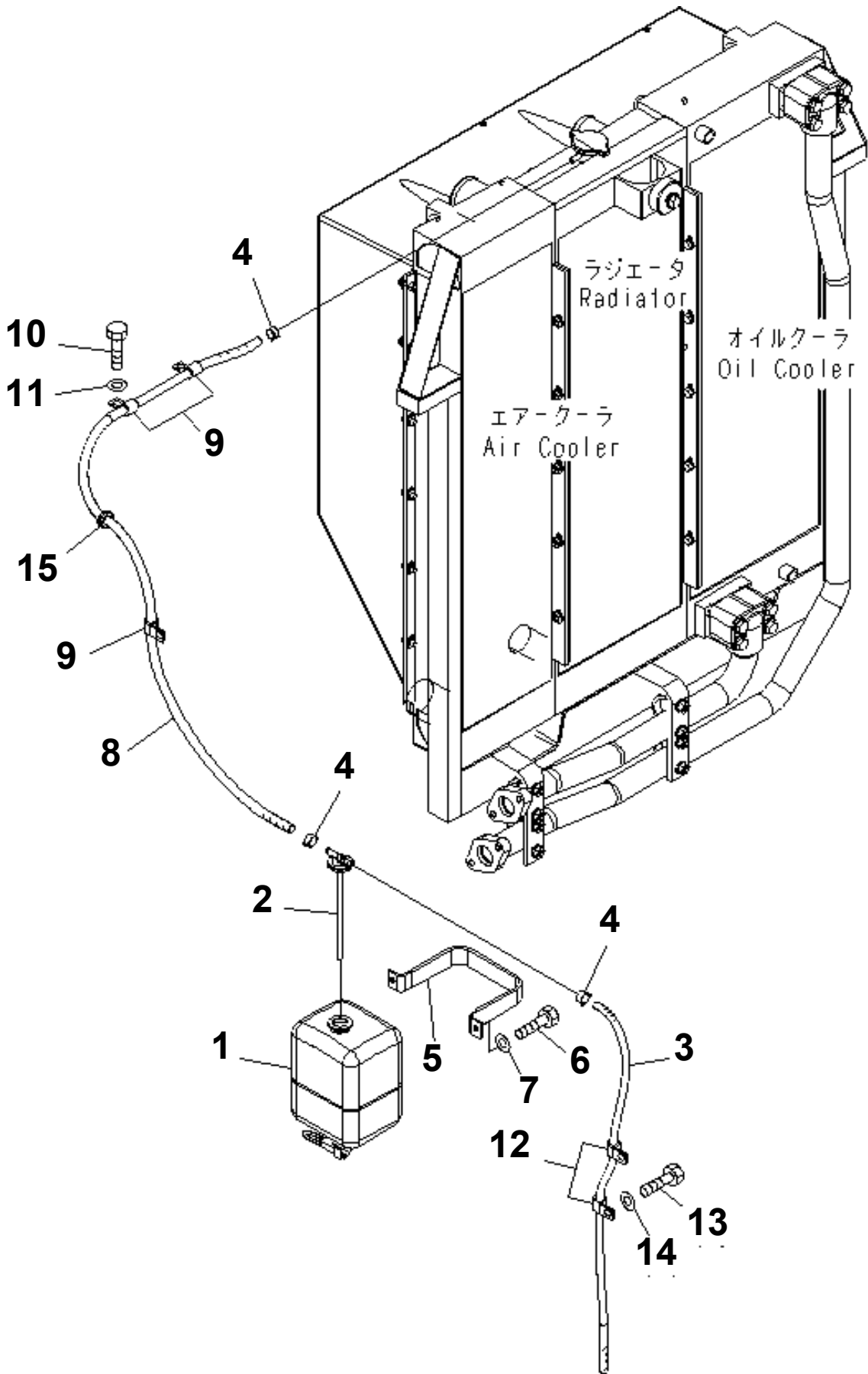
| Item | Description | Qty | Page |
|------|---|-----|--------|
| 10 | COOLING (OIL COOLER?RADIATOR AND CHARGE OIL COOLER) | 1 | 060010 |
| 20 | COOLING (SUB TANK) | 1 | 060020 |
| 30 | COOLING (RADIATOR AND CHARGE OIL COOLER HOSE) | 1 | 060030 |
| 40 | COOLING (FAN) | 1 | 060040 |
| 50 | FAN GUARD | 1 | 060050 |



0 0 0 0 2 4 4 8

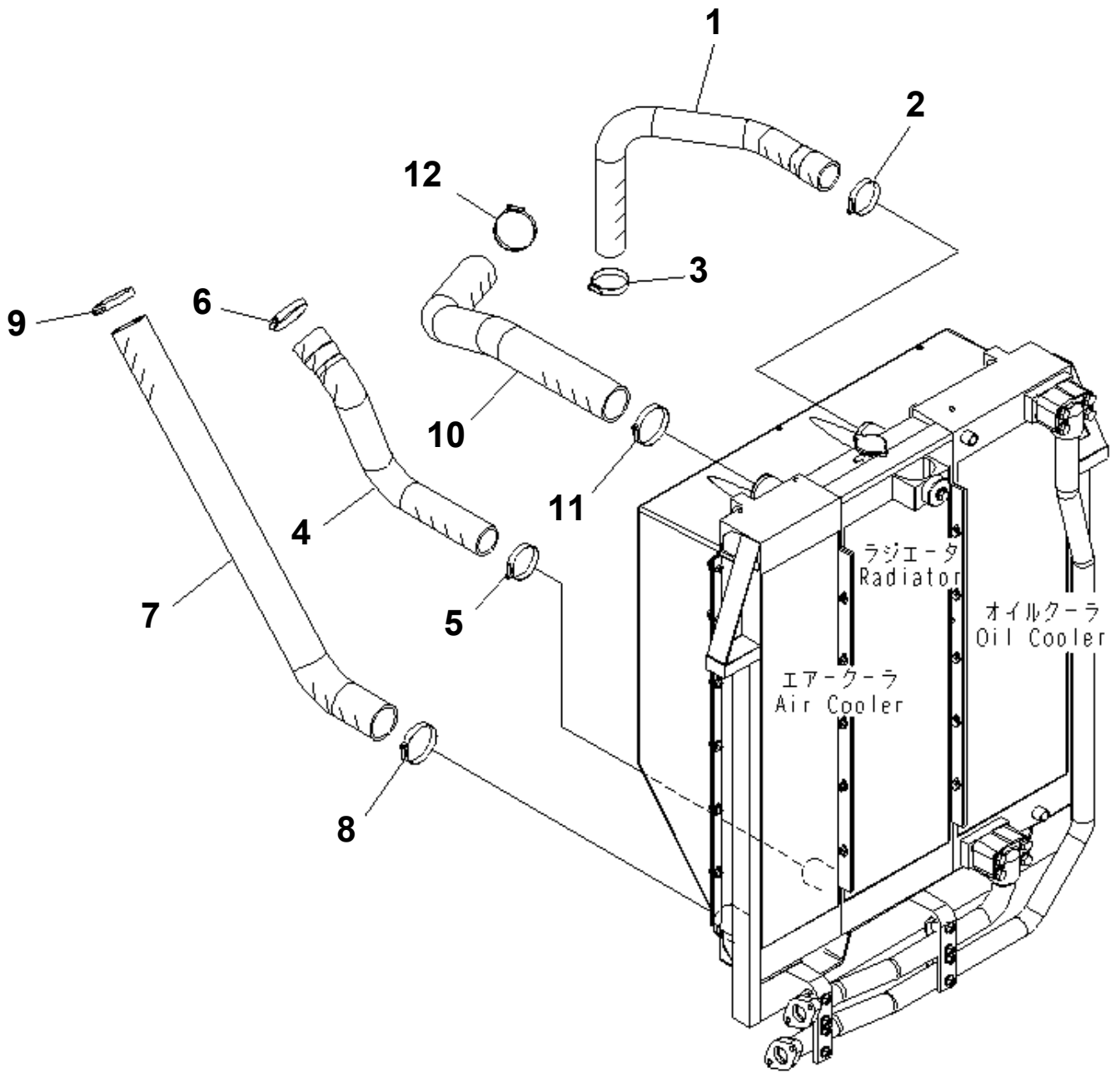
COOLING (OIL COOLER?RADIATOR AND CHARGE OIL COOLER)

| Item | Part No. | Description | Qty | Options |
|------|--------------|-------------------|-----|-------------|
| 1 | 20K-03-31261 | OIL COOLER | 1 | SN:K40001-- |
| 2 | 20K-03-31251 | RADIATOR | 1 | SN:K40001-- |
| 3 | 20K-03-31241 | CHARGE AIR COOLER | 1 | SN:K40001-- |
| 4 | 20K-03-31341 | PLATE ASS'Y | 1 | SN:K40001-- |
| 5 | 01643-30823 | WASHER | 40 | SN:K40001-- |
| 6 | 01580-10806 | NUT | 20 | SN:K40001-- |
| 7 | 01010-80825 | BOLT | 20 | SN:K40001-- |
| 8 | 01010-81025 | BOLT | 14 | SN:K40001-- |
| 9 | 01643-31032 | WASHER | 14 | SN:K40001-- |
| 10 | 01602-21030 | WASHER | 14 | SN:K40001-- |
| 11 | 20K-03-31112 | SHROUD | 1 | SN:K40001-- |
| 12 | 01643-31032 | WASHER | 20 | SN:K40001-- |
| 13 | 01010-81025 | BOLT | 10 | SN:K40001-- |
| 14 | 01580-11008 | NUT | 10 | SN:K40001-- |
| 15 | 20K-03-31141 | SHEET | 1 | SN:K40001-- |
| 16 | 20K-03-31530 | SHEET | 2 | SN:K40001-- |
| 17 | 20K-03-31781 | SHEET | 1 | SN:K40001-- |
| 18 | 20K-03-31880 | SHEET | 1 | SN:K40001-- |
| 19 | 20K-03-31791 | SHEET | 2 | SN:K40001-- |
| 20 | 20K-03-31810 | SHEET | 1 | SN:K40001-- |
| 21 | 20K-03-31760 | BRACKET | 1 | SN:K40001-- |
| 22 | 20K-03-31770 | BRACKET | 1 | SN:K40001-- |
| 23 | 01643-31032 | WASHER | 4 | SN:K40001-- |
| 24 | 01602-21030 | WASHER | 4 | SN:K40001-- |
| 25 | 01010-80825 | BOLT | 4 | SN:K40001-- |
| 26 | 20K-03-31540 | BRACKET | 1 | SN:K40001-- |
| 27 | 20K-03-31890 | BRACKET | 1 | SN:K40001-- |
| 28 | 07283-34346 | CLIP | 4 | SN:K40001-- |
| 29 | 01643-31032 | WASHER | 12 | SN:K40001-- |
| 30 | 01602-21030 | WASHER | 4 | SN:K40001-- |
| 31 | 01580-31008 | NUT | 8 | SN:K40001-- |
| 32 | 01010-81030 | BOLT | 4 | SN:K40001-- |
| 33 | 20K-03-31121 | RING | 1 | SN:K40001-- |
| 34 | 01010-81025 | BOLT | 6 | SN:K40001-- |
| 35 | 175-54-34170 | WASHER | 6 | SN:K40001-- |
| 36 | 01580-11210 | NUT | 1 | SN:K40001-- |
| 37 | 20K-03-31520 | SPACER | 3 | SN:K40001-- |
| 38 | 01643-31232 | WASHER | 1 | SN:K40001-- |
| 39 | 175-54-34170 | WASHER | 2 | SN:K40001-- |
| 40 | 01010-81250 | BOLT | 3 | SN:K40001-- |
| 41 | 20K-03-31182 | TUBE,OUTLET | 1 | SN:K40001-- |
| 42 | 20K-03-31172 | TUBE,INLET | 1 | SN:K40001-- |
| 43 | 01010-81275 | BOLT | 8 | SN:K40001-- |
| 44 | 01643-31232 | WASHER | 8 | SN:K40001-- |
| 45 | 07000-13045 | O-RING | 2 | SN:K40001-- |
| 46 | 20K-03-31270 | CAP | 1 | SN:K40001-- |



**PW200-7K-KA S/N K40001-UP
COOLING (SUB TANK)**

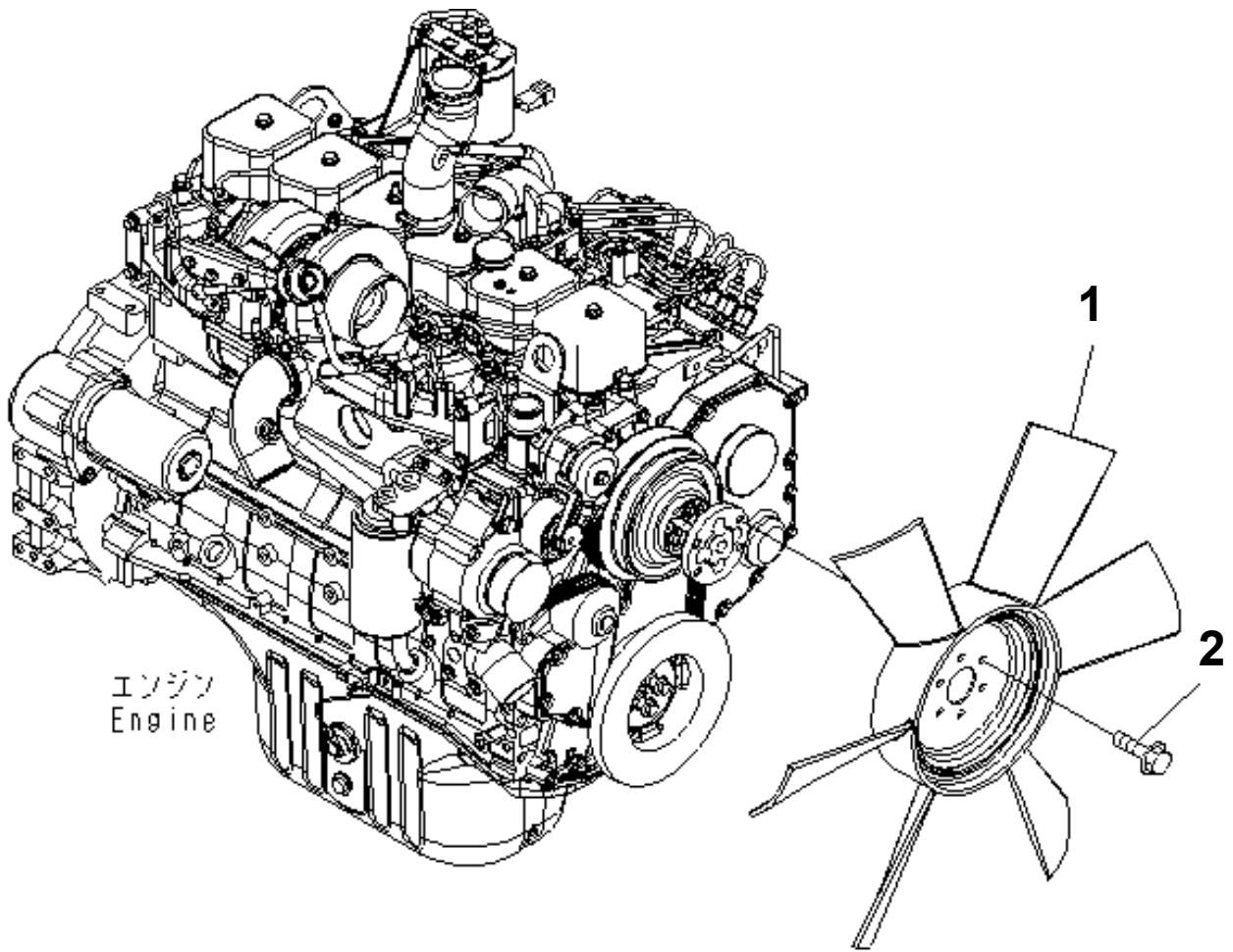
| Item | Part No. | Description | Qty | Options |
|------|--------------|-------------|-----|-------------|
| 1 | 20Y-06-15240 | TANK ASS'Y | 1 | SN:K40001-- |
| 2 | 205-03-71532 | · CAP | 1 | SN:K40001-- |
| | 205-03-71540 | · · PACKING | 1 | SN:K40001-- |
| 3 | 20K-03-31750 | HOSE | 1 | SN:K40001-- |
| 4 | 20E-03-K1190 | CLIP | 3 | SN:K40001-- |
| 5 | 20E-03-K1110 | BRACKET | 1 | SN:K40001-- |
| 6 | 01010-80825 | BOLT | 2 | SN:K40001-- |
| 7 | 01643-30823 | WASHER | 2 | SN:K40001-- |
| 8 | 20K-03-31740 | HOSE | 1 | SN:K40001-- |
| 9 | 04434-51510 | CLIP | 3 | SN:K40001-- |
| 10 | 01010-81020 | BOLT | 3 | SN:K40001-- |
| 11 | 01643-31032 | WASHER | 3 | SN:K40001-- |
| 12 | 04434-51510 | CLIP | 2 | SN:K40001-- |
| 13 | 01010-81020 | BOLT | 2 | SN:K40001-- |
| 14 | 01643-31032 | WASHER | 2 | SN:K40001-- |
| 15 | 08037-01610 | GROMMET | 1 | SN:K40001-- |



0 0 0 0 2 4 5 0

PW200-7K-KA S/N K40001-UP
COOLING (RADIATOR AND CHARGE OIL COOLER HOSE)

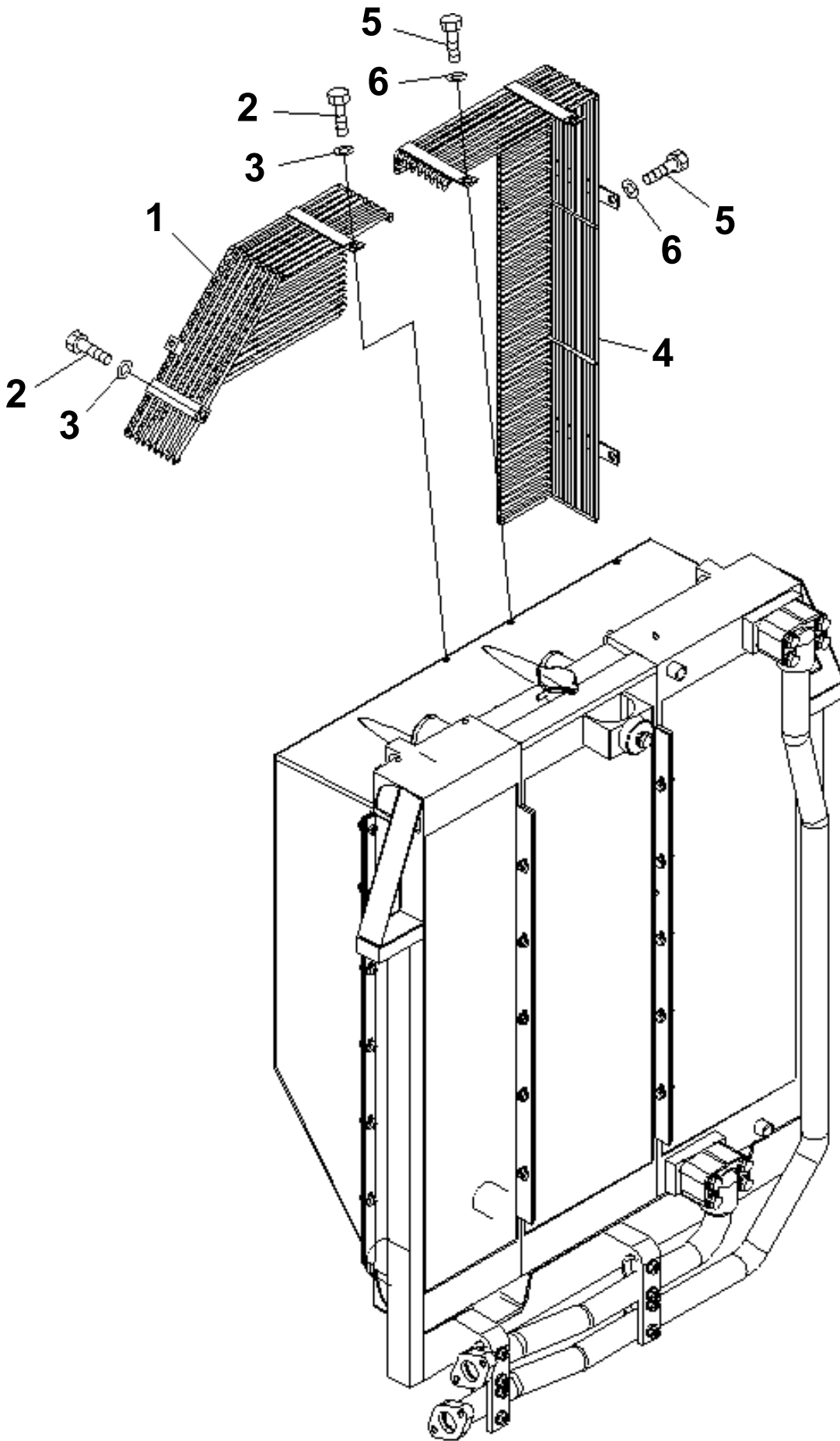
| Item | Part No. | Description | Qty | Options |
|------|--------------|-------------|-----|-------------|
| 1 | 20K-03-31191 | HOSE,INLET | 1 | SN:K40001-- |
| 2 | 07281-00709 | CLAMP | 1 | SN:K40001-- |
| 3 | 07281-00709 | CLAMP | 1 | SN:K40001-- |
| 4 | 20K-03-31212 | HOSE,OUTLET | 1 | SN:K40001-- |
| 5 | 07281-00709 | CLAMP | 1 | SN:K40001-- |
| 6 | 07281-00809 | CLAMP | 1 | SN:K40001-- |
| 7 | 20K-03-31221 | HOSE,INLET | 1 | SN:K40001-- |
| 8 | 07281-00809 | CLAMP | 1 | SN:K40001-- |
| 9 | 07281-00809 | CLAMP | 1 | SN:K40001-- |
| 10 | 20K-03-31231 | HOSE,OUTLET | 1 | SN:K40001-- |
| 11 | 07281-00809 | CLAMP | 1 | SN:K40001-- |
| 12 | 07281-00809 | CLAMP | 1 | SN:K40001-- |



0 0 0 0 2 4 5 1

**PW200-7K-KA S/N K40001-UP
COOLING (FAN)**

| Item | Part No. | Description | Qty | Options |
|------|--------------|-------------|-----|-------------|
| 1 | 20K-03-31490 | FAN | 1 | SN:K40001-- |
| 2 | 01435-01025 | BOLT | 4 | SN:K40001-- |



Thank you so much for reading.
Please click the “Buy Now!”
button below to download the
complete manual.



After you pay.

You can download the most
perfect and complete manual in
the world immediately.

Our support email:

ebooklibonline@outlook.com